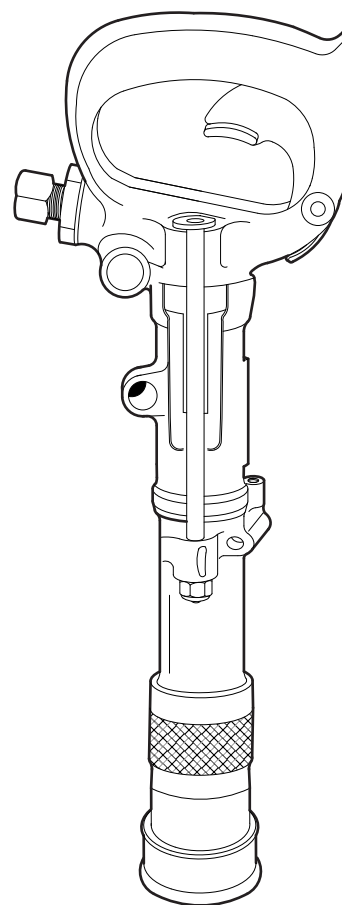


Safety and operating instructions

Handheld rotary hammers CP 0009, CP 0014

- (FR)** Prescriptions de sécurité et instructions pour l'opérateur
Marteaux perforateurs portatifs
- (DE)** Sicherheits- und Betriebsanleitung
Hand-Rotationshammer
- (ES)** Instrucciones de seguridad y de funcionamiento
Martillos giratorios manuales
- (PT)** Instruções de segurança e operação
Perfuradores e demolidores rotativos manuais
- (IT)** Istruzioni per la sicurezza e per l'uso
Martelli manuali a rotazione
- (NL)** Veiligheidsvoorschriften en bedieningshandleiding
Handbediende klopboren
- (GR)** Οδηγίες ασφάλειας και χειρισμού
Φορητές περιστροφικές σφύρες
- (FI)** Turvallisuusohjeet ja käyttöohje
Käsitönnäiset vasaramurskaimet
- (DK)** Sikkerhedsinstruktioner og betjeningsvejledning
Håndholdte borehamre
- (NO)** Sikkerhetsinstrukser og bruksanvisning
Håndholdte roterende hammere
- (SE)** Säkerhetsinstruktion och instruktionsbok
Handhållna borrhammare



www.CrowderSupply.com • Toll Free: 888-883-5144

Crowder Supply Co., Inc. • 8495 Roslyn St., Commerce City, CO 80022 • Toll Free: 888-883-5144 • www.CrowderSupply.com

Contents

ENGLISH	4
FRANÇAIS	24
DEUTSCH www.CrowderSupply.com • Toll Free: 888-883-5144	46
ESPAÑOL	68
PORTUGUÊS	90
ITALIANO	112
NEDERLANDS	134
ΕΛΛΗΝΙΚΑ	156
SUOMI	180
DANSK	200
NORSK	220
SVENSKA	240

ENGLISH

Contents

Introduction www.CrowderSupply.com • Toll Free: 888-883-5144 5

About the Safety and operating instructions 5

Safety instructions 6

- Safety signal words 6
- Personal precautions and qualifications 6
- Installation, precautions 6
- Operation, precautions 7
- Maintenance, precautions 11
- Storage, precautions 11

Overview 12

- Design and function 12
- Main parts 12
- Labels 12

Installation 13

- Unpacking the drill 13
- Hoses and connections 13
- Methods to prevent freezing 13
- Connecting a water separator 14
- Lubrication 14
- Insertion tool 14

Operation 17

- Preparations before starting 17
- Start and stop 17
- Operating 18
- When taking a break 18

Maintenance 18

- Every day 19
- Periodic maintenance 19
- Tightening torques 19
- Assembly 19

Storage 20

Disposal 20

Technical data 21

- Machine data 21
- Noise and vibration declaration statement 21
- Noise and vibration data 22

EC Declaration of Conformity 23

- EC Declaration of Conformity (EC Directive 2006/42/EC) 23

Crowder Supply Co., Inc. • 8495 Roslyn St., Commerce City, CO 80022 • Toll Free: 888-883-5144 • www.CrowderSupply.com

Introduction

Thank you for choosing Chicago Pneumatic brand products. For over a century, the Chicago Pneumatic brand has represented performance and innovation in the pneumatic tool industry. www.CrowderSupply.com • Toll Free: 888-883-5144

Today the brand is found around the world on a range of pneumatic and hydraulic tools that includes breakers, rock drills, chipping hammers, clay-diggers, picks and busters, scabblers, pumps and a whole lot more.

The Chicago Pneumatic brand is associated with powerful and reliable products that are easy to maintain and that give good value for the money.

For more information please visit www.cp.com

Atlas Copco Construction Tools AB
105 23 Stockholm
Sweden

About the Safety and operating instructions

The aim of the instructions is to provide you with knowledge of how to use the rock drill in an efficient, safe way. The instructions also give you advice and tell you how to perform regular maintenance on the rock drill.

Before using the rock drill for the first time you must read these instructions carefully and understand all of them.

Safety instructions

To reduce the risk of serious injury or death to yourself or others, read and understand the Safety and operating instruction before installing, operating, repairing, maintaining, or changing accessories on the machine.

Post this Safety and operating instruction at work locations, provide copies to employees, and make sure that everyone reads the Safety and operating instruction before operating or servicing the machine.

In addition, the operator or the operator's employer must assess the specific risks that may be present as a result of each use of the machine.

Safety signal words

The safety signal words Danger, Warning and Caution have the following meanings:

DANGER	Indicates a hazardous situation which, if not avoided, will result in death or serious injury.
WARNING	Indicates a hazardous situation which, if not avoided, could result in death or serious injury.
CAUTION	Indicates a hazardous situation which, if not avoided, could result in minor or moderate injury.

Personal precautions and qualifications

Only qualified and trained persons may operate or maintain the machine. They must be physically able to handle the bulk, weight, and power of the tool. Always use your common sense and good judgement.

Personal protective equipment

Always use approved protective equipment. Operators and all other persons in the working area must wear protective equipment, including at a minimum:

- > Protective helmet
- > Hearing protection
- > Impact resistant eye protection with side protection
- > Respiratory protection when appropriate
- > Protective gloves

- > Proper protective boots
- > Appropriate work overall or similar clothing (not loose-fitting) that covers your arms and legs.

Drugs, alcohol or medication

▲ WARNING Drugs, alcohol or medication

Drugs, alcohol or medication may impair your judgment and powers of concentration. Poor reactions and incorrect assessments can lead to severe accidents or death.

- ▶ Never use the machine when you are tired or under the influence of drugs, alcohol or medication.
- ▶ No person who is under the influence of drugs, alcohol or medication may operate the machine.

Installation, precautions

▲ DANGER Whipping air hose

A compressed air hose that comes loose can lash around and cause personal injury or death. To reduce this risk:

- ▶ Check that the compressed air hose and the connections are not damaged, replace if necessary.
- ▶ Check that all compressed air connections are properly attached.
- ▶ Never carry a pneumatic machine by the air hose.
- ▶ Never attempt to disconnect a compressed air hose that is pressurized. First switch off the compressed air at the compressor and then bleed the machine by activating the start and stop device.
- ▶ Never point a compressed air hose at yourself or anyone else. To avoid the risk of getting injured, never use compressed air to blow for example dust, dirt etc. from your clothes.
- ▶ Do not use quick disconnect couplings at tool inlet. Use hardened steel (or material with comparable shock resistance) threaded hose fittings.
- ▶ Whenever universal twist couplings (claw couplings) are used, we recommend that lock pins are installed and whipcheck safety cables are used to safeguard against possible hose to tool and hose to hose connection failure.

▲ WARNING Ejected insertion tool

If the tool retainer on the machine is not in a locked position, the inserted tool can be ejected with force, which can cause personal injury.

- ▶ Never start the machine while changing the insertion tool.
- ▶ Before changing the insertion tool or accessories, stop the machine, switch off the power supply and bleed the machine by activating the start and stop device.
- ▶ Never point the inserted tool at yourself or anyone else.
- ▶ Make sure that the insertion tool is fully inserted and the tool retainer is in a locked position before the machine is started.
- ▶ Check the locking function by pulling the inserted tool outwards forcefully.

▲ WARNING Moving or slipping insertion tool

An incorrect dimension of the inserted tool's shank can result in that the inserted tool is lost or is slipping out during operation. Risk of severe injury or crushed hands and fingers.

- ▶ Check that the insertion tool has the shank length and dimensions that the machine is intended for.
- ▶ Never use an insertion tool without a collar.

Operation, precautions**▲ DANGER Explosion hazard**

If a warm insertion tool comes into contact with explosives, an explosion could occur. During operation with certain materials as well as use of certain materials in machine parts, sparks and ignition can occur. Explosions will lead to severe injuries or death.

- ▶ Never operate the machine in any explosive environment.
- ▶ Never use the machine near flammable materials, fumes or dust.
- ▶ Make sure that there are no undetected sources of gas or explosives.
- ▶ Never drill in an old hole.

▲ WARNING Unexpected movements

The inserted tool is exposed to heavy strains when the machine is used. The inserted tool may break due to fatigue after a certain amount of use. If the inserted tool breaks or gets stuck, there may be unexpected movement that can cause injuries. Furthermore, losing your balance or slipping may cause injury.

- ▶ Make sure that you always keep a stable position with your feet as far apart as your shoulder width, and keeping a balanced body weight.
- ▶ Always inspect the equipment prior to use. Never use the equipment if you suspect that it is damaged.
- ▶ Make sure that the handles are clean and free of grease and oil.
- ▶ Keep your feet away from the inserted tool.
- ▶ Stand firmly and always hold on to the machine with both hands.
- ▶ Never drill in an old hole.
- ▶ Never start the machine when it is lying on the ground.
- ▶ Never 'ride' on the machine with one leg over the handle.
- ▶ Never strike or abuse the equipment.
- ▶ Check regularly for wear on the insertion tool, and check whether there are any signs of damage or visible cracks.
- ▶ Pay attention and look at what you are doing.

▲ WARNING Stalling hazard

If the insertion tool gets caught during operation, the whole machine will start to rotate if you lose your grip on it. This unexpected rotation of the entire machine may cause serious injury or death.

- ▶ Stand firmly and always hold onto the machine with both hands.
- ▶ Make sure that the handle or handles are clean and free from grease and oil.
- ▶ Never drill in an old hole.

▲ WARNING Trapping hazard

There is risk of neck ware, hair, gloves and clothes getting dragged into or caught by a rotating insertion tool or accessories. This may cause choking, scalping, lacerations or death. To reduce the risk:

- ▶ Never grab or touch a rotating or moving part.
- ▶ Avoid wearing clothing, neck ware or gloves that may get caught.
- ▶ Cover long hair with a hair net.

▲ WARNING Dust and fume hazard

Dusts and/or fumes generated or dispersed when using the machine may cause serious and permanent respiratory disease, illness, or other bodily injury (for example, silicosis or other irreversible lung disease and cancer, birth defects, and/or skin inflammation).

Some dusts and fumes created by drilling, breaking, hammering, sawing, grinding and other construction activities contain substances known to the State of California and other authorities to cause respiratory disease, cancer, birth defects, or other reproductive harm. Some examples of such substances are:

- > Crystalline silica, cement, and other masonry products.
- > Arsenic and chromium from chemically-treated rubber.
- > Lead from lead-based paints.

Dust and fumes in the air can be invisible to the naked eye, so do not rely on eye sight to determine if there is dust or fumes in the air.

To reduce the risk of exposure to dust and fumes, do all of the following:

- ▶ Perform site-specific risk assessment. The risk assessment should include dust and fumes created by the use of the machine and the potential for disturbing existing dust.
- ▶ Use proper engineering controls to minimize the amount of dust and fumes in the air and to minimize build-up on equipment, surfaces, clothing, and body parts. Examples of controls include: exhaust ventilation and dust collection systems, water sprays, and wet drilling. Control dusts and fumes at the source where possible. Make sure that controls are properly installed, maintained and correctly used.
- ▶ Wear, maintain and correctly use respiratory protection as instructed by your employer and as required by occupational health and safety regulations. The respiratory protection must be effective for the type of substance at issue (and if applicable, approved by relevant governmental authority).
- ▶ Work in a well ventilated area.
- ▶ If the machine has an exhaust, direct the exhaust so as to reduce disturbance of dust in a dust filled environment.
- ▶ Operate and maintain the machine as recommended in the operating and safety instructions

- ▶ Select, maintain and replace consumables/ inserted tools/ other accessory as recommended in the operating and safety instructions. Incorrect selection or lack of maintenance of consumables/ inserted tools/ other accessories may cause an unnecessary increase in dust or fumes.
- ▶ Wear washable or disposable protective clothes at the worksite, and shower and change into clean clothes before leaving the worksite to reduce exposure of dust and fumes to yourself, other persons, cars, homes, and other areas.
- ▶ Avoid eating, drinking, and using tobacco products in areas where there is dust or fumes.
- ▶ Wash your hands and face thoroughly as soon as possible upon leaving the exposure area, and always before eating, drinking, using tobacco products, or making contact with other persons.
- ▶ Comply with all applicable laws and regulations, including occupational health and safety regulations.
- ▶ Participate in air monitoring, medical examination programs, and health and safety training programs provided by your employer or trade organizations and in accordance with occupational health and safety regulations and recommendations. Consult with physicians experienced with relevant occupational medicine.
- ▶ Work with your employer and trade organization to reduce dust and fume exposure at the worksite and to reduce the risks. Effective health and safety programs, policies and procedures for protecting workers and others against harmful exposure to dust and fumes should be established and implemented based on advice from health and safety experts. Consult with experts.

▲ **WARNING** **Projectiles**

Failure of the work piece, of accessories, or even of the machine itself may generate high velocity projectiles. During operating, splinters or other particles from the working material may become projectiles and cause personal injury by striking the operator or other persons. To reduce these risk:

- ▶ Use approved personal protective equipment and safety helmet, including impact resistant eye protection with side protection.
- ▶ Make sure that no unauthorised persons trespass into the working zone.
- ▶ Keep the workplace free from foreign objects.
- ▶ Ensure that the work piece is securely fixed.

▲ **WARNING** **Splinters hazard**

Using the insertion tool as a hand struck tool can result in splinters hitting the operator and can cause personal injury.

- ▶ Never use a insertion tool as a hand struck tool. They are specifically designed and heat-treated to be used only in a machine.

▲ **WARNING** **Slipping, tripping and falling hazards**

There is a risk of slipping or tripping or falling, for example tripping on the hoses or on other objects. Slipping or tripping or falling can cause injury. To reduce this risk:

- ▶ Always make sure that no hose or other object is in your way or in any other person's way.
- ▶ Always make sure you are in a stable position with your feet as far apart as your shoulders width and keeping a balanced body weight.

▲ **WARNING** **Motion hazards**

When using the machine to perform work-related activities, you may experience discomfort in the hands, arms, shoulders, neck, or other parts of the body.

- ▶ Adopt a comfortable posture whilst maintaining secure footing and avoiding awkward off-balanced postures.
- ▶ Changing posture during extended tasks may help avoid discomfort and fatigue.
- ▶ In case of persistent or recurring symptoms, consult a qualified health professional.

▲ WARNING Vibration hazards

Normal and proper use of the machine exposes the operator to vibration. Regular and frequent exposure to vibration may cause, contribute to, or aggravate injury or disorders to the operator's fingers, hands, wrists, arms, shoulders and/or permanent injuries or disorders that may develop gradually over periods of weeks, months, or years. Such injuries or disorders may include damage to the blood circulatory system, damage to the nervous system, damage to joints, and possibly damage to other body structures.

If numbness, persistent recurring discomfort, burning sensation, stiffness, throbbing, tingling, pain, clumsiness, weakened grip, whitening of the skin, or other symptoms occur at any time, when operating the machine or when not operating the machine, stop operating the machine, tell your employer and seek medical attention. Continued use of the machine after the occurrence of any such symptom may increase the risk of symptoms becoming more severe and/or permanent.

Operate and maintain the machine as recommended in these instructions, to prevent an unnecessary increase in vibration.

The following may help to reduce exposure to vibration for the operator:

- ▶ Let the tool do the job. Use a minimum hand grip consistent with proper control and safe operation.
- ▶ If the machine has vibration absorbing handles, keep them in a central position, avoid pressing the handles into the end stops.
- ▶ When the percussion mechanism is activated, the only body contact with the machine you should have are your hands on the handle or handles. Avoid any other contact, for example supporting any part of the body against the machine or leaning onto the machine trying to increase the feed force. It is also important not to keep the start and stop device engaged while extracting the tool from the broken work surface.
- ▶ Make sure that the inserted tool is well-maintained (including sharpness, if a cutting tool), not worn out, and of the proper size. Insertion tools that are not well-maintained, or that are worn out, or that are not of the proper size result in longer time to complete a task (and a longer period of exposure to vibration) and may result in or contribute to higher levels of vibration exposure.

- ▶ Immediately stop working if the machine suddenly starts to vibrate strongly. Before resuming the work, find and remove the cause of the increased vibrations.
- ▶ Never grab, hold or touch the inserted tool when using the machine.
- ▶ Participate in health surveillance or monitoring, medical exams and training programs offered by your employer and when required by law.
- ▶ When working in cold conditions wear warm clothing and keep hands warm and dry.

See the "Noise and vibration declaration statement" for the machine, including the declared vibration values. This information can be found at the end of these Safety and operating instructions.

- ◆ Comply with the recommended air-pressure when operating the machine. Either higher or lower air-pressure has the potential of resulting in higher levels of vibration.

▲ DANGER Electrical hazard

The machine is not electrically insulated. If the machine comes into contact with electricity, serious injuries or death may result.

- ▶ Never operate the machine near any electric wire or other source of electricity.
- ▶ Make sure that there are no concealed wires or other sources of electricity in the working area.

▲ WARNING Concealed object hazard

During operating, concealed wires and pipes constitute a danger that can result in serious injury.

- ▶ Check the composition of the material before operating.
- ▶ Watch out for concealed cables and pipes for example electricity, telephone, water, gas and sewage lines etc.
- ▶ If the inserted tool seems to have hit a concealed object, switch off the machine immediately.
- ▶ Make sure that there is no danger before continuing.

▲ WARNING Involuntary start

Involuntary start of the machine may cause injury.

- ▶ Keep your hands away from the start and stop device until you are ready to start the machine.
- ▶ Learn how the machine is switched off in the event of an emergency.
- ▶ Release the start and stop device immediately in all cases of power supply interruption.
- ▶ Whenever fitting or removing the insertion tool, switch off the air supply, bleed the machine by pressing the start and stop device and disconnect the machine from the power source.

▲ WARNING Noise hazard

High noise levels can cause permanent and disabling hearing loss and other problems such as tinnitus (ringing, buzzing, whistling or humming in the ears). To reduce risk and prevent an unnecessary increase in noise levels:

- ▶ Risk assessment of these hazards and implementation of appropriate controls is essential.
- ▶ Operate and maintain the machine as recommended in these instructions.
- ▶ Select, maintain and replace the insertion tool as recommended in these instructions.
- ▶ If the machine has a muffler, check that it is in place and in good working condition.
- ▶ Always use hearing protection.
- ▶ Use damping material to prevent work pieces from "ringing".

Maintenance, precautions**▲ WARNING Machine modification**

Any machine modification may result in bodily injuries to yourself or others.

- ▶ Never modify the machine. Modified machines are not covered by warranty or product liability.
- ▶ Always use original parts, insertion tools, and accessories.
- ▶ Change damaged parts immediately.
- ▶ Replace worn components in good time.

▲ CAUTION Hot insertion tool

The tip of the insertion tool can become hot and sharp when used. Touching it can lead to burns and cuts.

- ▶ Never touch a hot or sharp insertion tool.
- ▶ Wait until the insertion tool has cooled down before carrying out maintenance work.

▲ WARNING Insertion tool hazards

Accidental engagement of the start and stop device during maintenance or installation can cause serious injuries, when the power source is connected.

- ▶ Never inspect, clean, install, or remove the insertion tool while the power source is connected.

Storage, precautions

- ◆ Keep the machine and tools in a safe place, out of the reach of children and locked up.

Overview

To reduce the risk of serious injury or death to yourself or others, read the Safety instructions section found on the previous pages of this manual before operating the machine.

Design and function

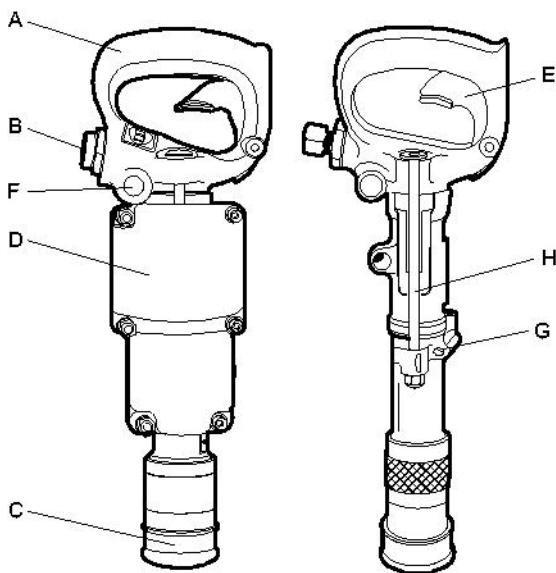
CP 0009 and CP 0014 are combined drilling and breaking machines, designed for horizontal and vertical use.

CP 0009 is equipped with a quick-change retainer and has right-hand rotation. The machine can be adapted for drilling or breaking by changing the insertion tool or by activating the rotation release depending on model. Examples of use are drilling, chipping or chasing in concrete or brick. No other use is permitted.

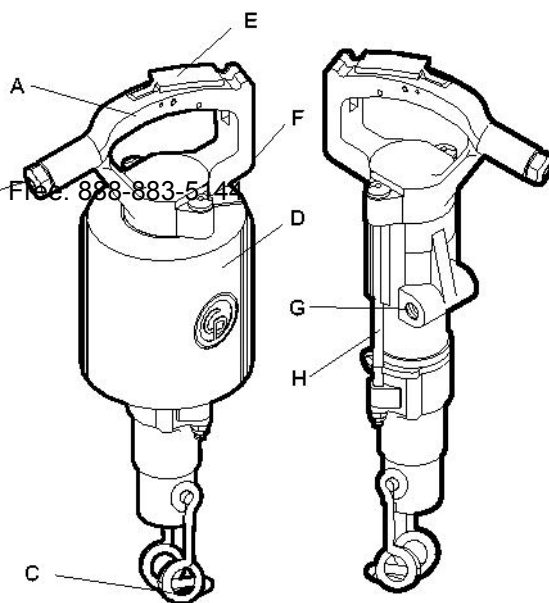
CP 0014 is equipped with a spring type retainer and has right-hand rotation. The machine can be adapted for drilling or breaking by activating the rotation release. Example of use as a rock drill are drilling in granite, concrete, limestone, or brick, or other similar materials. As a hammer can it be used for chipping or chasing in concrete or brick. No other use is permitted.

To choose the correct insertion tool, see the spare parts list.

Main parts



CP 0009



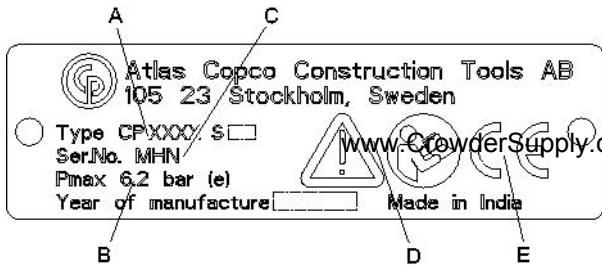
CP 0014

- A. Handle
- B. Air inlet nipple
- C. Tool retainer
- D. Muffler
- E. Start and stop device
- F. Lubricator
- G. Rotation release
- H. Side bolt

Labels

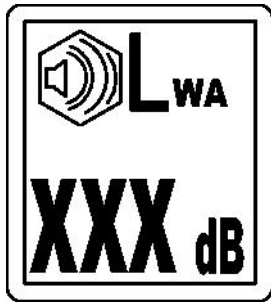
The machine is fitted with labels containing important information about personal safety and machine maintenance. The labels must be in such condition that they are easy to read. New labels can be ordered from the spare parts list.

Data plate



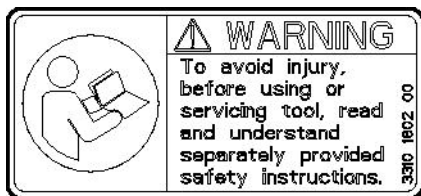
- A. Machine type
- B. Maximum permitted compressed air pressure
- C. Serial number
- D. The warning symbol together with the book symbol means that the user must read the safety and operating instructions before the machine is used for the first time.
- E. The CE symbol means that the machine is EC-approved. See the EC declaration which is delivered with the machine for more information. If the CE symbol is missing, it means that the machine is not EC-approved.

Noise level label



The label indicates the guaranteed noise level corresponding to EC-directive 2000/14/EC. See "Technical data" for accurate noise level.

Safety label



To avoid injury, before using or servicing tool, read and understand separately provided safety instructions.

Installation

Unpacking the drill

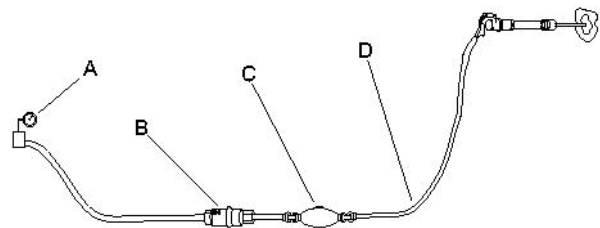
Plastic guards

Before the drill is used for the first time remove all the plastic guards from the hose nipples.

Lubricate

After unpacking and installing the tool, pour a liberal amount of lubrication oil in the air connection.

Hoses and connections



- A. Compressed air source
 - B. Water separator (optional)
 - C. Oiler (optional)
 - D. Max. 10 feet (3 meter) compressed air hose between the oiler and the machine.
- ◆ Check that you are using the correct recommended operating pressure, 87 psig (6 bar (e)).
 - ◆ The maximum permissible air pressure, 90 psig (6.2 bar (e)), must not be exceeded.
 - ◆ Blow any impurities out of the compressed air hose before connecting it to the machine.
 - ◆ Select the correct dimension and length for the compressed air hose. For hose lengths up to 100 feet (30 meters), a hose with a minimum internal diameter of 3/4" (19 mm) should be used. If the hose length is between 100 and 330 feet (30 and 100 meters), a hose with a minimum internal diameter of 1" (25 mm) should be used.

Methods to prevent freezing

Ice formation in the muffler can occur when the ambient air temperature is 32-50 °F (0-10°C) and the relative humidity is high.

Crowder Supply Co., Inc. • 8495 Roslyn St., Commerce City, CO 80022 • Toll Free: 888-883-5144 • www.CrowderSupply.com

The machine is designed to avoid the formation of ice in the muffler. Despite this, under extreme conditions ice can form in the muffler.

To further counteract the risk of ice formation, use a water separator.

www.CrowderSupply.com • Toll Free: 888-883-5144

Connecting a water separator

The length of the air hose between the compressor and the water separator must be such that the water vapor is cooled and condenses in the hose before reaching the water separator.

If the ambient temperature is below 32 °F (0 °C) the hose must be short enough to prevent the water from freezing before reaching the water separator.

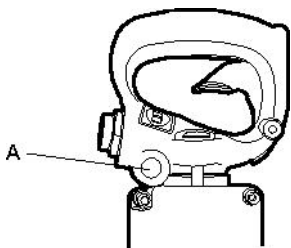
Lubrication

The lubricant is important for the machine's function and has a great impact on the service life.

Indications of proper lubrication are the presence of oil mist in the exhaust air and of slight traces of oil on the drill or adapter shank. Too much lubrication can cause starting problems, low power or uneven performance.

In order to supply the correct volume of oil, the built in oiler should be checked and filled regularly. In addition, use of an air line oiler is recommended to assure a constant and adequate supply of lubricant.

Recommended Lubricant: Rockdrill oil with a viscosity of 100-150 SUS at 100°F (ISO VG 22–32).



CP 0009

Daily before using and after each four hours of service, remove the plug (A) and saturate the felt and fill the oil receiver with recommended oil.



CP 0014

Daily before using and after each four hours of service, remove the plug (B) and fill the oil receiver with recommended oil.

Insertion tool

▲ CAUTION Hot insertion tool

The tip of the insertion tool can become hot and sharp when used. Touching it can lead to burns and cuts.

- ▶ Never touch a hot or sharp insertion tool.
- ▶ Wait until the insertion tool has cooled down before carrying out maintenance work.

Selecting the right insertion tool

Selecting the right insertion tool is a precondition for proper machine function. It is important to select insertion tools of high quality to avoid unnecessary machine damage.

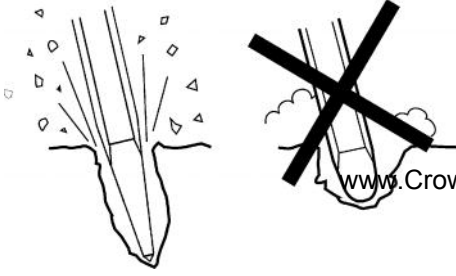
The machine can be destroyed if you use an incorrect insertion tool.

Recommended insertion tools are listed in the machine's spare parts list.

▲ WARNING Vibration hazard

Using inserted tools that do not fulfil the criterias mentioned below, will result in a longer time to complete a task, and may result in higher levels of vibration exposure. A worn tool will also cause increased working time.

- ▶ Make sure that the inserted tool is well-maintained, not worn out and of the proper size.
- ▶ Always use a sharp tool in order to work efficiently.



NOTICE Never cool a hot insertion tool in water, it can result in brittleness and early failure.

▲ WARNING Ejected insertion tool

If the tool retainer on the machine is not in a locked position, the inserted tool can be ejected with force, which can cause personal injury.

- ▶ Before changing the insertion tool, stop the machine, switch off the compressed air supply and bleed the machine by activating the start and stop device.

Before fitting the insertion tool

Check that the tool shank is of the correct size and length for the chuck used. The shank must be clean and the tool must be in good condition. Shanks which are chipped, rounded, out of square or too hard on the striking end will operate inefficiently and cause premature piston failure.

Inspect the drill steel:

A dull drill steel will slow down the drilling speed and overstrain the drill mechanism. When changing drill steel make sure that the new one is the correct size to follow your previous bore.

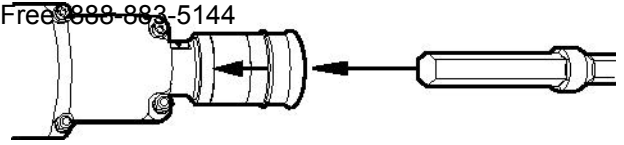
Before drilling, check that the flushing hole in the drill steel is not blocked.

NOTICE If burrs are raised around the four ball slots in the shank of the insertion tool, polish them smoothly. It will result in easier entry and removal of the insertion tool, and also an efficient operation of the chuck.

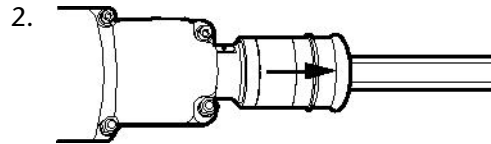
Fitting the insertion tool

Whenever fitting the insertion tool the following instructions must be observed:

CP 0009
Toll Free 888-883-5144



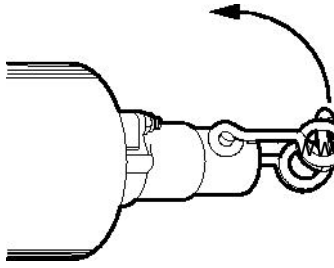
Pull the tool retainer and hold it backwards in the direction of the arrow, insert the insertion tool in the chuck at the same time.



When the insertion tool bottoms, lock the tool retainer by releasing it. Check the lock function by pulling the inserted tool sharply outwards.

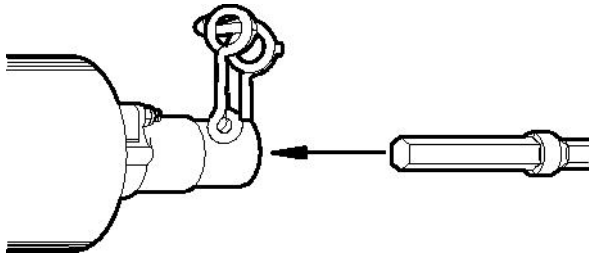
CP 0014

1.



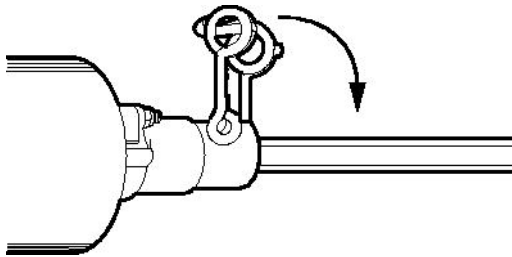
Push the tool retainer upwards in the direction of the arrow.

2.



Insert the insertion tool in the chuck.

3.

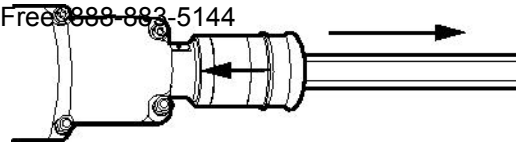


When the insertion tool bottoms, push back the tool retainer to lock it.

Removing the insertion tool

Whenever removing the insertion tool the following instructions must be observed:

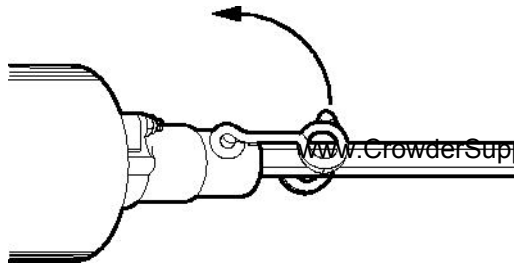
CP 0009



Pull the tool retainer and hold it backwards in the direction of the arrow, remove at the same time the insertion tool by pulling it out.

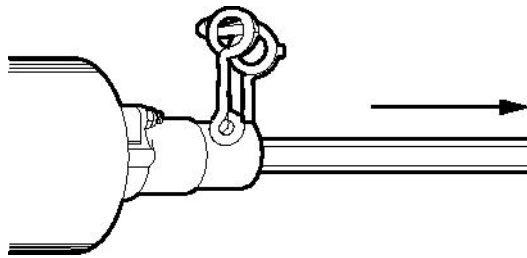
CP 0014

1.



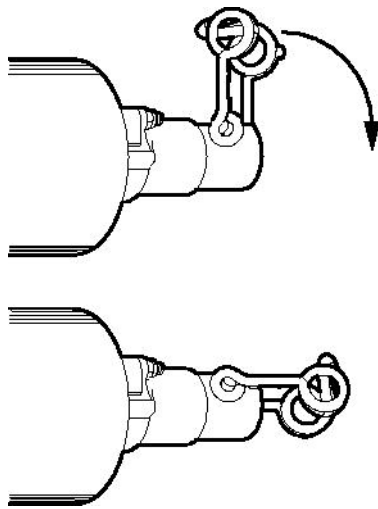
Push the tool retainer upwards in the direction of the arrow.

2.



Pull the insertion tool out.

3.



Push back the tool retainer.

Operation

Preparations before starting

Check the equipment

- ◆ Check that all of the equipment is in good condition.
- ◆ Check that the impact surface of the insertion tool shank is flat, with no signs of wear.
- ◆ Make sure that the air inlet and exhaust ports are free from obstructions.
- ◆ Check that the flushing hole in the drill steel is not blocked, and that the flushing air flows through without obstruction.
- ◆ Ensure that the fittings are tight and leak-proof.

▲ DANGER Whipping air hose

A compressed air hose that comes loose can lash around and cause personal injury or death

- ▶ Check that the compressed air hose and the connections are not damaged.
- ▶ Check that all compressed air connections are properly attached.

Blow out the air hose

- ◆ Every day before using the drill, blow out the air hose to clear it of accumulated dirt and moisture.

Fill the lubricator with oil

- ◆ Check that the chuck and insertion tool shank are always covered with a film of oil.

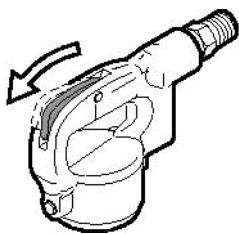
Start and stop

▲ WARNING Involuntary start

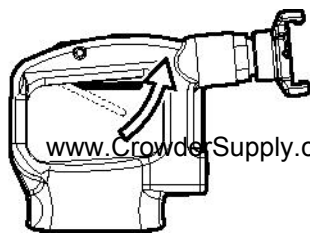
Involuntary start of the machine may cause injury.

- ▶ Keep your hands away from the start and stop device until you are ready to start the machine.
- ▶ Learn how the machine is switched off in the event of an emergency.
- ▶ Stop the machine immediately in all cases of power supply interruption.

Start and stop

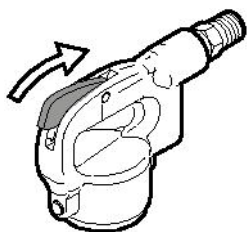


CP 0014

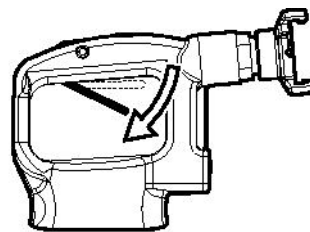


CP 0009

Start the machine by squeezing the trigger while firmly holding the handle.



CP 0014



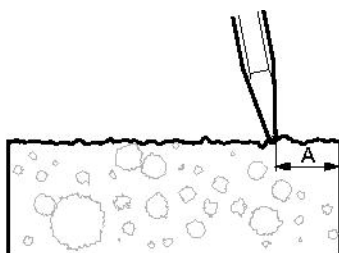
CP 0009

Stop the machine by releasing the trigger. The trigger returns automatically to the stop position.

Operating

Starting a cut

- ◆ Stand in a stable position with your feet well away from the inserted tool.
- ◆ Press the machine against the working surface before you start.
- ◆ Start collaring at such a distance from the edge that the machine is capable of breaking the material without levering.
- ◆ Never try to break off too large pieces. Adjust the breaking distance (A) so that the inserted tool does not get stuck.



Breaking and drilling

- ◆ Use protective shoes, gloves, helmet, ear protectors, and impact resistant eye protection with side protection.
- ◆ Avoid working on extremely hard materials for example granite and reinforcing iron (re-bar) which would cause substantial vibrations.
- ◆ Check regularly that the machine is well lubricated.
- ◆ When the machine is lifted, the start and stop device must not be activated.
- ◆ Any form of idling, operating without insertion tool or operating with an uplifted machine must be avoided.
- ◆ Stand firmly and always hold the machine with both hands.
- ◆ Hold the inserted tool firmly against the work surface before starting the machine.
- ◆ Let the machine do the work; do not press too hard.

When taking a break

- ◆ During all breaks you must place the machine in such a way that there is no risk for it to be unintentionally started.
- ◆ In the event of a longer break or when leaving the workplace: Switch off the power supply and then bleed the machine by activating the start and stop device.

Maintenance

Regular maintenance is a basic requirement for the continued safe and efficient use of the machine. Follow the maintenance instructions carefully.

- ◆ Before starting maintenance on the machine, clean it in order to avoid exposure to hazard substances. See “Dust and fume hazards”
- ◆ Use only authorised parts. Any damage or malfunction caused by the use of unauthorised parts is not covered by warranty or product liability.
- ◆ When cleaning mechanical parts with solvent, comply with appropriate health and safety regulations and ensure there is satisfactory ventilation.
- ◆ For major service to the machine, contact your nearest authorised workshop.
- ◆ After each service, check that the machine's vibration level is normal. If not, contact your nearest authorised workshop.

Every day

Before undertaking any maintenance or changing the insertion tool on pneumatic machines, always switch off the air supply and bleed the machine by depressing the start and stop device then disconnect the air hose from the machine.

- ◆ Clean and inspect the machine and its functions each day before the work commences.
- ◆ Conduct a general inspection for leaks and damage.
- ◆ Check that the air inlet nipple is tightened and that the claw coupling is free from damage.
- ◆ Check the function of the retainer. Make sure that it locks the insertion tool.
- ◆ Change damaged parts immediately.
- ◆ Replace worn components in good time.
- ◆ Check the side bolts of the machine. Make sure that they are tightened.
- ◆ If the machine is equipped with a muffler, check for damage.

Periodic maintenance

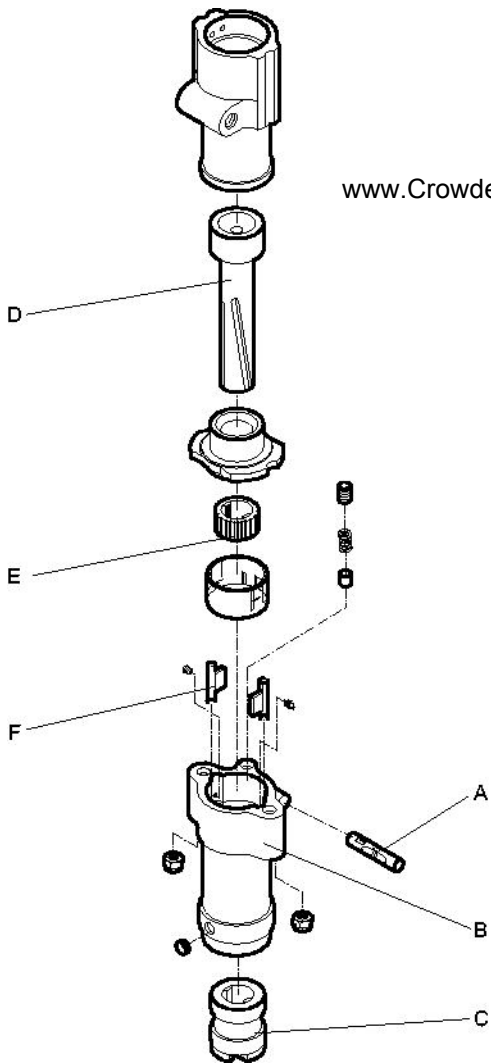
After each operating period of approximately 100 working hours or three times a year the machine must be dismantled and all parts be cleaned and checked. This work must be performed by authorized staff, trained for this task.

Tightening torques

CP 0009	Thru bolt nut	12-14 ft.lbf (16-19 Nm)
CP 0014	Thru bolt nut	20-23 ft.lbf (27-31 Nm)

Assembly

When assembly the machine, be aware of the following:



www.CrowderSupply.com • Toll Free: 888-883-5144

Storage

- > Clean the machine properly before storage, in order to avoid hazardous substances. See “Dust and fume hazard”
- > Pour approximately 1½ oz (5 cl) of oil directly into the air inlet nipple, connect the machine to the compressed air supply and start it for a few seconds.
- > Always store the machine in a dry place.

Disposal

A used machine must be treated and disposed of in such a way that the greatest possible portion of the material can be recycled and any negative influence on the environment is kept as low as possible, and in respect to local restrictions.

- ◆ Place the rotation release shifter plunger (A) in the fronthead (B) before assembling the chuck sleeve (C).
- ◆ Be sure that the straight spline on the piston (D) engages the straight spline on the chuck sleeve (C), and that the spiral spline on the piston (D) engages the spiral spline of the ratchet ring (E).
- ◆ Assemble the ratchet ring (E) in the fronthead (B), so that the flats of the ratchet teeth engage the end of the pawls (F).
- ◆ Tighten thru bolts evenly to prevent binding. After tightening, rotate the chuck manually to make sure that the rotation is free.

Technical data

Machine data

www.CrowderSupply.com • Toll Free: 888-883-5144

Type	Shank dimension in. (mm)	Weight lb (kg)	Piston bore in. (mm)	Stroke length in. (mm)	Overall length in. (mm)	Air consumption (6 bar) cfm (l/s)	Impact rate (6 bar) Hz (bpm)
CP 0009 A	Round ¾ x 3¾ (Round 19 x 95)	8.82 (4.0)	1.25 (31.8)	1.38 (35)	14.76 (375)	19 (9)	57 (3420)
CP 0009 AC	Round ¾ x 3¾ (Round 19 x 95)	8.82 (4.0)	1.25 (31.8)	1.38 (35)	14.76 (375)	19 (9)	57 (3420)
CP 0009 CS	Round ¾ x 3¾ (Round 19 x 95)	10.14 (4.6)	1.25 (31.8)	1.38 (35)	14.76 (375)	19 (9)	57 (3420)
CP 0009 E	Round ¾ - Hexagon ⅝ x 3½ (Round 19 - Hexagon 14.7 x 89)	8.82 (4.0)	1.25 (31.8)	1.38 (35)	14.76 (375)	19 (9)	57 (3420)
CP 0009 ES	Round ¾ - Hexagon ⅝ x 3½ (Round 19 - Hexagon 14.7 x 89)	10.14 (4.6)	1.25 (31.8)	1.38 (35)	14.76 (375)	19 (9)	57 (3420)
CP 0009 F	spline	8.82 (4.0)	1.25 (31.8)	1.38 (35)	14.76 (375)	19 (9)	57 (3420)
CP 0014 RR	Hexagon ⅞ x 3¾ (Hexagon 22 x 82.5)	14.77 (6.7)	1.87 (47.6)	1.38 (35)	18.50 (470)	47 (22)	42 (2520)
CP 0014 RRBS	Hexagon ⅞ x 3¾ (Hexagon 22 x 82.5)	15.87 (7.2)	1.87 (47.6)	1.38 (35)	18.50(470)	47 (22)	42 (2520)

Noise and vibration declaration statement

Guaranteed sound power level **L_w** according to ISO 3744 in accordance with directive 2000/14/EC.

Sound pressure level **L_p** according to ISO 11203.

Vibration value **A** and uncertainty **B** determined according to ISO 20643. See table "Noise and vibration data" for the values of A, B, etc.

These declared values were obtained by laboratory type testing in accordance with the stated directive or standards and are suitable for comparison with the declared values of other tools tested in accordance with the same directive or standards. These declared values are not suitable for use in risk assessments and values measured in individual work places may be higher. The actual exposure values and risk of harm experienced by an individual user are unique and depend upon the way the user works, in what material the machine is used, as well as upon the exposure time and the physical condition of the user, and the condition of the machine.

We, Atlas Copco Construction Tools AB, cannot be held liable for the consequences of using the declared values, instead of values reflecting the actual exposure, in an individual risk assessment in a work place situation over which we have no control.

This tool may cause hand-arm vibration syndrome if its use is not adequately managed. An EU guide to managing hand-arm vibration can be found at <http://www.humanvibration.com/EU/VIBGUIDE.htm>

We recommend a programme of health surveillance to detect early symptoms which may relate to vibration exposure, so that management procedures can be modified to help prevent future impairment.

Noise and vibration data

Model	Noise		Vibration	
	Declared values		Declared values	
	Sound pressure	Sound power	Three axis values	
	ISO 11203	2000/14/EC	ISO 20643	
	Lp r=1m dB(A) rel 20µPa	Lw guaranteed dB(A) rel 1pW	A m/s ² value	B m/s ² spreads
CP 0009 A (for breaking)	-	-	20.2	2.5
CP 0009 A (for drilling)	-	-	21.2	2.6
CP 0009 AC (for breaking)	-	-	20.2	2.5
CP 0009 AC (for drilling)	-	-	21.2	2.6
CP 0009 CS (for breaking)	88	103	20.2	2.5
CP 0009 CS (for drilling)	88	103	21.2	2.6
CP 0009 E (for breaking)	-	-	20.2	2.5
CP 0009 E (for drilling)	-	-	21.2	2.6
CP 0009 ES (for breaking)	88	103	20.2	2.5
CP 0009 ES (for drilling)	88	103	21.2	2.6
CP 0009 F (for breaking)	-	-	20.2	2.5
CP 0009 F (for drilling)	-	-	21.2	2.6
CP 0014 RR (for breaking)	-	-	35.4	4.5
CP 0014 RR (for drilling)	-	-	45.3	5.2
CP 0014 RRBS (for breaking)	-	-	35.4	4.5
CP 0014 RRBS (for drilling)	-	-	45.3	5.2

Crowder Supply Co., Inc. • 8495 Roslyn St., Commerce City, CO 80022 • Toll Free: 888-883-5144 • www.CrowderSupply.com

EC Declaration of Conformity

EC Declaration of Conformity (EC Directive 2006/42/EC)

We, Atlas Copco Construction Tools AB, www.CrowderSupply.com • Toll Free: 888-883-5144, hereby declare that the machines listed below conform to the provisions of EC Directive 2006/42/EC (Machinery Directive).

Handheld rotary hammers	Pmax (bar)
CP 0009 CS	6.2
CP 0009 ES	6.2

Technical Documentation authorised representative:

Erik Sigfridsson
 Atlas Copco Construction Tools AB
 Dragonvägen 2
 Kalmar

General Manager:

Erik Sigfridsson

Manufacturer:

Atlas Copco Construction Tools AB
 105 23 Stockholm
 Sweden

Place and date:

Kalmar, 2010-04-01

FRANÇAIS

Sommaire

Introduction	www.CrowderSupply.com • Toll Free: 888-883-5144.....	25
À propos des prescriptions de sécurité et des instructions pour l'opérateur		25
Consignes de sécurité		26
Indications de sécurité.....		26
Précautions et qualifications du personnel.....		26
Installation, précautions.....		26
Fonctionnement, précautions.....		27
Maintenance, précautions.....		32
Stockage, précautions.....		32
Vue d'ensemble		33
Conception et fonctionnement.....		33
Principales pièces.....		33
Étiquettes.....		34
Installation		34
Déballage du marteau perforateur.....		34
Flexibles et connexions.....		34
Mesures de prévention du gel.....		35
Branchement d'un séparateur d'eau.....		35
Graissage.....		35
Outil d'insertion.....		36
Commande		39
Opérations à effectuer avant la mise en service.....		39
Marche/arrêt.....		39
Utilisation.....		39
Lors des pauses.....		40
Maintenance		40
Chaque jour.....		40
Maintenance périodique.....		41
Couples de serrage.....		41
Assemblage.....		41
Stockage		42
Destruction d'une machine usagée		42
Caractéristiques techniques		43
Caractéristiques de la machine.....		43
Énoncé déclaratif sur les vibrations et le bruit.....		43
Données relatives au bruit et aux vibrations.....		44
Déclaration CE de conformité		45
Déclaration CE de conformité (Directive 2006/42/CE).....		45

Introduction

Nous vous remercions d'avoir choisi un produit Chicago Pneumatic. Depuis plus d'un siècle, la marque Chicago Pneumatic est synonyme de performance et d'innovation dans le secteur des outils pneumatiques et hydrauliques. www.crowderSupply.com • Toll Free: 888-883-5144

Aujourd'hui, la société offre une vaste gamme d'outils pneumatiques et hydrauliques comprenant brise-béton, trépan, marteaux burineurs, marteaux-bêches, pioches et défricheuses, bouchardeuses, pompes et bien d'autres outils.

La marque Chicago Pneumatic est associée avec des produits puissants et fiables, faciles à entretenir et ayant un bon rapport qualité-prix.

Pour plus d'informations, veuillez consulter le site Web www.cp.com

Atlas Copco Construction Tools AB
S-105 23 Stockholm
Suède

À propos des prescriptions de sécurité et des instructions pour l'opérateur

Le but des instructions est de vous apprendre à utiliser le marteau perforateur d'une manière efficace et en toute sécurité. Les instructions vous donnent également des conseils et vous indiquent comment effectuer la maintenance de routine du marteau perforateur.

Vous devez lire ces instructions attentivement et les comprendre avant d'utiliser le marteau perforateur pour la première fois.

Consignes de sécurité

Il convient de lire et d'assimiler les Prescriptions de sécurité et des instructions pour l'opérateur avant toute installation, utilisation, réparation, entretien ou remplacement d'accessoire. La machine doit être utilisée de manière à minimiser le risque de blessures graves ou de dommages pouvant entraîner la mort.

Affichez les Prescriptions de sécurité et instructions pour l'opérateur sur les différents sites de travail ; faites en des copies pour les employés et assurez-vous que chaque personne concernée a bien lu les Prescriptions de sécurité et instructions pour l'opérateur, avant d'utiliser ou d'intervenir sur la machine.

En outre, l'opérateur ou l'employeur doit évaluer les risques spécifiques pouvant survenir à la suite de chaque utilisation de la machine.

Indications de sécurité

Les indications de sécurité Danger, Attention et Prudence ont les sens suivants :

DANGER

Indique une situation dangereuse qui, si elle n'est pas évitée, terminera par provoquer la mort ou des blessures graves.

AVERTISSEMENT

Indique une situation dangereuse qui, si elle n'est pas évitée, est susceptible de provoquer la mort ou des blessures graves.

ATTENTION

Indique une situation dangereuse qui, si elle n'est pas évitée, est susceptible de provoquer des blessures mineures à modérées.

Précautions et qualifications du personnel

Seules des personnes qualifiées ou formées peuvent utiliser ou procéder à l'entretien de la machine. Elles doivent être physiquement aptes à manipuler le volume, le poids et la puissance de l'outil. Utilisez toujours votre jugement et votre bon sens.

Équipement de protection du personnel

Utilisez toujours un équipement de protection individuelle homologué. Les opérateurs et toutes autres personnes séjournant sur la zone de travail doivent porter un équipement de protection individuelle au minimum :

- > Casque de protection
- > Protections auditives
- > Protecteurs des yeux résistants aux chocs avec protection latérale
- > Appareil de protection respiratoire, le cas échéant
- > Gants de protection
- > Bottes de protection adaptées
- > Salopette de travail appropriée ou vêtement similaire (serré) qui recouvre les bras et les jambes.

Drogues, alcool ou médicaments

▲ AVERTISSEMENT Drogues, alcool ou médicaments

Les drogues, l'alcool ou les médicaments risquent d'avoir un effet négatif sur votre jugement et votre capacité de concentration. De mauvaises réactions et des évaluations incorrectes peuvent entraîner des accidents graves, voire la mort.

- ▶ N'utilisez jamais la machine lorsque vous êtes fatigué(e) ou sous l'influence de drogues, de l'alcool ou de médicaments.
- ▶ L'utilisation de la machine par une personne sous l'influence de drogues, de l'alcool ou de médicaments est strictement interdite.

Installation, précautions

▲ DANGER Coup de fouet d'un flexible pneumatique

Un flexible d'air comprimé qui se détache risque de fouetter dans tous les sens et de provoquer des dommages corporels ou la mort. Pour réduire ce risque :

- ▶ Vérifiez que le flexible d'air comprimé et les raccords ne sont pas endommagés. Les remplacer si nécessaire.
- ▶ Vérifiez que les raccords d'air comprimé sont correctement fixés.
- ▶ Ne jamais porter une machine pneumatique par le flexible d'air.

- ▶ Ne jamais essayer de débrancher un flexible d'air comprimé sous pression. D'abord, coupez l'alimentation en air comprimé au niveau du compresseur, puis purgez la machine en activant le dispositif de marche/arrêt.
- ▶ Ne jamais pointer un flexible d'air comprimé vers quelqu'un ou sur soi. Afin d'éviter tout risque de blessure, ne jamais utiliser l'air comprimé pour nettoyer la poussière, les salissures, etc., sur vos vêtements.
- ▶ N'utilisez pas de raccords rapides à l'entrée de l'outil. Utilisez des raccords filetés en acier trempé (ou un matériau présentant une résistance aux chocs comparable).
- ▶ Chaque fois que des raccords universels (raccords à griffes) sont utilisés, nous recommandons de monter des goupilles de verrouillage et d'utiliser des câbles de sécurité pour tuyaux flexibles, afin d'empêcher tout relâchement d'un accouplement flexible - outil et tuyau - tuyau.

▲ AVERTISSEMENT Outil d'insertion éjecté

Si la sécurité de l'outil n'est pas verrouillée sur la machine, l'outil d'insertion risque d'être éjecté avec force, et de provoquer des dommages corporels.

- ▶ Ne démarrez jamais la machine au moment du changement de l'outil d'insertion.
- ▶ Avant de changer l'outil d'insertion ou un accessoire, arrêtez la machine, coupez l'alimentation électrique et purgez la machine en activant le dispositif de marche/arrêt.
- ▶ Ne jamais pointer l'outil inséré vers soi-même ni vers autrui.
- ▶ Assurez-vous que l'outil d'insertion est entièrement inséré et que la sécurité de l'outil est en position verrouillée avant tout démarrage de la machine.
- ▶ Vérifiez la fonction de verrouillage en tirant énergiquement l'outil inséré vers l'extérieur.

▲ AVERTISSEMENT Déplacement / glissement d'outil d'insertion

Une dimension incorrecte de l'emmanchement de l'outil inséré peut induire la perte ou le glissement de ce dernier pendant le fonctionnement. Risque de blessure par écrasement des mains et des doigts.

- ▶ Vérifiez que l'outil d'insertion utilisé possède la bonne taille d'emmanchement et les dimensions pour lesquelles la machine est prévue.
- ▶ Ne jamais utiliser un outil d'insertion sans collet.

Fonctionnement, précautions

▲ DANGER Danger d'explosion

Si un outil d'insertion chaud entre en contact avec un explosif, cela pourrait provoquer une explosion. Lors de travaux sur certains matériaux et lors d'utilisation de certains matériaux dans les pièces de la machine, des étincelles susceptibles d'enflammer des gaz peuvent provoquer des explosions. Les explosions peuvent provoquer des dommages corporels voire la mort.

- ▶ Ne jamais utiliser la machine dans un environnement explosif quelconque.
- ▶ N'utilisez jamais cette machine près de poussières, d'émanations ou de matériaux inflammables.
- ▶ Assurez-vous qu'il n'y a aucune source de gaz non identifiée ni explosifs dans les environs.
- ▶ Ne jamais forer dans un ancien trou.

▲ AVERTISSEMENT Mouvements inopinés

L'outil inséré est soumis à des efforts importants lors de l'utilisation de la machine. L'outil inséré peut se rompre à cause de la fatigue après un certain temps d'utilisation. En cas de rupture ou de blocage de l'outil inséré, des mouvements soudains et imprévus peuvent se produire et entraîner des blessures. Les pertes d'équilibre ou les glissades peuvent également provoquer des blessures.

- ▶ Assurez-vous de toujours adopter une position stable, les pieds dans le prolongement de vos épaules et votre poids bien réparti sur les deux jambes.
- ▶ Vérifiez toujours l'équipement avant de l'utiliser. Évitez d'utiliser l'équipement s'il vous semble endommagé.
- ▶ Assurez-vous que les poignées sont toujours bien propres, sans graisse ni huile.

- ▶ Gardez vos pieds éloignés de l'outil inséré.
- ▶ Restez bien droit et tenez toujours la machine à deux mains.
- ▶ Ne jamais forer dans un ancien trou.
- ▶ Ne mettez pas la machine sur le sol.
- ▶ Ne 'chevauchez' jamais la machine, une jambe passée sur la poignée.
- ▶ Ne maltraitez jamais l'équipement.
- ▶ Examinez régulièrement l'usure de l'outil d'insertion et contrôlez la présence éventuelle de signes de détérioration ou de fissures visibles.
- ▶ Soyez vigilant et concentrez-vous sur ce que vous faites.

▲ AVERTISSEMENT Danger de calage

Si l'outil d'insertion se bloque durant le fonctionnement, la machine se mettra à tourner sur elle-même si vous ne la tenez pas bien. Cette rotation inattendue de la machine entière peut provoquer des blessures graves, voire la mort.

- ▶ Restez bien droit et tenez toujours la machine avec les deux mains.
- ▶ Assurez-vous que les poignées sont toujours bien propres, sans graisse ni huile.
- ▶ Ne jamais forer dans un ancien trou.

▲ AVERTISSEMENT Danger de piégeage

Les vêtements flottants, cheveux, gants, foulards ou écharpes risquent de se prendre sur un outil à insertion ou un accessoire en rotation. Ce type d'incident peut provoquer un étouffement, un scalp, des déchirures voire la mort. Pour réduire ce risque :

- ▶ Évitez à tout prix d'agripper ou de toucher un fleuret en rotation.
- ▶ Évitez de porter des vêtements amples, des gants, des foulards ou écharpes susceptibles de se prendre dans la pièce en rotation.
- ▶ Couvrez les cheveux à l'aide d'un filet.

▲ AVERTISSEMENT Dangers liés aux poussières et aux fumées

Les poussières et/ou de fumées générées ou dispersées lors de l'utilisation de la machine peuvent causer des maladies respiratoires graves et lésion corporelle (par exemple, la silicose ou autre maladie pulmonaire irréversible qui peut être mortelle, cancer, malformations congénitales et/ou inflammation de la peau).

Certaines poussières et fumées créées lors de foration, casse, martelage, sciage, meulage et autres activités de construction, contiennent des substances connues dans l'État de Californie et par d'autres autorités pour provoquer des maladies respiratoires, le cancer, des malformations congénitales ou autres problèmes de reproduction. Quelques exemples de ces substances sont :

- > Silice cristalline, ciment et autres produits de maçonnerie.
- > Arsenic et chrome provenant de caoutchouc traité chimiquement.
- > Plomb provenant de peintures à base de plomb.

Les poussières et fumées dans l'air peuvent être invisibles à l'œil nu. Par conséquent, ne comptez pas sur la vue oculaire pour déterminer s'il y a des poussières ou des fumées dans l'air.

Pour réduire les risques d'exposition aux poussières et fumées, effectuez tout ce qui suit :

- ▶ Effectuez une évaluation des risques spécifiques au site. L'évaluation des risques devra inclure les poussières et les vapeurs créées par l'utilisation de la machine et les poussières susceptibles d'incommoder le voisinage.
- ▶ Utilisez la sécurité intégrée appropriée pour minimiser la quantité de poussières et de fumées dans l'air et leur accumulation sur les équipements, les surfaces, les vêtements et les parties du corps. Exemples de mesures applicables : systèmes de ventilation aspirante et de captage des poussières, pulvérisation d'eau et forage humide. Contrôlez si possible les poussières et les fumées à la source. Assurez-vous que les commandes sont correctement installées, entretenues et utilisées.
- ▶ Portez, entretenez et utilisez de manière correcte la protection respiratoire comme indiqué par votre employeur, en respectant les normes de sécurité et de santé au travail. La protection respiratoire doit être efficace pour le type de substance en cause (et le cas échéant, approuvée par l'autorité gouvernementale pertinente).

- ▶ Travailler dans une zone bien ventilée.
- ▶ Si la machine dispose d'un système d'échappement, dirigez ce dernier de manière à réduire les mouvements de poussière dans un environnement chargé en poussières.
- ▶ Exploiter et entretenir la machine comme cela est recommandé dans les Prescriptions de sécurité et instructions pour l'opérateur.
- ▶ Sélectionner, entretenir et remplacer les consommables / les outils d'insertion / et autres accessoires comme cela est recommandé dans les Prescriptions de sécurité et instructions pour l'opérateur. Le choix incorrect ou le défaut d'entretien de consommables / outils d'insertion / et autres accessoires peut provoquer une augmentation inutile des poussières ou fumées.
- ▶ Sur le lieu de travail, portez des vêtements de protection lavables ou jetables. Avant de quitter le lieu de travail, douchez-vous et changez de vêtements, pour réduire votre exposition aux poussières et fumées et celle des autres, des voitures, des maisons et des autres zones.
- ▶ Évitez de manger, boire ou fumer hors dans les zones exposées aux poussières ou aux fumées.
- ▶ Lavez-vous les mains et le visage dès que possible avant de quitter la zone exposée, et toujours avant de manger, boire ou fumer, ou d'entrer en contact avec d'autres personnes.
- ▶ Respectez toutes les lois et règlements applicables, y compris les normes de sécurité et de santé au travail.
- ▶ Participez à la surveillance de l'air, aux programmes d'examen médical, et aux programmes de formation à la santé et à la sécurité proposés par votre employeur ou les organisations professionnelles, et conformément aux normes et recommandations de sécurité et de santé au travail. Consultez un médecin spécialiste en médecine du travail.
- ▶ Coopérez avec votre employeur et l'organisation professionnelle pour réduire l'exposition aux poussières et fumées sur le chantier, ainsi que les risques. Des programmes de santé et de sécurité efficaces, des politiques et des procédures visant à protéger les salariés et autres personnes contre l'exposition à des poussières et des fumées nocives devront être établis et mis en œuvre sur les conseils d'experts en santé et sécurité. Consultez ces experts.

▲ AVERTISSEMENT Projectiles

Une pièce, des accessoires, ou même l'outil qui se détache peuvent se transformer en projectiles à grande vitesse. En cours de fonctionnement, des éclats de roche ou d'autres particules du matériau peuvent se transformer en projectiles et provoquer des blessures en frappant l'opérateur ou d'autres personnes. Pour réduire ces risques :

- ▶ Utilisez des équipements de protection personnelle et un casque de sécurité approuvés, y compris une protection oculaire résistante avec protection latérale.
- ▶ Assurez-vous qu'aucune personne non autorisée ne pénètre dans la zone de travail.
- ▶ Maintenir le lieu de travail propre et exempt de corps étrangers.
- ▶ Assurez-vous que la pièce à travailler est correctement fixée.

▲ AVERTISSEMENT Risques liés aux éclats de roche

L'utilisation de l'outil d'insertion comme outil à main peut engendrer des éclats de roche qui risquent de heurter l'opérateur et de le blesser.

- ▶ Ne jamais utiliser l'outil d'insertion comme outil d'arasement. Ces outils sont spécialement conçus et traités thermiquement pour être utilisés uniquement dans une machine.

▲ AVERTISSEMENT Risques de glissades, de trébuchements et de chute

Il existe des risques de glissades, de trébuchements et de chute, par exemple sur des flexibles ou d'autres objets. Une glissade, un trébuchement ou une chute peut provoquer des blessures. Pour réduire ce risque :

- ▶ Toujours s'assurer qu'aucun flexible ou autre objet ne risque, d'une manière ou d'une autre, de gêner le passage d'une personne.
- ▶ Assurez-vous de toujours adopter une position stable, les pieds dans le prolongement de vos épaules et votre poids bien réparti sur les deux jambes.

▲ AVERTISSEMENT Risques liés aux mouvements

Lorsque vous utilisez la machine pour effectuer des travaux, vous pouvez ressentir de l'inconfort dans les mains, les bras, les épaules, le cou, ou d'autres parties du corps.

- ▶ Adoptez une position confortable tout en maintenant une base sûre et évitez les postures inconfortables en déséquilibre.
- ▶ Changer de posture durant les longues sessions de travail peut contribuer à éviter l'inconfort et la fatigue.
- ▶ En cas de symptômes persistants ou récurrents, consultez un professionnel de la santé qualifié.

▲ AVERTISSEMENT Dangers liés aux vibrations

L'utilisation normale et adéquate de la machine expose l'opérateur à des vibrations. L'exposition régulière et fréquente aux vibrations peut causer, au fil du temps, des blessures ou les troubles au niveau des doigts, des mains, des poignets, des bras, des épaules et/ou des nerfs et de la circulation sanguine et/ou d'autres parties du corps de l'opérateur, y compris les blessures ou les troubles qui peuvent se développer graduellement sur des semaines, des mois, ou des années. De telles blessures ou troubles peuvent inclure des dommages au niveau du système de circulation sanguine, du système nerveux, des articulations et éventuellement au niveau d'autres parties du corps.

En cas d'apparition, à un moment quelconque, d'engourdissement, de malaises récurrents persistants, de sensation de brûlure, de raideur, de douleur lancinante, de fourmillement, de douleur, de maladresse, d'affaiblissement du poignet, de blanchissement de la peau ou d'autres symptômes lors de l'utilisation de la machine ou en dehors de celle-ci, cessez toute utilisation de la machine, informez votre employeur et consultez un médecin. Le fait de continuer à utiliser la machine après l'apparition de tels symptômes risque de les aggraver et/ou de les rendre permanents.

Utilisez et entretenez la machine conformément aux instructions, afin d'éviter toute augmentation inutile des vibrations.

Les mesures suivantes peuvent contribuer à réduire l'exposition de l'opérateur aux vibrations :

- ▶ Laissez l'outil faire le travail. Utilisez une poignée manuelle réduite permettant un contrôle approprié et une utilisation en toute sécurité.
- ▶ Si la machine est équipée de poignées antivibratoires, maintenez-les en position centrale, en évitant d'enfoncer les poignées jusqu'à leur butées.
- ▶ Lorsque le mécanisme de percussion est activé, le seul contact entre votre corps et la machine doit être celui de vos mains sur la/les poignée(s). Évitez tout autre contact, notamment d'appuyer une partie quelconque du corps contre la machine ou de vous pencher sur cette dernière pour essayer d'en augmenter la capacité d'avance. Il est également important de ne pas maintenir le dispositif de marche/arrêt actionné lorsque vous retirez l'outil de la surface de travail cassée.

- ▶ Assurez-vous que l'outil inséré est correctement entretenu (et aiguisé s'il s'agit d'un outil coupant), en bon état et de la taille appropriée. Les outils insérés mal entretenus, usés ou de dimension inadaptée allongent la durée d'exécution d'une tâche (et celle de l'exposition aux vibrations) et peuvent induire ou contribuer à des niveaux plus élevés d'exposition aux vibrations.
- ▶ Arrêtez immédiatement de travailler si la machine commence soudainement à vibrer fortement. Avant de recommencer à travailler, identifiez la cause de l'augmentation des vibrations et remédiez-y.
- ▶ Évitez d'attraper, de tenir et de toucher l'outil inséré lorsque la machine est en marche.
- ▶ Participez à la surveillance médicale, aux examens médicaux et aux programmes de formation offerts par votre employeur ou imposés par la loi.
- ▶ Lorsque vous travaillez dans des conditions de froid, portez des vêtements chauds et gardez les mains au chaud et au sec.

Voir « Énoncé déclaratif sur les vibrations et le bruit » pour la machine, y compris les valeurs des vibrations déclarées. Ces informations figurent à la fin des « Prescriptions de sécurité et instructions pour l'opérateur ».

- ◆ Respectez la pression d'air recommandée lorsque vous utilisez la machine. Une pression d'air plus élevée ou plus faible peut entraîner des niveaux de vibrations plus élevés.

▲ DANGER Dangers électriques

La machine n'est pas isolée électriquement. Tout contact de la machine avec de l'électricité risque de provoquer des blessures graves ou la mort.

- ▶ N'utilisez jamais la machine près d'un câble électrique ou d'une autre source d'électricité.
- ▶ Assurez-vous de l'absence de câbles cachés ou d'autres sources d'électricité dans la zone de travail.

▲ AVERTISSEMENT Dangers liés aux objets cachés

En cours de fonctionnement, les tuyaux et câbles cachés constituent une source potentielle de blessures graves.

www.CrowderSupply.com • Toll Free: 888-883-5144 • Vérifiez la composition du matériau avant toute utilisation.

- ▶ Faites attention aux câbles et aux tuyaux cachés, comme les tuyaux d'électricité, de téléphone, d'eau, de gaz et les canalisations d'égouts, etc.
- ▶ Si vous pensez avoir touché un objet caché avec l'outil, arrêtez immédiatement la machine.
- ▶ Vérifiez que tout danger est écarté avant de continuer.

▲ AVERTISSEMENT Démarrage accidentel

Le démarrage accidentel de la machine peut provoquer des blessures.

- ▶ Gardez les mains bien éloignées du dispositif de marche/arrêt jusqu'au moment de commencer à démarrer la machine.
- ▶ Apprenez à éteindre la machine en cas d'urgence.
- ▶ Relâchez immédiatement le dispositif de marche/arrêt en cas de coupure d'énergie quelconque.
- ▶ À chaque fixation ou retrait de l'outil d'insertion, coupez l'arrivée d'air, purgez la machine en appuyant sur le dispositif de marche/arrêt, puis débranchez la machine de la source d'alimentation.

▲ AVERTISSEMENT Danger lié au bruit

Des niveaux de bruit élevés peuvent provoquer une perte d'audition permanente et d'autres problèmes tels que l'acouphène (sonnerie, grondement, sifflement ou bourdonnement dans les oreilles). Afin de réduire les risques et d'éviter une augmentation inutile des niveaux de bruit :

- ▶ L'évaluation des risques de ces dangers et de mise en œuvre de mesures de contrôle appropriées est essentielle.
- ▶ Exploiter et entretenir la machine comme cela est recommandé dans ces instructions.
- ▶ Sélectionner, entretenir et remplacer l'outil d'insertion comme cela est recommandé dans ces instructions.
- ▶ Si la machine dispose d'un silencieux, il faut vérifier qu'il est en place et en bon état de fonctionnement.
- ▶ Toujours utiliser des protections auditives.

- ▶ Utilisez un matériau amortissant afin d'éviter que les pièces « résonnent ».

Maintenance, précautions

www.CrowderSupply.com • Toll Free: 888-883-5144

▲ AVERTISSEMENT Modifications sur la machine

Toute modification sur la machine peut provoquer des blessures physiques à vous-même ou aux autres.

- ▶ Ne jamais modifier la machine. Toute machine modifiée n'est pas couverte par la garantie ou la responsabilité produits.
- ▶ Utilisez toujours des pièces, des outils d'insertion et des accessoires d'origine.
- ▶ Remplacez immédiatement les pièces endommagées.
- ▶ Remplacez les éléments ou pièces usés sans attendre.

▲ ATTENTION Outil d'insertion brûlant

L'extrémité de l'outil d'insertion devient chaude et affûtée à l'usage. Vous risquez de vous brûler et de vous couper si vous la touchez.

- ▶ Ne touchez jamais un outil d'insertion brûlant ou affûté.
- ▶ Attendez que l'outil d'insertion ait refroidi avant d'effectuer des tâches de maintenance.

▲ AVERTISSEMENT Risques liés à l'outil d'insertion

L'actionnement accidentel du dispositif de marche/arrêt en cours d'entretien ou d'installation peut causer des blessures graves, si la source d'alimentation est connectée.

- ▶ Ne jamais inspecter, nettoyer, installer ou déposer l'outil d'insertion avec la source d'alimentation connectée.

Stockage, précautions

- ◆ Conservez la machine et les outils bien verrouillés, dans un endroit sûr, hors de la portée des enfants.

Vue d'ensemble

Il convient de lire attentivement la section des consignes de sécurité figurant sur les pages précédentes du présent document avant toute utilisation de la machine, afin de minimiser le risque de blessures graves ou de dommages pouvant entraîner la mort.

Conception et fonctionnement

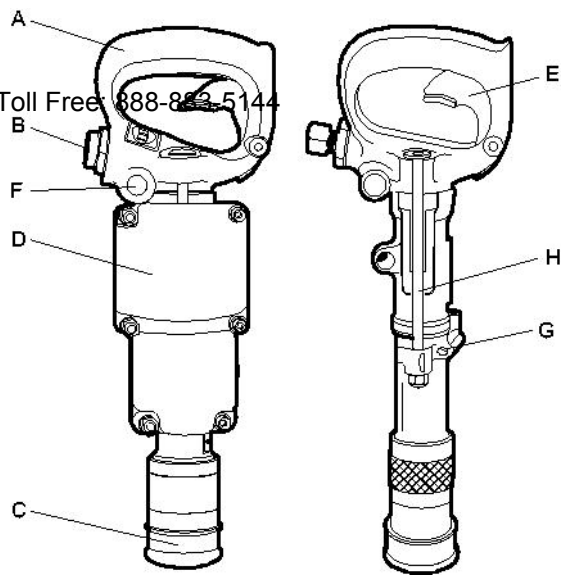
Les CP 0009 et CP 0014 sont des machines combinant les fonctions de burinage et de forage et sont conçues pour une utilisation horizontale et verticale.

Le modèle CP 0009 est doté d'un décaleur à changement rapide et est à rotation à droite. La machine peut être adaptée pour le forage ou le burinage en changeant l'outil d'insertion ou en activant le bouton à débrayage rotatif, en fonction du modèle utilisé. Les exemples d'applications sont le perçage, le burinage ou le bouchardage des murs en béton ou en brique. Toute autre utilisation est interdite.

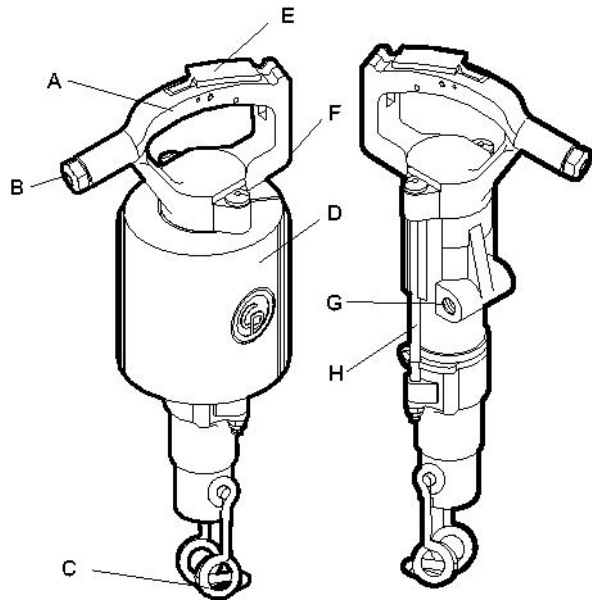
Le modèle CP 0014 est doté d'un décaleur à changement rapide à ressort et est à rotation à droite. Un bouton à débrayage rotatif permet de convertir l'outil de foreuse en marteau piqueur. Les exemples d'application en version foreuse rotative sont le forage dans le granite, le béton, le calcaire ou les murs en maçonnerie, ainsi que d'autres matériaux similaires. En tant que marteau, il peut servir à buriner le béton, boucharder les murs, agrandir les trous. Toute autre utilisation est interdite.

Pour choisir l'outil d'insertion correct, référez-vous à la liste des pièces détachées.

Principales pièces



CP 0009



CP 0014

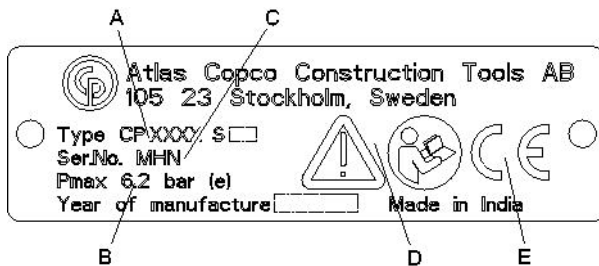
- A. Poignée
- B. Embout de prise d'air
- C. Décaleur
- D. Silencieux
- E. Accélérateur
- F. Lubrificateur
- G. Débrayage rotatif

H. Goujon

Étiquettes

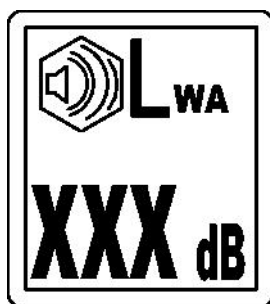
La machine comporte des étiquettes importantes pour la sécurité des personnes et l'entretien de la machine. Les étiquettes doivent être faciles à lire. De nouvelles étiquettes peuvent être commandées en utilisant la liste des pièces détachées.

Plaque signalétique



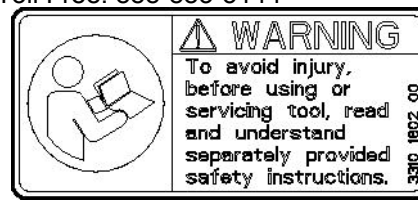
- A. Type de machine
- B. Pression d'air comprimé maximale autorisée
- C. Numéro de série
- D. Le symbole « Attention » accompagné du symbole du livre signifie que l'utilisateur doit lire les « Prescriptions de sécurité et instructions pour l'opérateur » avant la première utilisation de la machine.
- E. Le symbole CE indique la conformité de la machine avec les directives applicables. Pour plus d'informations, consultez la déclaration CE de conformité fournie avec la machine. L'absence du symbole CE indique que la machine n'est pas conforme aux directives applicables.

Étiquette niveau du bruit



Cette étiquette indique le niveau de bruit garanti conformément à la directive 2000/14/CE. Voir les « caractéristiques techniques » pour un niveau de bruit précis.

Étiquette de sécurité



Lire et comprendre les consignes de sécurité fournies séparément avant d'utiliser l'outil ou d'effectuer son entretien, afin d'éviter tout risque de blessures.

Installation

Déballage du marteau perforateur

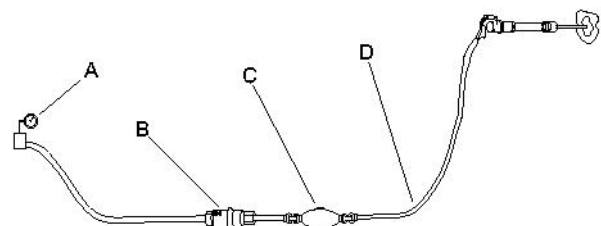
Protections en plastique

Avant la première utilisation du marteau perforateur, retirez toutes les protections en plastique des raccords.

Lubrification

Après déballage et installation de l'outil, versez une quantité généreuse d'huile lubrifiée dans la connexion d'air.

Flexibles et connexions



- A. Source d'air comprimé
- B. Séparateur d'eau (en option)
- C. Lubrificateur (en option)
- D. 3 m (10 feet) maximum de flexible d'air comprimé entre l'huile et la machine.

- ◆ Vérifiez que vous utilisez la bonne pression de fonctionnement recommandée, 87 psig (6 bar (e)).
- ◆ Ne dépassez pas la pression d'air maximale autorisée pour la machine - 90 psig (6,2 bar (e)).
- ◆ Éliminez toute impureté du flexible d'air comprimé avant de le brancher à la machine.
- ◆ Sélectionnez un flexible d'air comprimé possédant une dimension et une longueur correctes. Pour les longueurs de flexible allant jusqu'à 100 feet (30 mètres), il faut utiliser un flexible de diamètre intérieur minimal de 3/4" (19 mm). Si la longueur de flexible est de 100 à 330 feet (30 à 100 mètres), il faut utiliser un flexible de diamètre intérieur minimal de 1" (25 mm).

Mesures de prévention du gel

Le givrage peut se produire dans le silencieux lorsque la température ambiante est de 32-50 °F (0-10°C) et que l'humidité relative est élevée.

La machine est conçue pour éviter le givrage dans le silencieux. Cependant, dans des conditions extrêmes, du givre peut se former dans le silencieux. Utilisez le séparateur d'eau pour éviter le risque de formation de givre.

Branchement d'un séparateur d'eau

Utilisez un flexible suffisamment long entre le compresseur et le séparateur d'eau pour assurer le refroidissement et la condensation de la vapeur d'eau dans le flexible avant d'atteindre le séparateur d'eau.

Si la température ambiante est inférieure à 32°F (0°C), le flexible ne doit pas être très long afin que l'eau n'y gèle pas avant d'atteindre le séparateur d'eau.

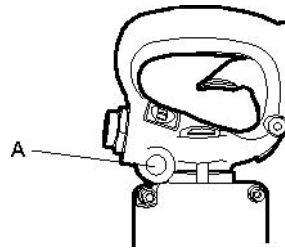
Graissage

Le lubrifiant joue un rôle important dans le fonctionnement de la machine et a une grande incidence sur sa durée de vie.

Les signes d'un graissage correct sont la présence d'un brouillard d'huile dans l'air d'échappement et de légères traces d'huile sur l'outil ou l'adaptateur d'emmanchement. Une lubrification excessive peut causer des problèmes de démarrage, une faible puissance ou une performance irrégulière.

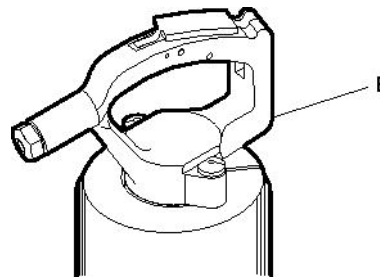
Il convient de vérifier, et de remplir le cas échéant, le graisseur intégré de manière régulière, afin d'assurer le volume d'huile approprié. Par ailleurs, l'utilisation d'un graisseur sur conduit d'air est recommandé pour assurer une alimentation en lubrifiant constante et adéquate.

Lubrifiant recommandé : Huile pour marteau perforateur avec une viscosité de 100-150 SUS à 100°F (ISO VG 22-32).



CP 0009

Quotidiennement, avant d'utiliser la machine, et après chaque tranche de quatre heures de service, retirez le bouchon (A) et saturez le feutre d'huile puis remplissez le réservoir d'huile avec du lubrifiant recommandé.



CP 0014

Quotidiennement, avant d'utiliser la machine, et après chaque tranche de quatre heures de service, retirez le bouchon (B) et remplissez le réservoir d'huile avec du lubrifiant recommandé.

Outil d'insertion

⚠ ATTENTION Outil d'insertion brûlant

L'extrémité de l'outil d'insertion devient chaude et affûtée à l'usage. Vous risquez de vous brûler et de vous couper si vous la touchez.

- ▶ Ne touchez jamais un outil d'insertion brûlant ou affûté.
- ▶ Attendez que l'outil d'insertion ait refroidi avant d'effectuer des tâches de maintenance.

Sélection du bon outil d'insertion

La sélection du bon outil d'insertion est un prérequis au fonctionnement approprié de la machine. Pour éviter les dommages inutiles à la machine, il est important de choisir des outils d'insertion de grande qualité.

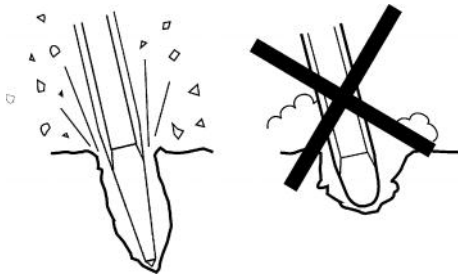
L'utilisation d'outils d'insertion inadaptés peut provoquer la destruction de la machine.

Les outils d'insertion recommandés figurent dans la liste des pièces détachées de la machine.

⚠ AVERTISSEMENT Danger lié aux vibrations

L'utilisation d'outils insérés non conformes aux critères mentionnés ci-dessous entraînera des délais d'accomplissement des tâches plus longs, et parfois aussi des niveaux de vibrations plus élevés. Un outil usé engendre également un temps de travail accru.

- ▶ Assurez-vous que l'outil inséré est correctement entretenu, pas usé et de la taille appropriée.
- ▶ Utilisez toujours un outil tranchant pour pouvoir travailler de manière efficace.



AVIS Ne jamais refroidir un outil d'insertion chaud dans l'eau. Ceci peut fragiliser l'outil et entraîner sa rupture prématurée.

⚠ AVERTISSEMENT Outil d'insertion éjecté

Si la sécurité de l'outil n'est pas verrouillée sur la machine, l'outil d'insertion risque d'être éjecté avec force, et de provoquer des dommages corporels.

- ▶ Avant de changer l'outil d'insertion, arrêtez la machine, coupez l'alimentation d'air comprimé et purgez la machine en activant le dispositif de marche/arrêt.

Avant de fixer le fleuret

Vérifiez que le diamètre et la longueur de l'emmanchement de l'outil conviennent au porte-fleuret utilisé. L'emmanchement du fleuret doit être propre et l'outil en bon état. Les emmanchements ébréchés, arrondis, avec un défaut d'équerre ou trop durs à leur extrémité ne fonctionneront pas efficacement et provoqueront une défaillance prématurée du piston.

Inspectez le fleuret :

Des fleurets émoussés ralentiront la vitesse du forage et provoqueront une tension excessive sur le mécanisme. Lorsque vous changez les fleurets, vérifiez que vous utilisez un fleuret du même diamètre que celui utilisé lors du dernier forage.

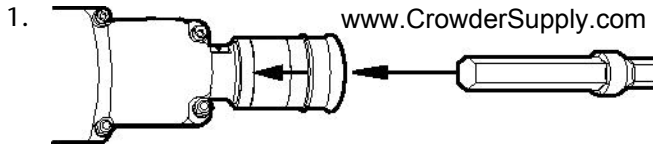
Avant de forer, vérifiez que l'orifice d'injection pratiqué dans le fleuret n'est pas bouché.

Si des bavures se forment autour des fentes dans l'emmanchement du fleuret, les poncer délicatement. Cela facilitera l'insertion et le retrait de l'outil et améliorera l'efficacité du mandrin.

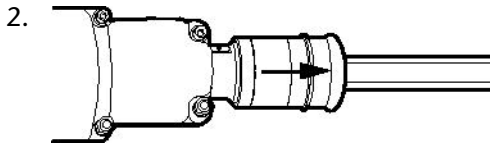
Montage de l'outil d'insertion.

Les instructions suivantes doivent être observées lors de chaque fixation de l'outil d'insertion :

CP 0009

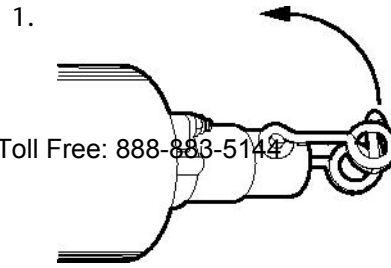


Tirez sur le décaleur et maintenez-le dans le sens indiqué par la flèche, puis insérez simultanément l'outil dans le porte-douille.

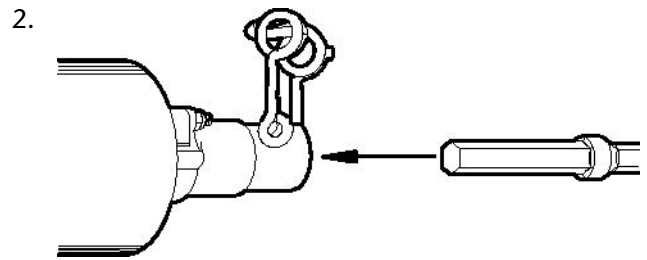


Quand l'outil d'insertion est en butée, repoussez le décaleur pour le verrouiller. Vérifiez la fonction de verrouillage en tirant énergiquement l'outil inséré vers l'extérieur.

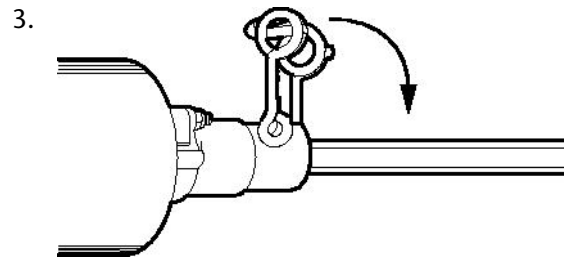
CP 0014



Poussez le décaleur vers le haut, dans le sens de la flèche.



Insérez l'outil dans le porte-douille.

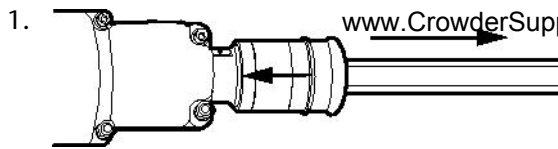


Quand l'outil s'abaisse et arrive en butée, repoussez le décaleur pour le verrouiller.

Retrait de l'outil d'insertion.

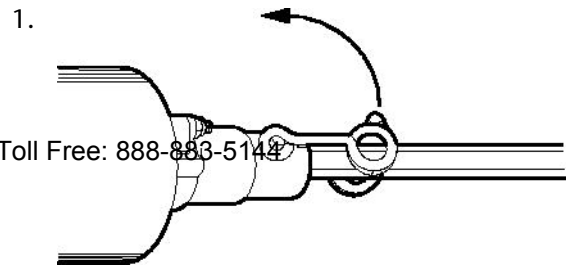
Les instructions suivantes doivent être observées lors de chaque retrait de l'outil d'insertion :

CP 0009

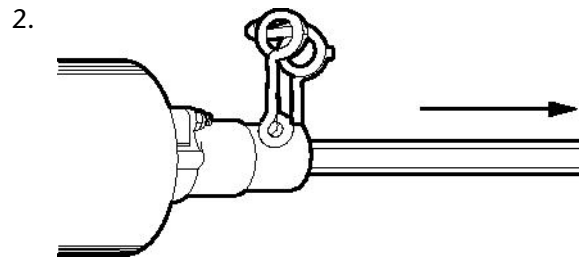


Tirez sur le décaleur et maintenez-le dans le sens indiqué par la flèche, puis retirez simultanément l'outil du porte-douille en tirant dessus.

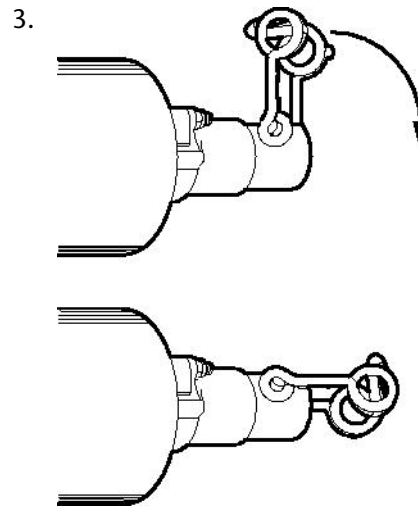
CP 0014



Poussez le décaleur vers le haut, dans le sens de la flèche.



Tirez sur l'outil d'insertion pour le retirer.



Repoussez le décaleur.

Commande

Opérations à effectuer avant la mise en service

Contrôler l'équipement de forage

- ◆ Vérifiez que l'intégralité de l'équipement de forage est en bon état de marche.
- ◆ Vérifiez que la surface d'impact de l'emmanchement du fleuret est bien plate et sans traces d'usure.
- ◆ Assurez-vous que l'arrivée d'air et les ports d'échappement ne sont pas obstrués.
- ◆ Vérifiez que les orifices d'injection/soufflage du fleuret et le foret ne sont pas bouchés et que l'air ou l'eau circulent sans obstruction.
- ◆ Assurez-vous que tous les raccords sont bien serrés et étanches.

▲ DANGER Coup de fouet d'un flexible pneumatique

Un flexible d'air comprimé qui se détache risque de fouetter dans tous les sens et de provoquer des dommages corporels ou la mort

- ▶ Vérifiez que le flexible d'air comprimé et les raccords ne sont pas endommagés.
- ▶ Vérifiez que les raccords d'air comprimé sont correctement fixés.

Purger le flexible à air

- ◆ Purgez le flexible à air chaque jour avant d'utiliser le marteau perforateur pour éliminer l'humidité et les saletés accumulées.

Remplissez le lubrificateur d'huile

- ◆ Vérifiez que le porte-fleuret et le fleuret soient toujours couverts d'un film d'huile.

Marche/arrêt

▲ AVERTISSEMENT Démarrage accidentel

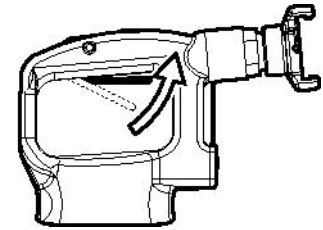
Le démarrage accidentel de la machine peut provoquer des blessures.

- ▶ Gardez les mains bien éloignées du dispositif de marche/arrêt jusqu'au moment de démarrer la machine.
- ▶ Apprenez à éteindre la machine en cas d'urgence.
- ▶ Arrêtez immédiatement la machine en cas de coupure d'énergie quelconque.

Marche/arrêt

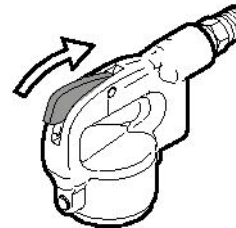


CP 0014

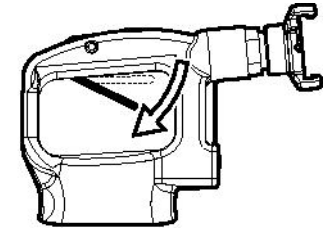


CP 0009

Démarrez la machine en appuyant sur la manette, tout en tenant fermement la poignée.



CP 0014



CP 0009

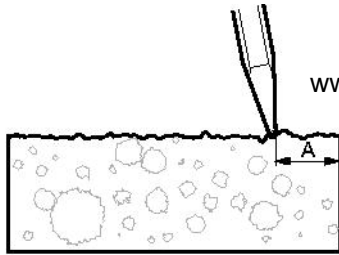
Arrêtez la machine en relâchant la manette. La manette retourne automatiquement en position d'arrêt.

Utilisation

Démarrage d'une coupe

- ◆ Adoptez une position stable et gardez vos pieds éloignés de l'outil d'insertion.
- ◆ Appuyez la machine contre la surface à travailler avant de commencer.
- ◆ Attaquez le matériau à une distance telle du bord que la machine est à même de le fissurer sans le fracturer.

- ◆ N'essayez jamais de fracturer des éléments trop gros. Adaptez la distance de casse (A) de manière à ce que l'outil inséré ne reste pas bloqué.



Burinage et forage

- ◆ Utilisez des chaussures, des gants et un casque de sécurité, une protection auditive ainsi que des protecteurs oculaires résistants aux chocs avec protection latérale.
- ◆ Évitez de travailler sur des matériaux extrêmement durs tels que le granit et le ferrailage (barre d'armature), car cela causerait des vibrations substantielles.
- ◆ Vérifiez régulièrement que la machine est correctement lubrifiée.
- ◆ Lorsque la machine est soulevée, le levier d'accélérateur ne doit pas être actionné.
- ◆ Toute forme d'utilisation au ralenti, sans outil d'insertion ou lorsque la machine est en position haute, doit être évitée.
- ◆ Restez bien droit et maintenez toujours la machine avec les deux mains.
- ◆ Maintenez fermement l'outil d'insertion contre la surface à travailler avant de démarrer la machine.
- ◆ Laissez la machine faire le travail, n'appuyez pas trop fort.

Lors des pauses

- ◆ Pendant toutes vos pauses, vous devez éloigner la machine de manière à éliminer tout risque de démarrage accidentel.
- ◆ En cas de pause prolongée ou lorsque vous quittez votre lieu de travail : Coupez l'alimentation électrique, puis purgez la machine en activant le dispositif de marche/arrêt.

Maintenance

Une maintenance régulière est une condition fondamentale pour que la machine reste un outil sûr et efficace. Respectez soigneusement les instructions de l'entretien.

- ◆ Avant de commencer l'entretien de la machine, nettoyez-la afin d'éviter toute exposition aux substances dangereuses. Voir « Dangers liés aux poussières et aux fumées ».
- ◆ N'utilisez que des pièces de rechange autorisées. Aucun dommage ou mauvais fonctionnement dû à l'utilisation de pièces non autorisées n'est couvert par la garantie ou la responsabilité produits.
- ◆ Lors du nettoyage des pièces mécaniques avec un solvant, assurez-vous que vous respectez bien les normes de sécurité et de santé et que la ventilation est suffisante.
- ◆ Pour un entretien plus complet de la machine, contactez l'atelier homologué le plus proche.
- ◆ Après chaque service, vérifiez que le niveau de vibrations de la machine est normal. Sinon, contactez votre atelier agréé le plus proche.

Chaque jour

Avant d'entreprendre une tâche de maintenance ou de changer un outil d'insertion d'une machine pneumatique, coupez toujours l'arrivée d'air et purgez la machine en appuyant sur le dispositif de marche/arrêt. Débranchez ensuite le flexible pneumatique de la machine.

- ◆ Nettoyez et inspectez la machine et ses fonctionnalités chaque jour, avant son utilisation.
- ◆ Effectuez une inspection générale des fuites et dommages.
- ◆ Vérifiez que l'embout de prise d'air est bien serré et que le raccord décaleur n'est pas endommagé.
- ◆ Contrôlez le fonctionnement du décaleur. Assurez-vous qu'il verrouille le fleuret.
- ◆ Remplacez immédiatement les pièces endommagées.
- ◆ Remplacez les éléments ou pièces usés sans attendre.
- ◆ Contrôlez les tirants de la machine. Assurez-vous qu'ils sont bien serrés.

- ◆ Si la machine dispose d'un silencieux, il faut vérifier qu'il est en bon état de fonctionnement.

Maintenance périodique

Après chaque période d'utilisation d'environ 100 heures, ou trois fois par an, la machine doit être démontée et toutes les pièces nettoyées et examinées. Ce travail doit être effectué par du personnel autorisé et formé à cette tâche.

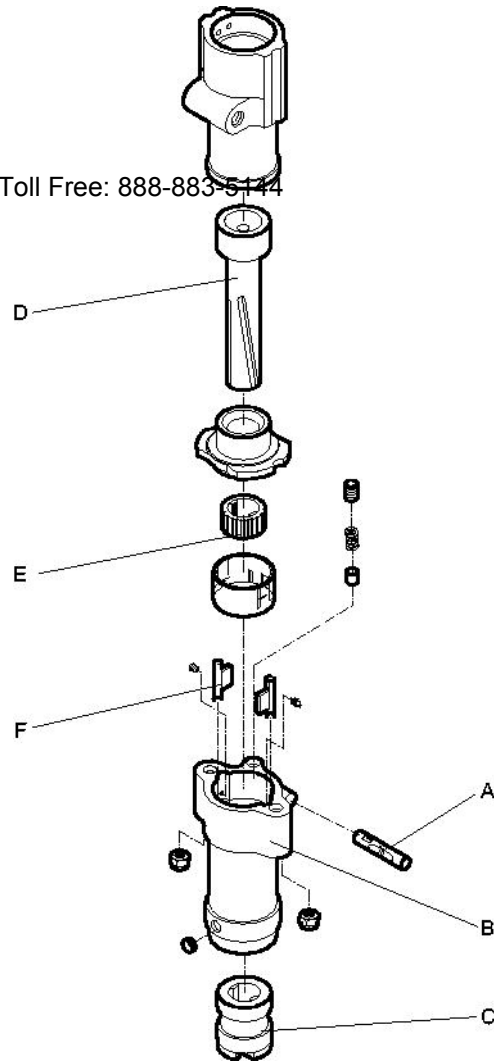
www.CrowderSupply.com • Toll Free: 888-883-5144

Couples de serrage

CP 0009	Écrou de goujon	12-14 ft.lbf (16-19 Nm)
CP 0014	Écrou de goujon	20-23 ft.lbf (27-31 Nm)

Assemblage

Observez les points suivants lors de l'assemblage de la machine :



- ◆ Placez le plongeur du débrayage rotatif (A) dans la partie supérieure (B) avant de monter le mandrin (C).
- ◆ Assurez-vous que la cannelure droite sur le piston (D) s'engage dans la cannelure droite dans le mandrin (C), et que la cannelure hélicoïdale sur le piston (D) s'engage dans la cannelure hélicoïdale de la bague à cliquet (E).
- ◆ Montez la bague à cliquet (E) dans la partie supérieure (B), de sorte que les méplats sur les dents s'engagent à l'extrémité des languettes (F).
- ◆ Serrez les boulons de goujons uniformément, de manière à éviter tout grippage. Après le serrage, faites tourner le mandrin manuellement pour vous assurer qu'il tourne librement.

Stockage

- > Avant de l'entreposer, nettoyez minutieusement la machine afin d'éviter toute exposition aux substances dangereuses. Voir « Dangers liés aux poussières et aux fumées » www.CrowderSupply.com • Toll Free: 888-883-5144
- > Versez environ 1/2 oz (5 cl) d'huile directement dans l'embout de prise d'air, reliez la machine à l'alimentation d'air comprimé et laissez-la fonctionner pendant quelques secondes.
- > Stockez toujours la machine dans un endroit sec.

Destruction d'une machine usagée

Toute machine usagée doit être traitée et détruite de telle manière que la plus grande partie des matériaux puisse être recyclée et que tout impact négatif sur l'environnement soit aussi faible que possible, et conformément aux réglementations locales.

Caractéristiques techniques

Caractéristiques de la machine

www.CrowderSupply.com • Toll Free: 888-883-5144

Type	Dimension de l'emmanchement d'outil in. (mm)	Poids lb (kg)	Alésage du piston in. (mm)	Course in. (mm)	Longueur totale in. (mm)	Consommation d'air (6 bar) cfm (l/s)	Fréquence de frappe (6 bar) Hz (bpm)
CP 0009 A	Arrondi ¾ x 3¾ (Arrondi 19 x 95)	8,82 (4,0)	1,25 (31,8)	1,38 (35)	14,76 (375)	19 (9)	57 (3420)
CP 0009 AC	Arrondi ¾ x 3¾ (Arrondi 19 x 95)	8,82 (4,0)	1,25 (31,8)	1,38 (35)	14,76 (375)	19 (9)	57 (3420)
CP 0009 CS	Arrondi ¾ x 3¾ (Arrondi 19 x 95)	10,14 (4,6)	1,25 (31,8)	1,38 (35)	14,76 (375)	19 (9)	57 (3420)
CP 0009 E	Arrondi ¾ - Hex. ⅜ x 3½ (Arrondi 19 - Hex. 14,7 x 89)	8,82 (4,0)	1,25 (31,8)	1,38 (35)	14,76 (375)	19 (9)	57 (3420)
CP 0009 ES	Arrondi ¾ - Hex. ⅜ x 3½ (Arrondi 19 - Hex. 14,7 x 89)	10,14 (4,6)	1,25 (31,8)	1,38 (35)	14,76 (375)	19 (9)	57 (3420)
CP 0009 F	à cannelures	8,82 (4,0)	1,25 (31,8)	1,38 (35)	14,76 (375)	19 (9)	57 (3420)
CP 0014 RR	Hex. ¾ x 3¼ (Hex. 22 x 82,5)	14,77 (6,7)	1,87 (47,6)	1,38 (35)	18,50 (470)	47 (22)	42 (2520)
CP 0014 RRBS	Hex. ¾ x 3¼ (Hex. 22 x 82,5)	15,87 (7,2)	1,87 (47,6)	1,38 (35)	18,50 (470)	47 (22)	42 (2520)

Énoncé déclaratif sur les vibrations et le bruit

Niveau de puissance acoustique garanti **L_w** selon la norme ISO 3744 conformément à la directive 2000/14/CE.

Niveau de pression acoustique **L_p** selon la norme ISO 11203.

Niveau des vibrations **A** et incertitude **B** selon la norme ISO 20643. Veuillez consulter le tableau « Données relatives au bruit et aux vibrations » pour les valeurs A, B, etc.

Ces valeurs déclarées ont été obtenues à l'issue de tests de type effectués en laboratoire conformément à la directive ou aux normes énoncées et peuvent être comparées aux valeurs déclarées pour d'autres outils testés conformément aux mêmes directives ou normes. Ces valeurs déclarées ne sont pas appropriées pour l'utilisation dans les évaluations de risques et les valeurs mesurées dans différents lieux de travail peuvent être plus élevées. Les valeurs d'exposition et le risque de blessure pour un utilisateur particulier sont uniques et dépendent de la façon dont il travaille, du matériel sur lequel la machine est utilisée, ainsi que de la durée d'exposition, de l'état physique de l'utilisateur et de l'état de la machine.

Atlas Copco Construction Tools AB, ne peut être tenu pour responsable des conséquences d'une utilisation des valeurs déclarées à la place des valeurs correspondant à l'exposition réelle, dans le cadre d'une évaluation des risques sur un lieu de travail dont nous ne maîtrisons aucun élément.

L'utilisation de cet outil peut entraîner l'apparition du syndrome de vibration du système main-bras si elle n'est pas effectuée de manière adéquate. Vous trouverez guide publié par l'UE sur les vibrations transmises à la main et au bras à l'adresse <http://www.humanvibration.com/EU/VIBGUIDE.htm>

Nous recommandons un programme de contrôle médical pour détecter par avance les symptômes éventuellement liés à l'exposition aux vibrations, afin de permettre la modification des procédures de gestion et la prévention des infirmités futures.

Données relatives au bruit et aux vibrations

Modèle	Bruit		Vibration	
	Valeurs déclarées		Valeurs déclarées	
	Pression acoustique	Puissance acoustique	Valeurs triaxiales	
	ISO 11203	2000/14/CE	ISO 20643	
	L_p r=1m dB(A) rel 20µPa	L_w garanti dB(A) rel 1pW	A m/s ² valeur	B m/s ² étalé
CP 0009 A (pour le burinage)	-	-	20,2	2,5
CP 0009 A (pour le forage)	-	-	21,2	2,6
CP 0009 AC (pour le burinage)	-	-	20,2	2,5
CP 0009 AC (pour le forage)	-	-	21,2	2,6
CP 0009 CS (pour le burinage)	88	103	20,2	2,5
CP 0009 CS (pour le forage)	88	103	21,2	2,6
CP 0009 E (pour le burinage)	-	-	20,2	2,5
CP 0009 E (pour le forage)	-	-	21,2	2,6
CP 0009 ES (pour le burinage)	88	103	20,2	2,5
CP 0009 ES (pour le forage)	88	103	21,2	2,6
CP 0009 F (pour le burinage)	-	-	20,2	2,5
CP 0009 F (pour le forage)	-	-	21,2	2,6
CP 0014 RR (pour le burinage)	-	-	35,4	4,5
CP 0014 RR (pour le forage)	-	-	45,3	5,2
CP 0014 RRBS (pour le burinage)	-	-	35,4	4,5
CP 0014 RRBS (pour le forage)	-	-	45,3	5,2

Déclaration CE de conformité

Déclaration CE de conformité (Directive 2006/42/CE)

Nous, Atlas Copco Construction Tools AB, déclarons par la présente que les machines énumérées ci-dessous sont conformes aux dispositions de la directive européenne 2006/42/CE (directive « Machines »).

Marteaux perforateurs portatifs	Pmax (bar)
CP 0009 CS	6.2
CP 0009 ES	6.2

Représentant agréé de la documentation technique :

Erik Sigfridsson
Atlas Copco Constructions Tools AB
Dragonvägen 2
Kalmar

Directeur général :

Erik Sigfridsson

Fabricant :

Atlas Copco Constructions Tools AB
105 23 Stockholm
Sweden

Lieu et date :

Kalmar, 2010-04-01

DEUTSCH

Inhalt

Einleitung www.CrowderSupply.com • Toll Free: 888-883-5144 47

Informationen zu den Sicherheitshinweisen und zur Betriebsanleitung 47

Sicherheitshinweise 48

- Sicherheits-Signalworte 48
- Personliche Vorsichtsmaßnahmen und Qualifikationen 48
- Installation, Vorsichtsmaßnahmen 48
- Betrieb, Vorsichtsmaßnahmen 49
- Wartung, Vorsichtsmaßnahmen 54
- Lagerung, Vorsichtsmaßnahmen 54

Übersicht 55

- Konstruktion und Funktion 55
- Hauptkomponenten 55
- Etiketten 56

Installation 56

- Auspacken des Bohrers 56
- Schläuche und Anschlüsse 56
- Methoden zur Vermeidung von Einfrieren 57
- Anschließen eines Wasserabscheiders 57
- Schmierem 57
- Werkzeug 58

Betrieb 61

- Vorbereitungen vor der Inbetriebnahme 61
- Start und Stopp 61
- Betrieb 62
- Einlegen von Pausen 62

Wartung 62

- Täglich 62
- Regelmäßige Wartung 63
- Anziehdrehmomente 63
- Montage 63

Lagerung 64

Entsorgung 64

Technische Daten 65

- Maschinendaten 65
- Angaben zu Geräuschemission und Vibration 65
- Angaben zu Geräuschemission und Vibration 66

EG-Konformitätserklärung 67

- EG-Konformitätserklärung (EG-Richtlinie 2006/42/EG) 67

Crowder Supply Co., Inc. • 8495 Roslyn St., Commerce City, CO 80022 • Toll Free: 888-883-5144 • www.CrowderSupply.com

Einleitung

Wir danken Ihnen für die Wahl eines Produkts von Chicago Pneumatic. In der Druckluftwerkzeug-Industrie steht die Marke Chicago Pneumatic seit über 100 Jahren für Leistung und Zuverlässigkeit. www.crowderSupply.com • Toll Free: 888-883-5144

Heute bietet das Unternehmen weltweit eine breite Palette pneumatischer und hydraulischer Werkzeuge. Dazu gehören Abbauhämmer, Bohrhämmer, Meißelhämmer, Tonhämmer, Spitzhacken und Rammkeile, Spitzhämmer, Pumpen und vieles mehr.

Die Marke Chicago Pneumatic garantiert stets leistungsfähige, leicht zu bedienende und zuverlässige Produkte mit einem hervorragenden Preis-Leistungs-Verhältnis.

Weitere Informationen erhalten Sie auf unserer Website: www.cp.com

Atlas Copco Construction Tools AB
105 23 Stockholm
Schweden

Informationen zu den Sicherheitshinweisen und zur Betriebsanleitung

Ziel dieser Anleitung ist es, Sie mit der sicheren und effizienten Bedienung des Bohrhammers vertraut zu machen. Die Anleitung enthält auch Hinweise zur Durchführung regelmäßiger Wartungsarbeiten am Bohrhammer.

Lesen Sie bitte diese Anleitung vor der ersten Benutzung des Bohrhammers genau durch.

Sicherheitshinweise

Lesen Sie bitte vor Installation, Betrieb, Reparatur und Wartung der Maschine bzw. vor dem Wechsel von Zubehör die Sicherheitshinweise und die Betriebsanleitung sorgfältig durch, um die Risiken, die mit ernsthaften Verletzungen oder Lebensgefahr verbunden sein können, zu vermeiden.

Schlagen Sie diese Sicherheitshinweise und Betriebsanleitung am Arbeitsplatz an. Verteilen Sie Kopien an die Mitarbeiter. Stellen Sie sicher, dass jeder Mitarbeiter vor dem Betrieb der Maschine oder vor Wartungsarbeiten diese Sicherheitshinweise und Betriebsanleitung liest.

Darüber hinaus sollten der Bediener oder der Arbeitgeber des Bedieners die spezifischen Risiken bewerten, die bei jeder Anwendung dieser Maschine bestehen.

Sicherheits-Signalworte

Die Sicherheits-Signalworte Gefahr, Warnung und Achtung haben folgende Bedeutung:

GEFAHR	Hinweis auf eine Gefahrensituation, die bei Nichtbeachtung zu schweren oder lebensgefährlichen Unfällen führt.
WARNUNG	Hinweis auf eine Gefahrensituation, die bei Nichtbeachtung zu schweren oder lebensgefährlichen Unfällen führen kann.
VORSICHT	Hinweis auf eine Gefahrensituation, die bei Nichtbeachtung zu geringen oder leichten Verletzungen führen kann.

Personliche Vorsichtsmaßnahmen und Qualifikationen

Die Maschine darf nur von qualifiziertem und geschultem Personal bedient oder gewartet werden. Dieses muss physisch in der Lage sein, mit Größe, Gewicht und Leistung der Maschine umzugehen. Verlassen Sie sich immer auf Ihren gesunden Menschenverstand.

Schutzausrüstung

Verwenden Sie stets geeignete Schutzausrüstung! Von Mitarbeitern und anderen Personen im Arbeitsbereich ist mindestens folgende Schutzausrüstung zu tragen:

- > Gehörschutz
- > Schutzbrille (mit seitlicher Abschirmung der Augen)
- > Atemmaske (bei Bedarf)
- > Schutzhandschuhe
- > Geeignete Sicherheitsschuhe
- > Geeigneter Arbeitsanzug oder ähnliche (eng anliegende) Kleidung, die Arme und Beine bedeckt.

Drogen, Alkohol oder Medikamente

▲ **WARNUNG Drogen, Alkohol oder Medikamente**

Drogen, Alkohol oder Medikamente können Ihre Urteilskraft und Konzentrationsfähigkeit einschränken. Schlechte Reaktionsfähigkeit und Fehleinschätzungen können zu schweren Verletzungen führen.

- ▶ Bedienen Sie die Maschine niemals, wenn Sie müde sind oder unter dem Einfluss von Drogen, Alkohol oder Medikamenten stehen.
- ▶ Personen, die unter dem Einfluss von Drogen, Alkohol oder Medikamenten stehen, dürfen die Maschine nicht bedienen.

Installation, Vorsichtsmaßnahmen

▲ **GEFAHR Ausschlagender Druckluftschlauch**

Ein Druckluftschlauch, der sich gelöst hat, kann ausschlagen und lebensgefährliche Verletzungen verursachen. Zur Verhütung dieses Unfallrisikos ist Folgendes zu beachten:

- ▶ Stellen Sie sicher, dass Druckluftschlauch und Anschlüsse unbeschädigt sind, und ersetzen Sie diese gegebenenfalls.
- ▶ Stellen Sie sicher, dass sämtliche Druckluftanschlüsse korrekt befestigt sind.
- ▶ Tragen Sie eine Druckluftmaschine niemals am Druckluftschlauch.

- ▶ Ein unter Druck stehender Druckluftschlauch darf unter keinen Umständen abgebaut oder demontiert werden. Schalten Sie zuerst die Druckluft am Kompressor aus und lassen Sie die Maschine durch Betätigen des Start- und Stoppschalters auslaufen.
- ▶ Richte einen Druckluftschlauch nie auf eine andere Person oder den eigenen Körper! Um Verletzungen zu vermeiden, darf Druckluft niemals zum Sauberblasen von Kleidung oder auf ähnliche Weise zweckentfremdet werden.
- ▶ Verwenden Sie an der Werkzeugaufnahme keine Schnellkupplungen. Verwenden Sie Schlaucharmaturen mit Gewinde und aus gehärtetem Stahl (oder aus Material mit vergleichbarer Stoßfestigkeit).
- ▶ Bei Verwendung von Universaldrehkupplungen (Klauenkupplungen) empfehlen wir die Installation von Sicherungsstiften und Sicherungskabeln (die das Umherschlagen von Druckschläuchen verhindern), um den erforderlichen Schutz zu gewährleisten, falls eine Verbindung von Werkzeug zu Schlauch oder von Schlauch zu Schlauch versagt.

▲ WARNUNG Lösen des Werkzeugs

Wenn die Werkzeugaufnahme nicht arretiert ist, kann das Werkzeug mit Gewalt ausgeworfen werden. Dies kann zu ernsthaften Verletzungen führen.

- ▶ Starten Sie die Maschine niemals während des Werkzeugwechsels.
- ▶ Schalten Sie vor dem Wechseln von Werkzeug oder Zubehör immer die Energieversorgung aus, und lassen Sie die Maschine durch Betätigen des Start- und Stoppschalters auslaufen.
- ▶ Richten Sie das Werkzeug nie auf eine andere Person oder den eigenen Körper!
- ▶ Stellen Sie sicher, dass das Werkzeug vollständig eingesetzt ist und die Werkzeugaufnahme arretiert ist, bevor Sie die Maschine einschalten.
- ▶ Prüfen Sie die Arretierung, indem Sie kräftig und ruckartig am Werkzeug ziehen.

▲ WARNUNG Bewegen / Herausrutschen des Werkzeugs

Eine falsche Werkzeugschaftgröße kann dazu führen, dass das eingesetzte Werkzeug während des Betriebs herausrutscht. Hierbei besteht die Gefahr von ~~www.CrowderSupply.com • Toll Free: 888-883-5144~~ ~~www.CrowderSupply.com • Toll Free: 888-883-5144~~ Verletzungen, z. B. Brüche von Händen und Fingern.

- ▶ Stellen Sie sicher, dass das Werkzeug die für die Maschine passende Größe und Schaftlänge besitzt.
- ▶ Verwenden Sie niemals Werkzeuge ohne Bund.

Betrieb, Vorsichtsmaßnahmen

▲ GEFAHR Explosionsgefahr

Wenn ein heißes Werkzeug mit Explosivstoffen in Kontakt kommt, kann es zu einer Explosion kommen. Bei der Arbeit mit bzw. der Verwendung von bestimmten Materialien können Funken auftreten und Explosionen verursachen. Explosionen können zu ernsthaften Verletzungen oder zum Tod führen.

- ▶ Die Maschine nie in einer explosiven Umgebung betreiben.
- ▶ Verwenden Sie die Maschine niemals in der Nähe von entzündlichen Materialien, Dämpfen oder Staub.
- ▶ Stellen Sie sicher, dass keine verborgenen Gasquellen oder Explosivstoffe vorhanden sind.
- ▶ Bohren Sie niemals in einem alten Bohrloch.

▲ WARNUNG Unerwartete Bewegungen

Das Werkzeug wird während des Betriebs der Maschine stark beansprucht. Das Werkzeug kann nach Ablauf der Lebensdauer aufgrund von Werkstoffermüdung brechen. Wenn das Werkzeug bricht oder verklemmt, kann die Maschine plötzliche und unerwartete Bewegungen ausführen, die Verletzungen verursachen können. Außerdem kann es zu Verletzungen kommen, wenn Sie das Gleichgewicht verlieren oder ausrutschen.

- ▶ Stellen Sie sicher, dass Sie immer eine stabile Standposition einnehmen. Verteilen Sie dazu Ihr Körpergewicht auf beide Füße, die schulterbreit auseinanderstehen.
- ▶ Prüfen Sie die Ausrüstung vor jeder Anwendung. Bei Schadensverdacht darf die Ausrüstung auf keinen Fall verwendet werden.
- ▶ Stellen Sie sicher, dass die Griffe sauber und frei von Fett oder Öl sind.

- ▶ Halten Sie Ihre Füße vom Werkzeug fern.
- ▶ Stehen Sie sicher und halten Sie die Maschine mit beiden Händen fest.
- ▶ Bohren Sie niemals in einem alten Bohrloch.
- ▶ Starten Sie niemals die Maschine, wenn der Griff dem Boden liegt.
- ▶ „Reiten“ Sie niemals mit einem Bein über dem Griff auf der Maschine.
- ▶ Gehen Sie mit der Ausrüstung sorgsam um.
- ▶ Prüfen Sie das Werkzeug regelmäßig auf Abnutzung, Beschädigungen oder sichtbare Risse.
- ▶ Achten Sie während des Betriebs auf ungewöhnliche Vorgänge.

▲ **WARNUNG Gefahr durch Blockieren**

Wenn das Werkzeug während des Betriebs blockiert und Sie die Maschine nicht mit ausreichender Kraft festhalten, fängt die ganze Maschine an, sich zu drehen. Dieses unerwartete Drehen der gesamten Maschine kann zu schweren Verletzungen oder zum Tod führen.

- ▶ Stehen Sie sicher und halten Sie die Maschine immer mit beiden Händen fest.
- ▶ Stellen Sie sicher, dass der Griff/die Griffe sauber und frei von Fett oder Öl sind.
- ▶ Bohren Sie niemals in einem alten Bohrloch.

▲ **WARNUNG Gefahr durch Erfassen von Kleidung**

Es besteht die Gefahr, dass Schals, Halstücher, Haare und Handschuhe in rotierendes Einsteckwerkzeug oder Zubehör eingerollt oder eingezogen werden. Dies kann zu ernsthaften bzw. tödlichen Verletzungen durch Erwürgen, Skalpieren oder Aufschlitzen führen. Zur Verhütung dieses Unfallrisikos ist Folgendes zu beachten:

- ▶ Versuchen Sie niemals, einen rotierenden Bohrstahl zu berühren oder anzufassen.
- ▶ Tragen Sie keine Kleidung (z. B. Halstücher usw.), die erfasst werden kann.
- ▶ Decken Sie lange Haare mit einem Haarnetz ab.

▲ **WARNUNG Gefahren durch Abgase und Staub**

Staub und/oder Abgase, die beim Betrieb der Maschine erzeugt oder freigesetzt werden, können zu ernsthaften und chronischen Atemwegserkrankungen oder zu körperlichen Beeinträchtigungen führen (z. B. zu Silikose, ernsthaften chronischen Lungenerkrankungen, Krebs, Erbkrankheiten und/oder Hautentzündungen).

Einige Staubsorten und Abgase, die beim Bohren, Aufbrechen, Hämmern, Sägen, Schleifen oder anderen Bautätigkeiten freigesetzt werden, enthalten chemische Elemente, die Atemwegserkrankungen, Krebs oder Erbkrankheiten auslösen. Dazu gehören z. B.:

- > Steinstaub, Zement und andere Baustoffe.
- > Arsen und Chrom aus chemisch behandeltem Gummi.
- > Blei aus bleihaltigen Farben.

In der Luft vorhandene Abgase und Staub können für das bloße Auge unsichtbar sein. Verlassen Sie sich daher nicht auf eine lediglich optische Kontrolle, ob Abgase und Staub in der Luft vorhanden sind.

Um die Gefahren durch Abgase und Staub zu vermindern, befolgen Sie folgende Anweisungen:

- ▶ Führen Sie eine auf den jeweiligen Arbeitsplatz bezogene Risikoanalyse durch. Die Risikoanalyse sollte die von der Maschine freigesetzten Abgase und Staub sowie ein mögliches Aufwirbeln von vorhandenem Staub berücksichtigen.
- ▶ Verwenden Sie geeignete technische Hilfsmittel zur Minimierung von Abgasen und Staub in der Luft sowie auf der Oberfläche von Ausrüstung, Kleidung und Körperteilen. Zu solchen Hilfsmitteln gehören z. B.: Absaugungen und Staubsammelsysteme, Sprühwasseranlagen und Nassbohren. Begrenzen Sie Staub und Abgase möglichst an deren Entstehungsquelle. Stellen Sie sicher, dass diese Hilfsmittel korrekt installiert, gewartet und angewendet werden.
- ▶ Tragen Sie stets geeignete sowie korrekt angewendete und gewartete Atemmasken, entsprechend den Anweisungen des Arbeitgebers sowie entsprechend den betrieblichen Gesundheits- und Sicherheitsbestimmungen. Die Atemmaske muss für die jeweilige Substanz geeignet (und möglichst von der zuständigen staatlichen Behörde genehmigt) sein.
- ▶ Arbeiten Sie in einem gut belüfteten Bereich.

- ▶ Verfügt die Maschine über ein Abgasrohr, richten Sie dieses so aus, dass die Staubaufwirbelungen in staubigen Umgebungen möglichst gering sind.
- ▶ Betrieb und Wartung der Maschine sind entsprechend den Sicherheitshinweisen und der Betriebsanleitung durchzuführen.
- ▶ Auswahl, Wartung und Austausch von Verbrauchsmaterialien/ Werkzeugen/ anderem Zubehör sind entsprechend den Sicherheitshinweisen und der Betriebsanleitung durchzuführen. Die falsche Wahl oder ungenügende Wartung von Verbrauchsmaterialien/ Werkzeugen/ anderem Zubehör kann die Freisetzung von Staub und Abgasen erhöhen.
- ▶ Tragen Sie am Arbeitsplatz abwaschbare oder Einwegschutzkleidung; Duschen Sie oder wechseln Sie die Kleidung vor dem Verlassen des Arbeitsplatzes, um Ihre eigene Belastung durch Staub und Abgase und die anderer Personen bzw. von Autos, Heimstätten und anderer Bereiche so gering wie möglich zu halten.
- ▶ Vermeiden Sie das Essen, Trinken oder Rauchen in Bereichen, in denen eine Belastung durch Staub und Abgase vorhanden ist.
- ▶ Waschen Sie umgehend nach dem Verlassen des Belastungsbereichs sowie stets vor dem Essen, Trinken, Rauchen oder dem Kontakt mit anderen Personen Ihre Hände und Ihr Gesicht.
- ▶ Beachten Sie alle relevanten Gesetze und Vorschriften sowie die betrieblichen Gesundheits- und Sicherheitsbestimmungen.
- ▶ Nehmen Sie entsprechend den betrieblichen Gesundheits- und Sicherheitsbestimmung an Schulungen zur Luftreinhaltung, medizinischen Prüfungen und Gesundheits- und Sicherheitsprogrammen teil, wenn diese von Ihrem Arbeitgeber oder von den Berufsverbänden angeboten werden. Konsultieren Sie Ärzte, die auf Arbeitsmedizin spezialisiert sind.
- ▶ Arbeiten Sie mit Ihrem Arbeitgeber und Berufsverband zusammen, um die Gefahren durch Abgase und Staub am Arbeitsplatz zu vermindern. Effektive Gesundheits- und Sicherheitsprogramme, -regelungen und -verfahren zum Schutz von Mitarbeitern und anderen Personen vor gefährlichen Stäuben und Abgasen sollten entsprechend dem Rat von Gesundheits- und Sicherheitsexperten erstellt und implementiert werden. Lassen Sie sich von Experten beraten.

▲ **WARNUNG Fliegende Splitter**

Fehler des Werkstücks, des Zubehörs oder der Maschine selbst können mit hoher Geschwindigkeit fliegende Splitter erzeugen. Beim Arbeiten können Splitter oder andere Partikel des bearbeiteten Materials 888-883-5144 werden und ernsthafte Verletzungen verursachen, wenn Sie den Maschinenbenutzer oder andere Personen treffen. Zur Verhütung dieses Unfallrisikos ist Folgendes zu beachten:

- ▶ Tragen Sie immer geeignete Schutzausrüstung und einen Schutzhelm, einschließlich einer Schutzbrille mit seitlicher Abschirmung der Augen.
- ▶ Stellen Sie sicher, dass Unbefugte den Arbeitsbereich nicht betreten können.
- ▶ Der Arbeitsplatz ist sauber und aufgeräumt zu hinterlassen.
- ▶ Stellen Sie sicher, dass das Werkstück wirklich fest sitzt.

▲ **WARNUNG Gefahren durch Splitter**

Wird das Werkzeug als Handschlagwerkzeug zweckentfremdet, kann dies zu Verletzungen durch Splitter führen.

- ▶ Verwenden Sie ein Werkzeug niemals als Handschlagwerkzeug. Die Werkzeuge sind speziell konstruiert und thermisch behandelt und dürfen nur in einer Maschine verwendet werden.

▲ **WARNUNG Gefahren durch Ausrutschen, Stolpern und Hinfallen**

Es besteht die Gefahr, auszurutschen, zu stolpern oder hinzufallen, z. B. Stolpern über Schläuche oder andere Gegenstände. Ausrutschen, Stolpern oder Hinfallen kann zu Verletzungen führen. Zur Verhütung dieses Unfallrisikos ist Folgendes zu beachten:

- ▶ Stellen Sie stets sicher, dass Ihnen oder anderen Personen keine Schläuche oder andere Objekte in Weg sind.
- ▶ Stellen Sie sicher, dass Sie immer eine stabile Standposition einnehmen. Verteilen Sie dazu Ihr Körpergewicht auf beide Füße, die schulterbreit auseinander stehen.

▲ WARNUNG Gefahren durch Bewegung

Bei Verwendung der Maschine für arbeitsbezogene Tätigkeiten, können Beschwerden an Händen, Armen, Schultern, am Nacken oder an anderen Körperteilen auftreten.

- ▶ Nehmen Sie eine bequeme Körperhaltung ein. Vermeiden Sie unsichere, unausgeglichene oder ungeschickte Haltungen.
- ▶ Bei längeren Tätigkeiten kann das Wechseln der Körperposition das Auftreten von Beschwerden und Ermüdungserscheinungen vermeiden helfen.
- ▶ Nehmen Sie bei anhaltenden oder wiederkehrenden Symptomen professionelle medizinische Hilfe in Anspruch.

▲ WARNUNG Gefahren durch Vibration

Der Anwender ist auch bei normaler und richtiger Anwendung der Maschine Vibrationen ausgesetzt. Häufige und regelmäßige Vibrationsbelastungen können zu Verletzungen der Finger, Hände, Unterarme, Schultern und/oder der Nerven- oder Blutbahnen oder anderer Körperteile führen oder andere Körperteile führen oder bestehende Schädigungen verschlimmern. Es können chronische Beschwerden oder Schwächungen entstehen, die sich nur allmählich über Zeiträume von Wochen, Monaten oder Jahren entwickeln. Dazu kann eine Schädigung oder Störung des Blutkreislaufs, des Nervensystems, des Bewegungsapparats oder anderer Körperstrukturen gehören.

Falls während oder nach der Benutzung der Maschine andauernde Beschwerden, wie Taubheit, Brennen, Steifheit, Klopfen, Kribbeln, Schmerzen, eingeschränkte Feinmotorik oder Greiffunktion, weißliche Hautverfärbungen oder andere Symptome auftreten, stellen Sie die Arbeit ein, benachrichtigen Sie Ihren Arbeitgeber und begeben Sie sich in medizinische Betreuung. Wenn Sie nach dem Auftreten der genannten Beschwerden die Arbeit an der Maschine fortsetzen, kann das zu einer Verschlimmerung der Beschwerden oder zu chronischen Erkrankungen führen.

Betrieb und Wartung der Maschine sind entsprechend dieser Anleitung durchzuführen, um unnötig starke Vibrationen zu vermeiden.

Die folgenden Hinweise können dazu beitragen, die Vibrationsbelastung für den Anwender gering zu halten:

- ▶ Lassen Sie das Werkzeug die Arbeit verrichten. Wenden Sie zum Festhalten der Maschine nur soviel Kraft auf, wie für deren einwandfreie Steuerbarkeit und sicheren Betrieb mindestens erforderlich ist.
- ▶ Verfügt die Maschine über vibrationsdämpfende Griffe, halten Sie diese in einer zentralen Position, d. h. vermeiden die Griffe bis zum Anschlag nach unten zu drücken.
- ▶ Bei laufendem Schlagmechanismus dürfen Sie keinen anderen Körperkontakt mit der Maschine haben als die Hände am Griff oder an den Griffen. Vermeiden Sie jeden anderen Kontakt, z. B. Anlehnen irgendeines Körperteils an die Maschine, um die Vorschubkraft zu erhöhen. Wichtig ist auch, beim Zurückziehen des Werkzeugs aus der aufgebrochenen Bearbeitungsfläche den Start- und Stoppschalter nicht gedrückt zu halten.

- ▶ Stellen Sie sicher, dass das eingesetzte Werkzeug gut gewartet und nicht abgenutzt ist (einschl. der Schärfe, wenn es sich um ein Schneidwerkzeug handelt) und die richtige Größe hat. Werkzeuge, die nicht gut gewartet oder abgenutzt sind oder die falsche Größe haben, bewirken längere Bearbeitungszeiten und damit auch längere und höhere Vibrationsbelastungen.
- ▶ Stellen Sie sofort die Arbeit ein, wenn die Maschine plötzlich stark zu vibrieren anfängt. Ermitteln und beseitigen Sie die Ursache der verstärkten Vibrationen, bevor Sie die Arbeit fortsetzen.
- ▶ Fassen Sie während des Betriebs der Maschine niemals das Werkzeug an bzw. halten Sie es niemals fest.
- ▶ Nehmen Sie an medizinischen Untersuchungen und Kontrollen teil, wenn diese von Ihrem Arbeitgeber angeboten werden oder gesetzlich vorgeschrieben sind.
- ▶ Tragen Sie beim Arbeiten in kalter Umgebung warme Kleidung, und halten Sie Ihre Hände warm und trocken.

Lesen Sie die für diese Maschine geltenden „Angaben zu Geräuschemission und Vibration“ einschließlich der angegebenen Vibrationswerte. Diese Informationen befinden sich am Ende dieser Sicherheitshinweise und Betriebsanleitung.

- ◆ Halten Sie den für den Betrieb der Maschine empfohlenen Luftdruck ein. Höherer oder niedrigerer Luftdruck als der empfohlene kann zu stärkeren Vibrationen führen.

▲ GEFAHR Gefahren durch elektrischen Strom

Die Maschine ist nicht elektrisch isoliert. Wenn die Maschine mit Elektrizität in Kontakt kommt, kann dies zu ernsthaften Verletzungen oder zum Tod führen.

- ▶ Betreiben Sie die Maschine niemals in der Nähe von elektrischen Leitungen oder anderen Stromquellen.
- ▶ Stellen Sie sicher, dass innerhalb des Arbeitsbereichs keine verborgenen elektrischen Quellen vorhanden sind.

▲ WARNUNG Gefahren durch verborgenen Objekte

Beim Arbeiten stellen verborgene Leitungen und Rohre eine Gefahr dar, die zu ernsthaften Verletzungen führen kann.

- ▶ Lesen Sie vor Beginn der Arbeiten die Zusammensetzung des Materials.
- ▶ Achten Sie auf verborgene Kabel und Leitungen, z. B. Elektro-, Telefon-, Wasser-, Gas- und Abwasserleitungen.
- ▶ Wenn Sie glauben, dass das Werkzeug ein verborgenes Objekt getroffen hat, schalten Sie die Maschine sofort aus.
- ▶ Stellen Sie sicher, dass keine Gefahr besteht, bevor Sie fortfahren.

▲ WARNUNG Unbeabsichtigter Start

Unbeabsichtigtes Starten der Maschine kann zu Verletzungen führen.

- ▶ Halten Sie Ihre Hände so lange vom Start- und Stoppschalter fern, bis Sie zum Starten der Maschine bereit sind.
- ▶ Machen Sie sich damit vertraut, wie die Maschine im Notfall ausgeschaltet wird.
- ▶ Lassen Sie bei jeglicher Unterbrechung der Energieversorgung sofort den Start- und Stoppschalter los.
- ▶ Schalten Sie bei jedem Einsetzen/Entfernen des Werkzeugs die Luftzufuhr ab, lassen Sie die Maschine durch Betätigen des Start- und Stoppschalters auslaufen, und trennen Sie die Maschine von der Energieversorgung.

▲ WARNUNG Gehörverlust

Hohe Schallpegel können zu bleibendem Hörverlust und anderen Problemen wie Tinnitus (Klingel-, Summ-, Brumm- oder Pfeifgeräusche in den Ohren) führen. Zur Verringerung dieser Gefahren und zur Vermeidung von unnötig hohen Schallpegeln ist Folgendes zu beachten:

- ▶ Eine Risikoanalyse dieser Gefahren und eine Implementierung geeigneter Kontrollmaßnahmen werden dringend empfohlen.
- ▶ Betrieb und Wartung der Maschine sind entsprechend dieser Anleitung durchzuführen.
- ▶ Auswahl, Wartung und Austausch des Werkzeugs sind entsprechend dieser Anleitung durchzuführen.

- ▶ Verfügt die Maschine über einen Schalldämpfer, stellen Sie sicher, dass dieser angebracht und in einwandfreiem Zustand ist.
- ▶ Tragen Sie stets einen Gehörschutz.
- ▶ Verwenden Sie dämpfende Materialien, um das „Klingeln“ von Werkstücken zu vermeiden.

Lagerung, Vorsichtsmaßnahmen

- ◆ Lagern Sie die Maschine und die Werkzeuge in einer abgeschlossenen Umgebung und für Kinder unzugänglich.

Wartung, Vorsichtsmaßnahmen

▲ **WARNUNG** Änderungen an der Maschine

Änderungen an der Maschine können zu schweren Unfällen führen.

- ▶ Nehmen Sie niemals Änderungen an der Maschine vor. Bei modifizierten Maschinen entfallen Garantie und Produkthaftung.
- ▶ Verwenden Sie stets Originalteile, Originalwerkzeuge und Originalzubehör.
- ▶ Wechseln Sie beschädigte Bauteile sofort aus.
- ▶ Ersetzen Sie verschlissene Komponenten rechtzeitig.

▲ **VORSICHT** Heißes Werkzeug

Die Spitze des Werkzeugs kann während des Betriebs sehr heiß und scharf werden. Das Berühren der Spitze kann zu Verbrennungen und Schnittverletzungen führen.

- ▶ Berühren Sie niemals ein heißes oder scharfes Werkzeug.
- ▶ Warten Sie mit eventuellen Wartungsarbeiten bis sich das Werkzeug abgekühlt hat.

▲ **WARNUNG** Gefahren durch Werkzeuge

Sofern die Energieversorgung noch angeschlossen ist, kann ein unbeabsichtigtes Betätigen des Start- und Stoppschalters während Wartungs- oder Installationstätigkeiten zu ernsthaften Verletzungen führen.

- ▶ Prüfen, säubern, installieren oder entfernen Sie niemals das Werkzeug bei noch angeschlossener Energieversorgung.

Übersicht

Lesen Sie bitte vor dem Betrieb der Maschine die Sicherheitshinweise auf den vorangegangenen Seiten dieses Handbuchs, um Unfallrisiken, die mit ernsthaften Verletzungen oder Lebensgefahr verbunden sein können, zu vermeiden.

Konstruktion und Funktion

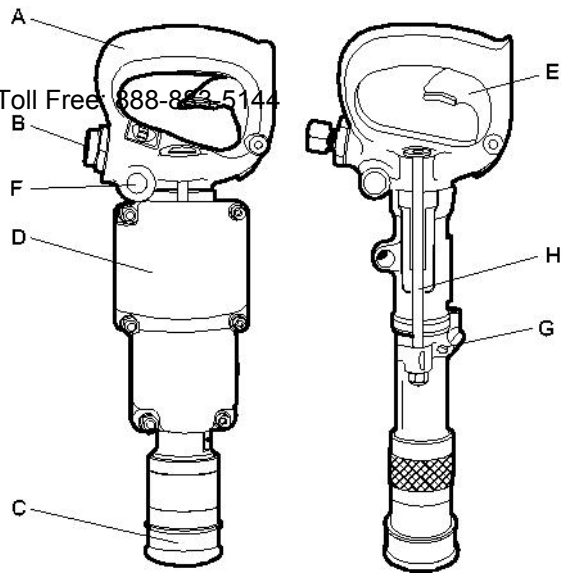
CP 0009 und CP 0014 sind kombinierte Bohr- und Abbruchhämmer für horizontalen und vertikalen Einsatz.

CP 0009 ist rechtsläufig und mit einer Schnellwechsel-Aufnahme ausgestattet. Die Maschine kann je nach Modell durch Wechseln des Werkzeugs oder durch Aktivieren der Rotationsauslösung auf Bohr- oder Abbrucharbeiten umgestellt werden. Anwendungsbeispiele sind Bohren, Meißeln oder Treibhämtern in Beton oder Mauerwerk. Andere Einsatzgebiete sind nicht zulässig.

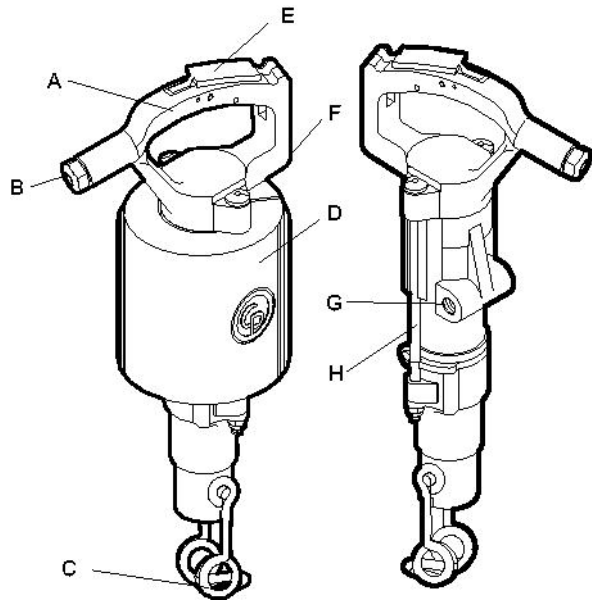
CP 0014 ist rechtsläufig und mit einer Schnellspann-Aufnahme ausgestattet. Die Maschine kann durch Aktivieren der Rotationsauslösung auf Bohr- oder Abbrucharbeiten umgestellt werden. Anwendungsbeispiele für den Einsatz als Bohrhämmer sind das Bohren in Granit, Beton, Kalkstein, Mauerwerk oder ähnlichen Materialien. Anwendungsbeispiele für den Einsatz als Abbruchhämmer sind das Meißeln oder Treibhämtern in Beton oder Mauerwerk. Andere Einsatzgebiete sind nicht zulässig.

Zur Wahl des richtigen Werkzeugs schlagen Sie bitte in der Ersatzteilliste nach.

Hauptkomponenten



CP 0009



CP 0014

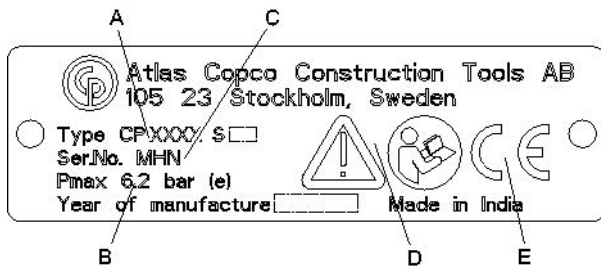
- A. Griff
- B. Lufteinlassnippel
- C. Werkzeugaufnahme
- D. Schalldämpfer
- E. Auslöser
- F. Schmiervorrichtung
- G. Rotationsauslösung

H. Durchgangsschraube

Etiketten

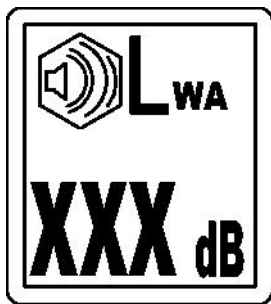
An der Maschine sind Etiketten angebracht, die wichtige Informationen zu Sicherheit und Wartung angebracht. Die Etiketten müssen stets gut lesbar sein. Neue Etiketten können anhand der Ersatzteilliste bestellt werden.

Typenschild



- A. Maschinentyp
- B. Max. zulässiger Druckluftdruck
- C. Seriennummer
- D. Das Warnsymbol und das Buchsymbol weisen darauf hin, dass Sie vor dem ersten Einsatz der Maschine die Sicherheitshinweise und die Betriebsanleitung lesen müssen.
- E. Das CE-Zeichen zeigt an, dass die Maschine EG-geprüft ist. Weitere Informationen dazu finden Sie in der beigelegten EG-Konformitätserklärung. Fehlt das CE-Zeichen, bedeutet dies, dass die Maschine nicht EG-geprüft ist.

Geräuschpegetikett



Das Etikett gibt den garantierten Geräuschpegel entsprechend der EC-Richtlinie 2000/14/EC an. Den korrekten Geräuschpegelwert finden Sie unter „Technische Daten“.

Sicherheitsschild



Lesen Sie vor Benutzung und Wartung des Werkzeugs die separat mitgelieferten Sicherheitshinweise sorgfältig durch, um Verletzungen zu vermeiden.

Installation

Auspacken des Bohrers

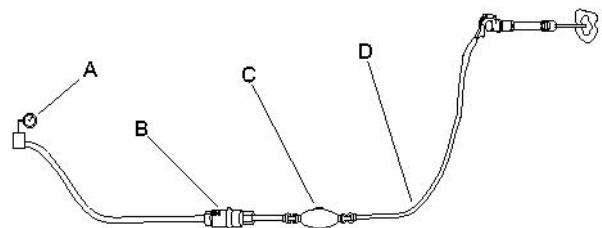
Kunststoffabdeckungen

Entfernen Sie vor dem ersten Einsatz des Bohrers alle Kunststoffabdeckungen an den Schlauchnippeln.

Schmieren

Füllen Sie nach dem Auspacken und der Installation des Werkzeugs reichlich Schmieröl in den Luftanschluss.

Schläuche und Anschlüsse



- A. Druckluftquelle
- B. Wasserabscheider (optional)
- C. Schmiervorrichtung (optional)
- D. Max. 10 feet (3 m) Druckluftschlauch zwischen Schmiervorrichtung und Maschine.

- ◆ Stellen Sie sicher, dass Sie den richtigen Luftdruck von 87 psig (6 bar (e)) eingestellt haben.
- ◆ Der für die Maschine zulässige maximale Luftdruck von 90 psig (6,2 bar (e)) darf nicht überschritten werden.
- ◆ Blasen Sie alle Verunreinigungen aus dem Druckluftschlauch aus, bevor Sie die Maschine anschließen.
- ◆ Wählen Sie für den Druckluftschlauch den richtigen Durchmesser und die passende Länge aus. Für Schlauchlängen bis 100 feet (30 m) sollte ein Innendurchmesser von mindestens 3/4" (19 mm) verwendet werden. Für Schlauchlängen von 100 bis 330 feet (30 bis 100 m) sollte ein Innendurchmesser von mindestens 1" (25 mm) verwendet werden.

www.CrowderSupply.com • Toll Free: 888-883-5144

Methoden zur Vermeidung von Einfrieren

Bei Umgebungstemperaturen von 32 bis 50 °F (0 bis 10 °C) und hoher relativer Luftfeuchtigkeit kann sich im Schalldämpfer Eis bilden.

Die Maschine ist so konstruiert, dass eine Eisbildung im Schalldämpfer vermieden wird. Dennoch kann sich unter extremen Bedingungen im Schalldämpfer Eis bilden.

Verwenden Sie einen Wasserabscheider, um das Risiko der Eisbildung weiter zu verringern.

Anschließen eines Wasserabscheiders

Der Schlauch zwischen Kompressor und Wasserabscheider muss so lang sein, dass der Wasserdampf abkühlt und kondensiert, bevor er den Wasserabscheider erreicht.

Wenn die Umgebungstemperatur unter 32 °F (0 °C) liegt, muss der Schlauch kurz genug sein, damit das Wasser im Schlauch nicht gefriert, bevor es den Wasserabscheider erreicht.

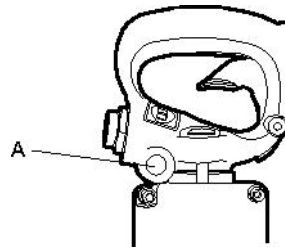
Schmieren

Das Schmiermittel ist wichtig für die Funktionsfähigkeit der Maschine und hat großen Einfluss auf deren nutzbare Lebensdauer.

Anzeichen korrekter Schmierung sind das Vorhandensein von Öldampf in den Abgasen und von leichten Öls Spuren am Bohr- oder Adapterschaft. Zu viel Schmiermittel kann Startprobleme, geringe Leistung oder ungleichmäßigen Lauf verursachen.

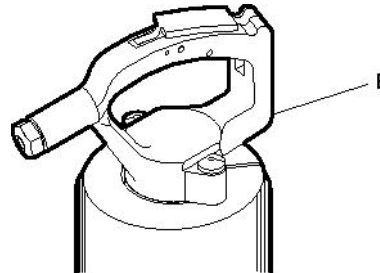
Um die richtige Menge an Schmiermittel zuzuführen, sollte die integrierte Schmiervorrichtung regelmäßig nachgefüllt und überprüft werden. Zusätzlich wird die Verwendung einer Druckluftleitungs-Schmiervorrichtung empfohlen, um eine konstante und ausreichende Versorgung mit Schmiermittel sicherzustellen.

Empfohlenes Schmiermittel: Bohrhämmeröl mit einer Viskosität von 100-150 SUS bei 100 °F (ISO VG 22-32).



CP 0009

Entfernen Sie täglich vor dem Einsatz und alle vier Stunden während der Arbeit die Verschlusschraube (A), befeuchten Sie den Filz und füllen Sie den Ölbehälter mit dem empfohlenen Öl auf.



CP 0014

Entfernen Sie täglich vor dem Einsatz und alle vier Stunden während der Arbeit die Verschlusschraube (B), und füllen Sie den Ölbehälter mit dem empfohlenen Öl auf.

Werkzeug

▲ VORSICHT Heißes Werkzeug

Die Spitze des Werkzeugs kann während des Betriebs sehr heiß und scharf werden. Das Berühren der Spitze kann zu Verbrennungen und Schnittverletzungen führen.

- ▶ Berühren Sie niemals ein heißes oder scharfes Werkzeug.
- ▶ Warten Sie mit eventuellen Wartungsarbeiten bis sich das Werkzeug abgekühlt hat.

Auswählen des richtigen Werkzeugs

Die Auswahl des richtigen Werkzeugs ist eine Grundvoraussetzung für die ordnungsgemäße Funktion der Maschine. Um Maschinenschäden zu vermeiden, ist es wichtig, ein qualitativ hochwertiges Werkzeug zu verwenden.

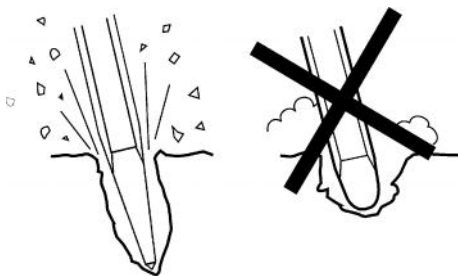
Die Maschine kann durch die Verwendung eines falschen Werkzeugs zerstört werden.

Die empfohlenen Werkzeuge sind in der Ersatzteilliste aufgeführt.

▲ WARNUNG Gefahren durch Vibration

Erfüllt das Werkzeug nicht die unten genannten Anforderungen, führt dies zu einer längeren Bearbeitungszeit und damit auch zu höheren Vibrationsbelastungen. Ein abgenutztes Werkzeug bewirkt ebenfalls längere Bearbeitungszeiten.

- ▶ Stellen Sie sicher, dass das Werkzeug gut gewartet und nicht abgenutzt ist und die richtige Größe hat.
- ▶ Verwenden Sie immer ein scharfes Werkzeug, um effektiv arbeiten zu können.



HINWEIS Kühlen Sie ein heißes Werkzeug niemals in Wasser ab. Dies könnte zur Versprödung des Werkzeugs und zu dessen vorzeitigem Ausfall führen.

▲ WARNUNG Auswurf des Werkzeugs

Wenn die Werkzeugaufnahme nicht arretiert ist, kann das Werkzeug mit Gewalt ausgeworfen werden. Dies kann zu ernsthaften Verletzungen führen.

- ▶ Schalten Sie vor dem Wechseln des Werkzeugs immer die Druckluftversorgung aus und lassen Sie die Maschine durch Betätigen des Start- und Stoppschalters auslaufen.

Vor dem Einsetzen des Bohrstahls

Prüfen Sie, dass das Einsteckende des Werkzeugs die korrekte Größe und Länge für das verwendete Bohrfutter aufweist. Das Einsteckende muss sauber und das Werkzeug muss in einwandfreiem Zustand sein. Einsteckenden, die angeschlagen, abgerundet, nicht rechtwinklig oder zu hart auf der Schlagseite sind, arbeiten ineffizient und verursachen vorzeitige Kolbendefekte.

Kontrolle des Bohrstahls:

Ein stumpfer Bohrstahl reduziert die Bohrgeschwindigkeit und überlastet den Bohrmechanismus. Beim Wechseln des Bohrstahls sicherstellen, dass der neue die korrekte Größe hat, wenn Sie ein angefangenes Bohrloch weiterbearbeiten.

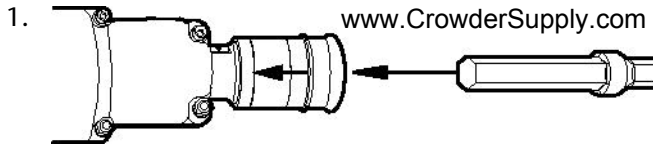
Stellen Sie vor dem Bohren sicher, dass das Spülloch des Bohrstahls nicht blockiert ist.

Falls an den Vierkugelschlitten am Bohrstaftschaff Grate entstehen, polieren Sie diese weg. Dies erleichtert das Einsetzen und Entfernen des Bohrstahls und erhält die optimale Funktion des Bohrfutters.

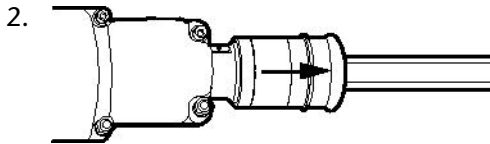
Einsetzen des Werkzeugs

Bei jedem Einsetzen des Werkzeugs müssen die folgenden Anweisungen beachtet werden:

CP 0009

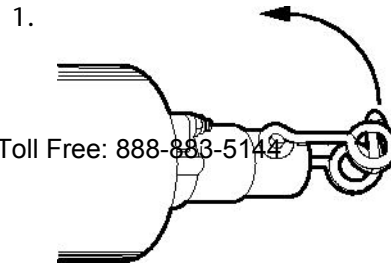


Ziehen und halten Sie die Werkzeugaufnahme in Pfeilrichtung nach hinten, und setzen Sie dabei das Werkzeug in das Spannfutter ein.

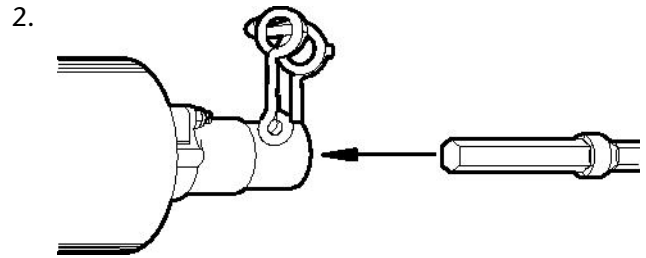


Führen Sie das Werkzeug bis zum Anschlag ein, und schließen Sie die Werkzeugaufnahme, indem Sie sie loslassen. Prüfen Sie die Arretierung, indem Sie kräftig und ruckartig am Werkzeug ziehen.

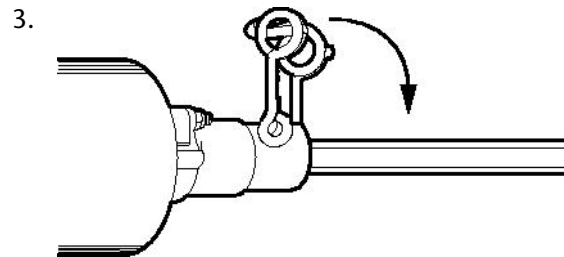
CP 0014



Drücken Sie die Werkzeugaufnahme in Pfeilrichtung nach oben.



Setzen Sie das Werkzeug in das Bohrfutter ein.

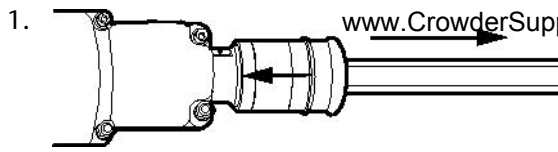


Wenn das Werkzeug den Anschlag berührt, schieben Sie die Werkzeugaufnahme zum Verriegeln zurück.

Entfernen des Werkzeugs

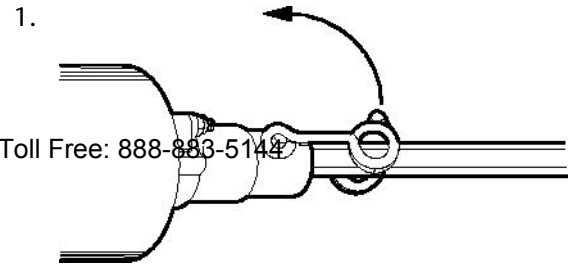
Bei jedem Entfernen des Werkzeugs müssen die folgenden Anweisungen beachtet werden:

CP 0009

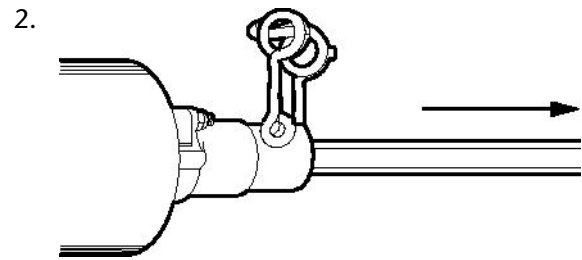


Ziehen und halten Sie die Werkzeugaufnahme in Pfeilrichtung nach hinten, und ziehen Sie dabei das Werkzeug aus dem Spannfutter.

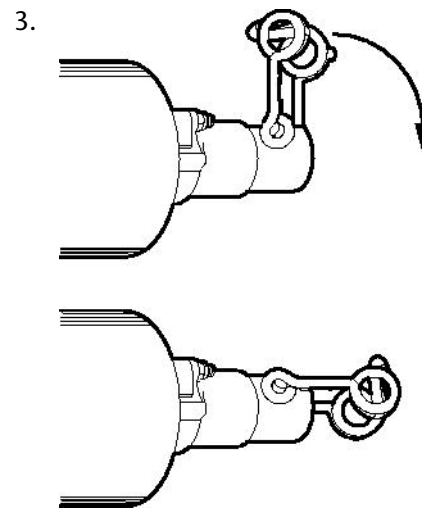
CP 0014



Drücken Sie die Werkzeugaufnahme in Pfeilrichtung nach oben.



Ziehen Sie das Werkzeug heraus.



Drücken Sie die Werkzeugaufnahme zurück.

Betrieb

Vorbereitungen vor der Inbetriebnahme

Prüfen der Bohrausrüstung

- ◆ Stellen Sie sicher, dass die gesamte Bohrausrüstung in einwandfreiem Zustand ist.
- ◆ Prüfen Sie, ob die Arbeitsfläche des Bohrstahl-Einsteckendes glatt und frei von Verschleißspuren ist.
- ◆ Stellen Sie sicher, dass die Luftzufuhr und der Luftauslass frei von Fremdkörpern sind.
- ◆ Stellen Sie sicher, dass die Spülöffnungen im Bohrstahl und in der Bohrspitze nicht blockiert sind und dass Spülluft und -wasser ungehindert fließen können.
- ◆ Stellen Sie sicher, dass die Anschlüsse dicht sind.

▲ GEFAHR Ausschlagender Druckluftschlauch

Ein Druckluftschlauch, der sich gelöst hat, kann ausschlagen und lebensgefährliche Verletzungen verursachen.

- ▶ Stellen Sie sicher, dass Druckluftschlauch und Anschlüsse unbeschädigt sind.
- ▶ Stellen Sie sicher, dass sämtliche Druckluftanschlüsse korrekt befestigt sind.

Ausblasen des Luftschlauchs

- ◆ Der Luftschlauch muss täglich vor dem Einsatz des Bohrhammers ausgeblasen werden, um von angesammelten Verunreinigungen und Feuchtigkeit befreit zu werden.

Schmiervorrichtung mit Öl füllen

- ◆ Stellen Sie sicher, dass das Spannfutter und der Bohrstahtschaft immer mit einem Ölfilm bedeckt sind.

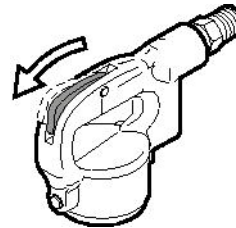
Start und Stopp

▲ WARNUNG Unbeabsichtigter Start

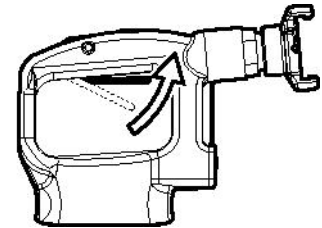
Unbeabsichtigtes Starten der Maschine kann zu Verletzungen führen.

- ▶ Halten Sie Ihre Hände so lange vom Start- und Stoppschalter fern, bis Sie zum Starten der Maschine bereit sind.
- ▶ Machen Sie sich damit vertraut, wie die Maschine im Notfall ausgeschaltet wird.
- ▶ Stoppen Sie die Maschine bei jeglicher Unterbrechung der Energieversorgung.

Start und Stopp

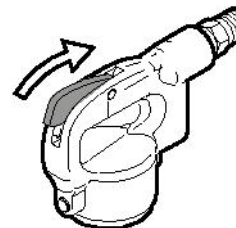


CP 0014

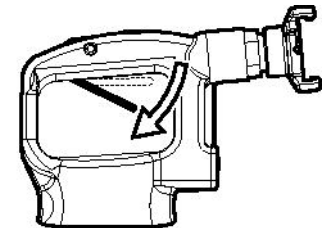


CP 0009

Halten Sie den Griff gut fest, und starten Sie die Maschine durch Drücken des Auslösers.



CP 0014



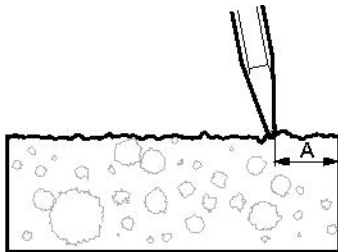
CP 0009

Stoppen Sie die Maschine durch Loslassen des Auslösers. Der Auslöser kehrt automatisch in die Stopposition zurück.

Betrieb

Beginnen eines Abbruchs

- ◆ Nehmen Sie eine stabile Standposition ein und halten Sie Ihre Füße vom Werkzeug fern.
- ◆ Drücken Sie die Maschine vor dem Start auf die Oberfläche des zu bearbeitenden Objekts.
- ◆ Wählen Sie den Ansatzpunkt in einem solchen Abstand von der Bruchkante, dass die Maschine in der Lage ist, das Material ohne Hebelwirkung aufzubrechen.
- ◆ Versuchen Sie niemals, zu große Bruchstücke abzubringen. Passen Sie den Bruchabstand (A) so an, dass das Werkzeug nicht stecken bleibt.



Aufbrechen und Bohren

- ◆ Tragen Sie stets Sicherheitsschuhe, Handschuhe, einen Helm, Gehörschutz und eine Schutzbrille mit seitlicher Abschirmung der Augen.
- ◆ Vermeiden Sie die Bearbeitung extrem harter Materialien, z. B. Granit und Stahllarmierungen (Betonrippenstahl), da dies beträchtliche Vibrationen erzeugt.
- ◆ Prüfen Sie regelmäßig, ob die Maschine gut geschmiert ist.
- ◆ Wenn die Maschine angehoben wird, darf der Auslöser nicht bedient werden.
- ◆ Vermeiden Sie jeglichen Leerschlagbetrieb, z. B. Betrieb der Maschine ohne Werkzeug oder im angehobenen Zustand.
- ◆ Stehen Sie sicher und halten Sie die Maschine immer mit beiden Händen fest.
- ◆ Drücken Sie das Einsteckwerkzeug vor dem Start der Maschine auf die Oberfläche des zu bearbeitenden Objekts.
- ◆ Lassen Sie die Maschine die Arbeit verrichten; drücken Sie nicht zu fest auf.

Einlegen von Pausen

- ◆ Bringen Sie die Maschine während jeder Pause außer Reichweite, so dass ein unbeabsichtigtes Starten der Maschine ausgeschlossen ist.
- ◆ Bei längeren Pausen oder beim Verlassen des Arbeitsplatzes: Schalten Sie die Energieversorgung aus, und lassen Sie die Maschine durch Betätigen des Start- und Stoppschalters auslaufen.

Wartung

Eine regelmäßige Wartung ist die Grundvoraussetzung für den Erhalt der Sicherheit und Effektivität der Maschine. Halten Sie sich bitte genau an die Wartungsanweisungen.

- ◆ Säubern Sie die Maschine vor dem Start, um gefährliche Substanzen fernzuhalten. Siehe „Gefahren durch Abgase und Staub“
- ◆ Verwenden Sie ausschließlich Originalbauteile. Schäden oder Fehlfunktionen, die durch den Einsatz unzulässiger Bauteile entstehen, werden nicht durch Garantie oder Produkthaftung abgedeckt.
- ◆ Stellen Sie beim Reinigen mechanischer Teile mit Lösungsmittel sicher, dass die geltenden Gesundheits- und Sicherheitsvorschriften eingehalten werden und für ausreichende Lüftung gesorgt ist.
- ◆ Für eine Hauptdurchsicht der Maschine wenden Sie sich an Ihre nächste Vertragswerkstatt.
- ◆ Prüfen Sie nach jeder Wartung, ob die Vibrationsstärke der Maschine normal ist. Ist dies nicht der Fall, wenden Sie sich an Ihre nächste Vertragswerkstatt.

Täglich

Schalten Sie bei pneumatischen Maschinen vor jeder Wartung oder jedem Wechsel des Werkzeugs stets die Luftversorgung aus und entlüften Sie die Maschine durch Betätigen des Start- und Stoppschalters. Trennen Sie anschließend den Luftschlauch von der Maschine.

- ◆ Säubern und prüfen Sie die Maschine auf ihre Funktionsfähigkeit täglich vor Arbeitsbeginn.
- ◆ Führen Sie eine allgemeine Prüfung auf Undichtigkeiten und Beschädigungen durch.
- ◆ Stellen Sie sicher, dass der Bohrer festgezogen und die Klauenkupplung nicht beschädigt ist.
- ◆ Prüfen Sie die Funktion der Aufnahme. Stellen Sie sicher, dass der Bohrstahl in der Aufnahme arretiert ist.
- ◆ Wechseln Sie beschädigte Bauteile sofort aus.
- ◆ Ersetzen Sie verschlissene Komponenten rechtzeitig.
- ◆ Prüfen Sie die durchgehenden Bolzen der Maschine, und stellen Sie sicher, dass diese fest angezogen sind.
- ◆ Prüfen Sie den Schalldämpfer der Maschine (sofern vorhanden).

Regelmäßige Wartung

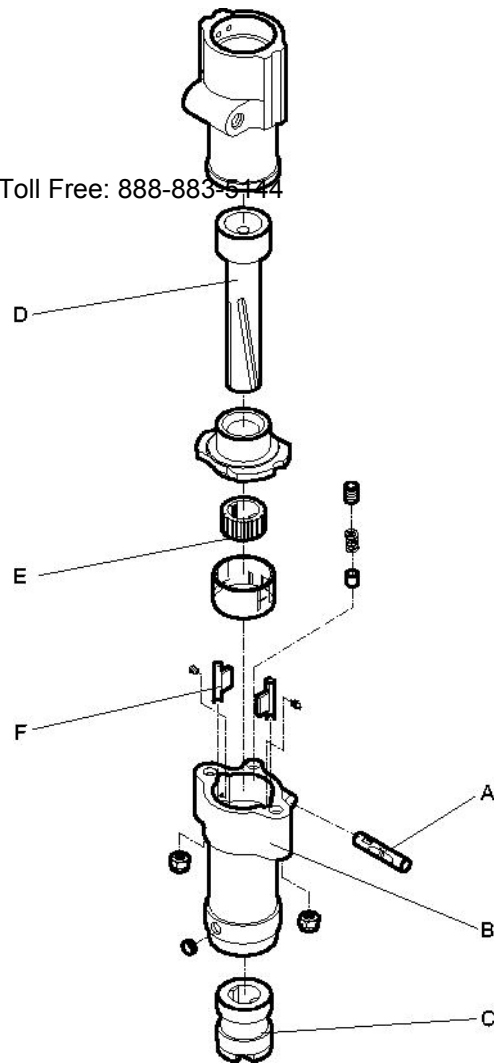
Nach etwa 100 Betriebsstunden oder dreimal pro Jahr muss die Maschine zerlegt und alle Teile gereinigt und geprüft werden. Diese Arbeit muss von speziell hierfür geschultem Personal durchgeführt werden.

Anziehdrehmomente

CP 0009	Mutter für Durchgangsschraube	12-14 ft.lbf (16-19 Nm)
CP 0014	Mutter für Durchgangsschraube	20-23 ft.lbf (27-31 Nm)

Montage

Achten Sie bei der Montage der Maschine auf Folgendes:



- ◆ Legen Sie den Schiebekolben der Rotationsauslösung (A) in die Kopfvorderseite (B) ein, bevor Sie Bohrfutterbuchse (C) montieren.
- ◆ Stellen Sie sicher, dass die gerade Nut am Kolben (D) in die gerade Nut an der Bohrfutterbuchse (C) eingreift und dass die Spiralnut am Kolben (D) in die Spiralnut des Ratschenrings (E) eingreift.
- ◆ Montieren Sie den Ratschenring (E) in der Kopfvorderseite (B), sodass die Enden der Sperrklinken (F) in die Zwischenräume zwischen den Ratschenzähnen eingreifen.
- ◆ Ziehen Sie die Durchgangsschrauben gleichmäßig fest, um ein Verklemmen zu vermeiden. Drehen Sie anschließend das Bohrfutter von Hand durch, um sicherzustellen, dass es sich frei drehen kann.

Lagerung

- > Reinigen Sie die Maschine gut vor der Lagerung, um gefährliche Substanzen fernzuhalten. Siehe „Gefahren durch Abgase und Staub“
- > Füllen Sie ca. 1/2 oz (5 cl) ^{www.CrowderSupply.com • Toll Free: 888-883-5144} Öl direkt in den Lufteinlassnippel, verbinden die Maschine mit der Druckluftversorgung, und lassen Sie sie für ein paar Sekunden laufen.
- > Lagern Sie die Maschine immer an einem trockenen Ort.

Entsorgung

Eine verschlissene Maschine muss so entsorgt werden, dass so viel Material wie möglich wiederverwendet werden kann und die Umwelt in Übereinstimmung mit den örtlichen Regelungen so wenig wie möglich belastet wird.

Technische Daten

Maschinendaten

www.CrowderSupply.com • Toll Free: 888-883-5144

Typ	Schaftgröße in. (mm)	Gewicht lb (kg)	Kolben- bohrung in. (mm)	Kolbenhub in. (mm)	Gesamtlänge in. (mm)	Luftdurchsatz (6 bar) cfm (l/s)	Schlag- frequenz (6 bar) Hz (bpm)
CP 0009 A	Rundschaft $\frac{3}{4}$ x $3\frac{3}{4}$ (Rund 19 x 95)	8,82 (4,0)	1,25 (31,8)	1,38 (35)	14,76 (375)	19 (9)	57 (3420)
CP 0009 AC	Rundschaft $\frac{3}{4}$ x $3\frac{3}{4}$ (Rund 19 x 95)	8,82 (4,0)	1,25 (31,8)	1,38 (35)	14,76 (375)	19 (9)	57 (3420)
CP 0009 CS	Rundschaft $\frac{3}{4}$ x $3\frac{3}{4}$ (Rund 19 x 95)	10,14 (4,6)	1,25 (31,8)	1,38 (35)	14,76 (375)	19 (9)	57 (3420)
CP 0009 E	Rundschaft $\frac{3}{4}$ - Sechskantschaft $\frac{5}{16}$ x $3\frac{1}{2}$ (Rund 19 - Sechskant 14,7 x 89)	8,82 (4,0)	1,25 (31,8)	1,38 (35)	14,76 (375)	19 (9)	57 (3420)
CP 0009 ES	Rundschaft $\frac{3}{4}$ - Sechskantschaft $\frac{5}{16}$ x $3\frac{1}{2}$ (Rund 19 - Sechskant 14,7 x 89)	10,14 (4,6)	1,25 (31,8)	1,38 (35)	14,76 (375)	19 (9)	57 (3420)
CP 0009 F	Keil	8,82 (4,0)	1,25 (31,8)	1,38 (35)	14,76 (375)	19 (9)	57 (3420)
CP 0014 RR	Sechskantschaft $\frac{7}{8}$ x $3\frac{1}{4}$ (Sechskant 22 x 82,5)	14,77 (6,7)	1,87 (47,6)	1,38 (35)	18,50 (470)	47 (22)	42 (2520)
CP 0014 RRBS	Sechskantschaft $\frac{7}{8}$ x $3\frac{1}{4}$ (Sechskant 22 x 82,5)	15,84 (7,2)	1,87 (47,6)	1,38 (35)	18,50 (470)	47 (22)	42 (2520)

Angaben zu Geräuschemission und Vibration

Garantierter Schallleistungspegel **L_w** gemäß EN ISO 3744 in Übereinstimmung mit der Richtlinie 2000/14/EG. Schalldruckpegel **L_p** gemäß ISO 11203.

Vibrationswert **A** und Unsicherheit **B**, ermittelt gemäß ISO 20643. Die Werte A, B usw. sind in der Tabelle „Angaben zu Geräuschemission und Vibration“ enthalten.

Die angegebenen Werte wurden durch Bauartprüfung im Labor entsprechend den angegebenen Richtlinien bzw. Normen ermittelt und eignen sich nur für den Vergleich mit den angegebenen Werten anderer Werkzeuge, die entsprechend den gleichen Richtlinien bzw. Normen ermittelt wurden. Die angegebenen Werte eignen sich nicht zur Verwendung in Risikoanalysen, denn die in individuellen Arbeitsumgebungen gemessenen Werte können höher sein. Die tatsächliche Belastung und das Verletzungsrisiko für den einzelnen Anwender hängen jeweils von der Arbeitsweise des Anwenders, vom bearbeiteten Material, von der Belastungsdauer, von der physischen Kondition des Anwenders und vom Zustand der Maschine ab.

Atlas Copco Construction Tools AB haftet nicht für Folgen, falls die genannten Werte anstelle der Werte verwendet werden, die der tatsächlichen Belastung entsprechen, hervorgehend aus einer individuellen Risikoanalyse in einer Arbeitsplatzsituation, die wir nicht beeinflussen können.

Diese Maschine kann das Hand-Arm Vibrationssyndrom auslösen, wenn sie nicht angemessen bedient wird. Eine EU-Richtlinie zum Umgang mit Hand-Arm-Vibrationen ist über <http://www.humanvibration.com/EU/VIBGUIDE.htm> abrufbar.

Wir empfehlen ein Gesundheitsüberwachungsprogramm zur Erkennung auch erster Symptome, die möglicherweise auf eine Vibrationsbelastung zurückzuführen sind, so dass betriebliche Maßnahmen zur Vorbeugung jeglicher Beeinträchtigungen ergriffen werden können.

Angaben zu Geräuschemission und Vibration

www.CrowderSupply.com • Toll Free: 888-883-5144

Typ	Geräuschemission		Vibration	
	Angegebene Werte		Angegebene Werte	
	Schalldruck	Schallleistung	Dreiachsenwerte	
	ISO 11203	2000/14/EG	ISO 20643	
	Lp r=1m dB(A) bei 20 µPa	Lw garantiert dB(A) bei 1 pW	A m/s ² Wert	B m/s ² Verteilung
CP 0009 A (für Abbrucharbeiten)	-	-	20,2	2,5
CP 0009 A (für Bohrarbeiten)	-	-	21,2	2,6
CP 0009 AC (für Abbrucharbeiten)	-	-	20,2	2,5
CP 0009 AC (für Bohrarbeiten)	-	-	21,2	2,6
CP 0009 CS (für Abbrucharbeiten)	88	103	20,2	2,5
CP 0009 CS (für Bohrarbeiten)	88	103	21,2	2,6
CP 0009 E (für Abbrucharbeiten)	-	-	20,2	2,5
CP 0009 E (für Bohrarbeiten)	-	-	21,2	2,6
CP 0009 ES (für Abbrucharbeiten)	88	103	20,2	2,5
CP 0009 ES (für Bohrarbeiten)	88	103	21,2	2,6
CP 0009 F (für Abbrucharbeiten)	-	-	20,2	2,5
CP 0009 F (für Bohrarbeiten)	-	-	21,2	2,6
CP 0014 RR (für Abbrucharbeiten)	-	-	35,4	4,5
CP 0014 RR (für Bohrarbeiten)	-	-	45,3	5,2
CP 0014 RRBS (für Abbrucharbeiten)	-	-	35,4	4,5
CP 0014 RRBS (für Bohrarbeiten)	-	-	45,3	5,2

EG-Konformitätserklärung

EG-Konformitätserklärung (EG-Richtlinie 2006/42/EG)

Wir, die Atlas Copco Construction Tools AB, erklären hiermit, dass die nachfolgend aufgelisteten Maschinen die Bestimmungen der EG-Richtlinien 2006/42/EG (Maschinenrichtlinie).

Hand-Rotationshammer	Pmax [bar]
CP 0009 CS	6.2
CP 0009 ES	6.2

Bevollmächtigter für die technische Dokumentation:

Erik Sigfridsson
 Atlas Copco Construction Tools AB
 Dragonvägen 2
 Kalmar

Geschäftsführer:

Erik Sigfridsson

Hersteller:

Atlas Copco Construction Tools AB
 105 23 Stockholm
 Sweden

Ort und Datum:

Kalmar, 2010-04-01

ESPAÑOL

Contenido

Introducción www.CrowderSupply.com • Toll Free: 888-883-5144 69

Acerca de las instrucciones de seguridad y de funcionamiento 69

Instrucciones de seguridades 70

- Terminología de las señales de seguridad 70
- Precauciones y cualificaciones del personal 70
- Instalación, precauciones 70
- Funcionamiento, precauciones 71
- Mantenimiento, precauciones 76
- Almacenaje, precauciones 76

Visión general 77

- Diseño y funcionamiento 77
- Piezas principales 77
- Etiquetas 78

Instalación 78

- Desempaquetado de la perforadora 78
- Mangueras y conexiones 78
- Métodos para evitar la congelación 79
- Conexión de un separador de agua 79
- Lubricación 79
- Herramienta de inserción 80

Funcionamiento 83

- Preparaciones antes de la puesta en marcha 83
- Puesta en marcha y parada 83
- En funcionamiento 83
- En los descansos 84

Mantenimiento 84

- A diario 84
- Mantenimiento periódico 85
- Pares de apriete 85
- Montaje 85

Almacenaje 86

Desechar 86

Especificaciones técnicas 87

- Datos de la máquina 87
- Declaración de ruido y vibraciones 87
- Datos de ruido y vibraciones 88

Declaración CE de conformidad 89

- Declaración CE de conformidad (Directiva 2006/42/CE) 89

Crowder Supply Co., Inc. • 8495 Roslyn St., Commerce City, CO 80022 • Toll Free: 888-883-5144 • www.CrowderSupply.com

Introducción

Gracias por elegir productos de la marca Chicago Pneumatic. Durante más de un siglo, la marca Chicago Pneumatic ha sido la representación del rendimiento y la innovación en la industria de herramientas neumáticas. www.crowdersupply.com • Toll Free: 888-883-5144

Actualmente se encuentra en todo el mundo con una amplia gama de herramientas neumáticas e hidráulicas, como por ejemplo martillos, perforadoras, cinceladores, excavadoras de tierra, picos, remachadoras, desbastadoras, bombas y muchas otras herramientas.

La marca Chicago Pneumatic se relaciona con productos potentes y fiables, fáciles de mantener y con una buena relación calidad-precio.

Para obtener más información, visite www.cp.com

Atlas Copco Construction Tools AB
105 23 Estocolmo
Suecia

Acerca de las instrucciones de seguridad y de funcionamiento

El objetivo de estas instrucciones es proporcionarle los conocimientos necesarios para usar la perforadora de roca de manera eficiente y segura. Asimismo, las instrucciones le aconsejan sobre el modo de realizar el mantenimiento regular de la perforadora.

Antes de utilizarla por primera vez debe leer estas instrucciones con atención y entenderlas en su totalidad.

Instrucciones de seguridad

Para reducir el riesgo de que usted u otras personas padezcan lesiones graves o la muerte, lea las Instrucciones de seguridad y funcionamiento antes de instalar, usar, reparar o cambiar la máquina o de realizar su mantenimiento.

Exponga estas instrucciones de seguridad y funcionamiento en las zonas de trabajo, proporcione copias a los empleados y asegúrese de que todos las lean antes de utilizar o reparar la máquina.

Además, el operario o su empleador deberá evaluar los riesgos específicos que pueden surgir como resultado del uso de la máquina.

Terminología de las señales de seguridad

Los términos de seguridad Peligro, Atención y Cuidado tienen los siguientes significados:

PELIGRO	Indica una situación de peligro que, si no se evita, ocasionará la muerte o lesiones graves.
ADVERTENCIA	Indica una situación de peligro que, si no se evita, podría ocasionar la muerte o lesiones graves.
ATENCIÓN	Indica una situación de peligro que, si no se evita, podría ocasionar lesiones menores o moderadas.

Precauciones y cualificaciones del personal

Sólo personas cualificadas y debidamente formadas pueden utilizar u ocuparse del mantenimiento de la máquina. Deben poder manejar físicamente el volumen, el peso y la potencia de la herramienta. Utilice siempre su sentido común y buen juicio.

Equipo de protección personal

Utilice siempre equipo de protección autorizado. Los operarios y el resto del personal del área de trabajo deben llevar, como mínimo, el siguiente equipo de protección:

- > Casco de protección
- > Protección auditiva
- > Protección ocular resistente a los impactos con protección lateral

- > Protección respiratoria, cuando sea necesario
- > Guantes protectores
- > Botas protectoras adecuadas
- > Una bata de trabajo adecuada o prenda similar que cubra los brazos y las piernas.

Drogas, alcohol y medicación

▲ ADVERTENCIA Drogas, alcohol y medicación

Las drogas, el alcohol y la medicación pueden alterar la capacidad de juicio y el poder de concentración. Las malas reacciones y las valoraciones incorrectas pueden provocar accidentes graves o la muerte.

- ▶ Nunca utilice la máquina cuando esté cansado o bajo los efectos de drogas, alcohol o medicinas.
- ▶ Nadie que esté bajo los efectos de drogas, alcohol o medicinas podrá manejar la máquina.

Instalación, precauciones

▲ PELIGRO Manguera de aire suelta

Una manguera de aire comprimido suelta puede asestar latigazos y ocasionar lesiones o incluso la muerte. Para reducir este riesgo:

- ▶ Compruebe que la manguera de aire comprimido y las conexiones no estén dañadas y sustitúyalas si es necesario.
- ▶ Compruebe que todas las conexiones de aire comprimido estén debidamente conectadas.
- ▶ No arrastre nunca una máquina neumática por la manguera del aire.
- ▶ No intente nunca desconectar una manguera de aire comprimido que esté presurizada. En primer lugar, apague el suministro de aire comprimido del compresor y, a continuación, purgue la máquina activando el dispositivo de puesta en marcha y parada.
- ▶ No dirija nunca una manguera de aire comprimido hacia sí mismo ni a otras personas. Para evitar el riesgo de lesiones, no utilice nunca una manguera de aire comprimido para limpiar el polvo, la suciedad, etc. de la ropa.
- ▶ No utilice acoplamiento rápidos de desconexión en la entrada de la herramienta. Utilice fijaciones roscadas de la manguera de acero endurecido (o de otro material con una resistencia de choque similar).

- ▶ Siempre que se utilicen acoplamientos universales roscados (acoplamientos de garras), recomendamos que se coloquen pasadores de seguridad y se utilicen cables con válvula de seguridad para proteger la manguera ante posibles fallos de conexión de la manguera a la herramienta y entre mangueras.

▲ **ADVERTENCIA** **Herramienta de inserción retirada**

Si el retén de la herramienta de la máquina no está en una posición bloqueada, la herramienta insertada se podría retirar de forma forzosa, lo que podría causar lesiones personales.

- ▶ Nunca arranque la máquina mientras cambia la herramienta de inserción.
- ▶ Antes de cambiar la herramienta de inserción o los accesorios, pare la máquina, desconecte la alimentación y purgue la máquina activando el dispositivo de puesta en marcha y parada.
- ▶ Nunca dirija la herramienta insertada hacia usted ni hacia otras personas.
- ▶ Asegúrese de que la herramienta de inserción esté insertada completamente y que el retén de la herramienta esté en una posición bloqueada antes de arrancar la máquina.
- ▶ Compruebe la función de bloqueo tirando de la herramienta insertada hacia fuera con fuerza.

▲ **ADVERTENCIA** **Movimiento o deslizamiento de la herramienta de inserción**

Unas dimensiones incorrectas del vástago de la herramienta insertada pueden dar lugar a que ésta se pierda o resbale durante su uso. Riesgo de lesiones graves o de aplastamiento de manos y dedos.

- ▶ Compruebe que el vástago de la herramienta de inserción tenga la longitud y las dimensiones adecuadas para la máquina.
- ▶ Nunca utilice una herramienta de inserción sin un anillo.

Funcionamiento, precauciones

▲ **PELIGRO** **Peligro de explosión**

Si una herramienta de inserción caliente entra en contacto con explosivos, se podría producir una explosión. Al trabajar con ciertos materiales y al utilizar determinados materiales en las piezas de la máquina, se pueden producir chispas y fuego. Las explosiones producirán lesiones graves o la muerte.

- ▶ Nunca utilice la máquina en un entorno explosivo.
- ▶ Nunca utilice la máquina cerca de materiales inflamables, humos o polvo.
- ▶ Asegúrese de que no haya fuentes de gas ni explosivos no detectados.
- ▶ Nunca perforo un barreno antiguo.

▲ **ADVERTENCIA** **Movimientos inesperados**

La herramienta insertada está expuesta a fuertes tensiones cuando se utiliza la máquina. Además puede romperse por fatiga después de un cierto volumen de uso. Si la herramienta insertada se rompe o se atasca, es posible que haya movimientos repentinos e inesperados que pueden producir lesiones. Por lo tanto, si el usuario pierde el equilibrio o se resbala, podría sufrir lesiones.

- ▶ Asegúrese de estar siempre en una posición estable con los pies separados a la misma distancia que la anchura de los hombros, y con el peso del cuerpo equilibrado.
- ▶ Inspeccione siempre el equipo antes de usarlo. No utilice el equipo si cree que puede estar dañado.
- ▶ Compruebe que las empuñaduras estén limpias y que no tengan grasa ni aceite.
- ▶ Mantenga los pies lejos de la herramienta insertada.
- ▶ Manténgase firmemente de pie y agarre siempre la máquina con ambas manos.
- ▶ Nunca perforo un barreno antiguo.
- ▶ Nunca arranque la máquina cuando esté en el suelo.
- ▶ Nunca “pise” en la máquina con un pie sobre la empuñadura.
- ▶ No golpee nunca ni maltrate el equipo.

- ▶ Compruebe regularmente el desgaste de la herramienta de inserción y compruebe si hay signos de daños o grietas visibles.
- ▶ Preste atención y fíjese en lo que está haciendo.

▲ **ADVERTENCIA Peligro de caídas**

Si la herramienta de inserción se atasca durante el funcionamiento, toda la máquina empezará a girar si deja de sujetarla. Este giro inesperado de toda la máquina podría provocar lesiones graves o la muerte.

- ▶ Manténgase de pie firmemente y agarre siempre la máquina con ambas manos.
- ▶ Compruebe que la empuñadura o las empuñaduras estén limpias y no estén sucias de grasa o aceite.
- ▶ Nunca perforo un barreno antiguo.

▲ **ADVERTENCIA Peligro de atrapamiento**

Existe el riesgo de que algún adorno del cuello, pelo, guantes o prenda de ropa se vea arrastrado o atrapado por la herramienta de inserción giratoria o sus accesorios. Esto puede provocar el estrangulamiento, arrancamiento del cuero cabelludo, desgarros o incluso la muerte. Para reducir el riesgo:

- ▶ Nunca agarre ni toque una barrena de perforación que esté girando.
- ▶ Evite llevar prendas, adornos del cuello o guantes que puedan quedar atrapados.
- ▶ Si tiene el pelo largo, cúbralo con una red.

▲ **ADVERTENCIA Peligros del polvo y del humo**

El polvo y los humos que se generan o dispersan al usar la máquina pueden causar dolencias o enfermedades respiratorias graves y permanentes u otras enfermedades pulmonares irreversibles (por ejemplo, silicosis y otras enfermedades pulmonares irreversibles que pueden resultar mortales, cáncer, malformaciones congénitas e inflamación de la piel).

El polvo y los humos generados por la perforación, la rotura, el martilleo, el aserrado, el esmerilado y otras actividades de construcción pueden contener sustancias consideradas por el Estado de California y otras autoridades como causantes de enfermedades respiratorias, cáncer, malformaciones congénitas y otros daños reproductivos. Algunos ejemplos de estas sustancias son:

- > Sílice cristalino, cemento y otros productos de albañilería.
- > Arsénico y cromo procedente del caucho tratado con sustancias químicas.
- > Plomo procedente de pinturas al plomo.

El polvo y los humos del aire pueden ser invisibles a simple vista, así que no confíe en su buena vista para determinar si hay polvo o humos en el aire.

Para reducir el riesgo de exposición al polvo y a los humos, haga todo lo siguiente:

- ▶ Realice una evaluación del riesgo específica del emplazamiento. La evaluación del riesgo debe incluir el polvo y los humos generados por el uso de la máquina y la posibilidad de alterar el polvo existente.
- ▶ Utilice controles de ingeniería adecuados para minimizar la cantidad de polvo y humos presentes en el aire y para minimizar la acumulación de polvo sobre el equipo, las superficies, la ropa y las partes del cuerpo. Algunos ejemplos de controles son: sistemas de ventilación y captación de polvo, rociadores de agua y perforaciones con inyección de agua. Controle el polvo y los humos en el origen cuando sea posible. Asegúrese de que los controles se instalen, conserven y utilicen adecuadamente.
- ▶ Lleve, conserve y utilice correctamente la protección respiratoria según indican las instrucciones del empleador y según los requisitos de las normativas de salud y seguridad en el trabajo. La protección respiratoria debe ser eficaz para el tipo de sustancia concreta (y, si procede, aprobada por la autoridad gubernamental correspondiente).
- ▶ Trabaje en una zona bien ventilada.

- ▶ Si la máquina tiene tubo de escape, diríjalo convenientemente de forma que se mueva el menor polvo posible donde éste sea abundante.
- ▶ Maneje y conserve la máquina según lo recomendado en las instrucciones de funcionamiento y seguridad.
- ▶ Seleccione, conserve y sustituya los consumibles, la herramienta de inserción y demás accesorios según lo recomendado en las instrucciones de funcionamiento y seguridad. La selección incorrecta o la falta de mantenimiento de los consumibles, de la herramienta insertada y demás accesorios puede causar un aumento innecesario del polvo o de los humos.
- ▶ Lleve prendas protectoras lavables o desechables en el lugar de trabajo; dúchese y póngase ropa limpia antes de salir del lugar de trabajo para reducir su exposición al polvo y a los humos y la de otras personas, coches, casas y otras zonas.
- ▶ Nunca coma, beba ni fume en zonas donde haya polvo o humos.
- ▶ Lávese las manos y la cara a fondo lo antes posible cuando salga de la zona de exposición, y siempre antes de comer, beber, usar productos relacionados con el tabaco o tener contacto con otras personas.
- ▶ Cumpla todas las leyes y normativas aplicables, incluidas las normativas de salud y seguridad en el trabajo.
- ▶ Participe en los programas de control del aire y en los exámenes médicos y en los programas de formación de salud y seguridad proporcionados por su empleador o por las organizaciones sindicales y conformes con las normativas y recomendaciones de salud y seguridad en el trabajo. Consulte con médicos que tengan experiencia en medicina del trabajo.
- ▶ Colabore con su empleador y con la organización sindical para reducir la exposición al polvo y a los humos en las obras y para reducir los riesgos. Se deben crear y poner en práctica programas, políticas y procedimientos eficaces de salud y seguridad, para proteger a los trabajadores y a las demás personas contra la exposición nociva al polvo y a los humos, a partir del asesoramiento de expertos de salud y seguridad. Consulte con los expertos.

▲ **ADVERTENCIA** **Proyectiles**

Un fallo de la pieza de trabajo, de los accesorios o incluso de la propia máquina puede generar proyectiles a alta velocidad. Durante el funcionamiento, las astillas y otras partículas del material de trabajo pueden actuar como proyectiles y causar daños corporales al golpear al operario o a otras personas. Para reducir estos riesgos:

- ▶ Utilice un equipo de protección personal aprobado y un casco de seguridad, incluida la protección ocular contra impactos con protección lateral.
- ▶ Asegúrese de que las personas no autorizadas no entren en la zona de trabajo.
- ▶ Mantenga el lugar de trabajo libre de objetos extraños.
- ▶ Asegúrese de que la pieza de trabajo esté bien sujeta.

▲ **ADVERTENCIA** **Riesgos relacionados con las astillas**

El uso de la herramienta de inserción como herramienta manual de percusión puede hacer que salten astillas al operario y le provoquen lesiones personales.

- ▶ Nunca utilice una herramienta de inserción como herramienta manual de percusión. Está diseñada y tratada térmicamente para su uso específico en una máquina.

▲ **ADVERTENCIA** **Peligros de deslizamiento, desconexión y caída**

Hay riesgo de deslizamiento, desconexión o caída, por ejemplo desconexión de las mangueras u otros objetos. El deslizamiento, la desconexión y la caída pueden provocar lesiones. Para reducir este riesgo:

- ▶ Asegúrese siempre de que no haya mangueras ni otros objetos que obstaculicen su paso o el de otras personas.
- ▶ Asegúrese de estar siempre en una posición estable, con los pies separados a la misma distancia que la anchura de los hombros, y con el peso del cuerpo equilibrado.

▲ **ADVERTENCIA** Riesgos relativos al movimiento

Al usar la máquina para realizar actividades relacionadas con el trabajo, puede experimentar malestar en las manos, los brazos, los hombros, el cuello y otras partes del cuerpo.

- ▶ Adopte una postura cómoda manteniendo el pie firme y evitando extrañas posturas en desequilibrio.
- ▶ El cambio de postura durante las tareas prolongadas puede ayudar a evitar el malestar y la fatiga.
- ▶ En caso de tener síntomas continuos o periódicos, consulte a un profesional de la salud cualificado.

▲ **ADVERTENCIA** Riesgos relativos a las vibraciones

El uso normal y correcto de la máquina expone al operario a las vibraciones. La exposición regular y frecuente a las vibraciones puede ocasionar lesiones

o agravarlos— en dedos, manos, muñecas, brazos, hombros y/o nervios y riego sanguíneo u otras partes del cuerpo del operario, incluidas lesiones o trastornos permanentes y/o debilitantes que pueden desarrollarse gradualmente durante periodos de semanas, meses o años. Estas lesiones o trastornos pueden consistir en el deterioro del sistema circulatorio sanguíneo, del sistema nervioso, de las articulaciones y otros daños en distintas zonas corporales.

Si en algún momento siente entumecimiento, malestar continuo periódico, ardor, agarrotamiento, dolor punzante, hormigueo, dolor, torpeza, débil agarre en las manos, piel pálida u otros síntomas, tanto si está usando la máquina como si no, deje de usarla, avise a su empleador y acuda al médico. El uso continuado de la máquina tras la aparición de alguno de estos síntomas puede hacer que aumente el riesgo de que los síntomas se agraven o se hagan permanentes.

Maneje y conserve la máquina según lo recomendado en estas instrucciones, con el fin de evitar un aumento innecesario de las vibraciones.

Las siguientes indicaciones pueden ayudar a reducir la exposición a las vibraciones para el operario:

- ▶ Deje que sea la máquina la que haga el trabajo. Agárrela lo mínimo, para controlarla correctamente y que su uso sea seguro.
- ▶ Si la máquina tiene empuñaduras de absorción de vibraciones, manténgalas en posición central, evitando presionarlas en los topes finales.
- ▶ Cuando se active el mecanismo de percusión, el único contacto corporal con la máquina que se debe tener es el de las manos en la empuñadura o las empuñaduras. Evite cualquier otro contacto, como por ejemplo descansar una parte del cuerpo en la máquina o apoyarse en ella para aumentar la fuerza de avance. También es importante no mantener el dispositivo de puesta en marcha y parada encendido al mismo tiempo que se extrae la herramienta de la superficie de trabajo rota.

- ▶ Asegúrese de que la herramienta insertada se encuentra en buen estado (incluso el afilado, si se trata de una herramienta de corte), no está gastada y es del tamaño adecuado. Las herramientas de inserción que no se encuentran en buen estado, están gastadas o no son del tamaño adecuado alargan el tiempo de realización de una tarea (y de exposición a las vibraciones) y pueden contribuir a la exposición a niveles más altos de vibración.
- ▶ Deje de trabajar inmediatamente, si de repente la máquina empieza a vibrar violentamente. Antes de continuar trabajando, averigüe y elimine la causa del incremento de las vibraciones.
- ▶ Nunca agarre, sostenga ni toque la herramienta de trabajo cuando utilice la máquina.
- ▶ Participe en las inspecciones o los controles de salud, en los exámenes médicos y en los programas de formación ofrecidos por su empleador y cuando la ley así lo exija.
- ▶ Cuando trabaje en climas fríos lleve ropa de abrigo y mantenga las manos calientes y secas.

Consulte la “Declaración de ruido y vibraciones” de la máquina, incluidos los valores de vibración declarados. Puede encontrar esta información al final de las instrucciones de seguridad y de funcionamiento

- ◆ Asegúrese de satisfacer la presión atmosférica recomendada al utilizar la máquina. Una presión atmosférica más alta o más baja puede producir niveles más altos de vibración.

▲ PELIGRO Riesgos relacionados con la electricidad

La máquina no está aislada eléctricamente. Si la máquina entra en contacto con la electricidad, podría provocar lesiones graves o la muerte.

- ▶ No utilice nunca la máquina cerca de un cable eléctrico ni otra fuente de electricidad.
- ▶ Compruebe que no haya cables u otras fuentes de electricidad ocultos en el área de trabajo.

▲ ADVERTENCIA Peligros relacionados con objetos ocultos

Durante el funcionamiento, los cables y tubos ocultos constituyen un peligro, ya que pueden ocasionar lesiones graves o la muerte.

Compruebe la composición del material antes del funcionamiento.

- ▶ Fíjese bien que no haya cables ni tubos ocultos, como líneas de electricidad, teléfono, agua, gas y aguas residuales.
- ▶ Si la herramienta insertada parece haber topado con un objeto oculto, apague la máquina de inmediato.
- ▶ Compruebe que no haya ningún peligro antes de continuar.

▲ ADVERTENCIA Encendido involuntario

El encendido involuntario de la máquina puede producir lesiones.

- ▶ Mantenga las manos alejadas del dispositivo de puesta en marcha y parada hasta que esté listo para arrancar la máquina.
- ▶ Sepa cómo apagar la máquina en caso de producirse una emergencia.
- ▶ Libere el dispositivo de puesta en marcha y parada inmediatamente siempre que se interrumpa el suministro eléctrico.
- ▶ Cuando inserte o extraiga la herramienta de inserción, interrumpa el suministro de aire, purgue la máquina presionando el dispositivo de puesta en marcha y parada y desconecte la máquina de la unidad de potencia.

▲ ADVERTENCIA Riesgos relacionados con el ruido

Los altos niveles de ruido pueden producir pérdida de audición permanente e incapacitante y otros problemas tales como acúfenos (vibración, zumbido, silbido o ronroneo en los oídos). Para reducir el riesgo y evitar un aumento innecesario de los niveles de ruido:

- ▶ Es esencial hacer la evaluación del riesgo de estos peligros y la puesta en práctica de los controles adecuados.
- ▶ Maneje y conserve la máquina según lo recomendado en estas instrucciones.
- ▶ Seleccione, conserve y sustituya la herramienta de inserción según lo recomendado en estas instrucciones.

- ▶ Si la máquina tiene silenciador, compruebe que esté en su sitio y en buen estado de funcionamiento.
- ▶ Utilice siempre protección para los oídos.
- ▶ Utilice material de amortiguación para evitar que las piezas de trabajo “vibren”.

Almacenaje, precauciones

- ◆ Guarde la máquina y las herramientas en un lugar seguro, fuera del alcance de los niños y bajo llave.

Mantenimiento, precauciones

▲ ADVERTENCIA Modificación de la máquina

Cualquier modificación de la máquina puede provocar daños corporales a usted y a otras personas.

- ▶ Nunca modifique la máquina. Una máquina modificada no estará cubierta por la garantía ni por la responsabilidad del producto.
- ▶ Utilice siempre piezas, herramientas de inserción y accesorios originales.
- ▶ Cambie las piezas dañadas inmediatamente.
- ▶ Sustituya los componentes gastados con la debida antelación.

▲ ATENCIÓN Herramienta de inserción caliente

La punta de la herramienta de inserción puede calentarse con el uso. Si se toca, puede provocar quemaduras y cortes.

- ▶ Nunca toque una herramienta de inserción caliente o afilada.
- ▶ Espere a que la herramienta de inserción se haya enfriado antes de realizar los trabajos de mantenimiento.

▲ ADVERTENCIA Peligros de la herramienta de inserción

La conexión accidental del dispositivo de puesta en marcha y parada durante el mantenimiento o la instalación puede causar lesiones graves cuando la unidad de potencia está conectada.

- ▶ Nunca revise, limpie, instale ni retire la herramienta de inserción mientras la unidad de potencia esté conectada.

Visión general

Para reducir el riesgo de que usted u otras personas padezcan lesiones graves o la muerte, antes de usar la máquina lea la sección de Instrucciones de seguridad que encontrará en las páginas anteriores de este manual.

Diseño y funcionamiento

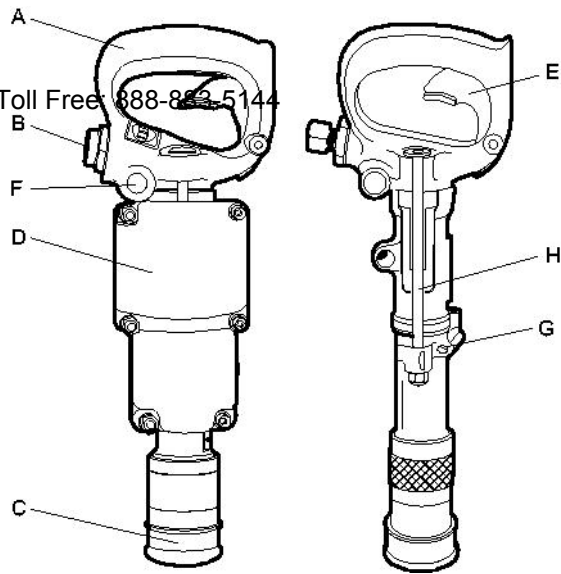
CP 0009 y CP 0014 son máquinas combinadas de perforación y rotura, diseñadas para un uso horizontal y vertical.

CP 0009 está equipada con un retenedor de cambio rápido y tiene rotación a la derecha. Esta máquina se puede adaptar para hacer perforaciones o roturas, cambiando la herramienta de inserción o activando la liberación de la rotación, dependiendo del modelo. Se puede utilizar por ejemplo en perforación, desbarbado o engaste en hormigón o ladrillo. No está permitido ningún otro uso.

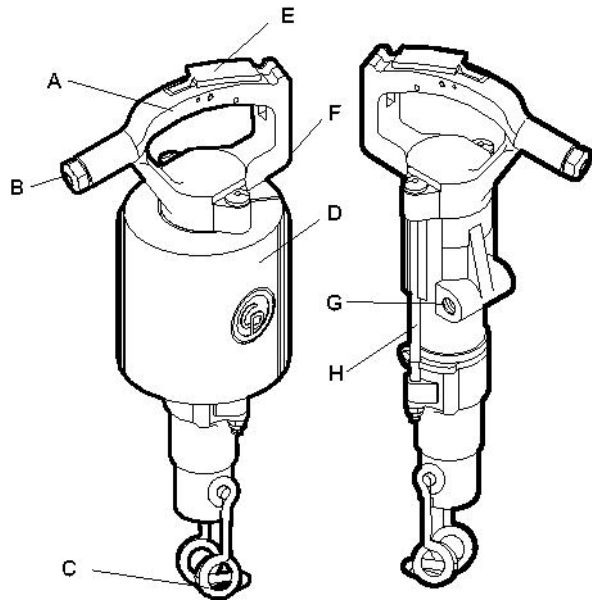
CP 0014 está equipada con un retenedor de resorte y tiene rotación a la derecha. Esta máquina se puede adaptar para hacer perforaciones o roturas, activando la liberación de la rotación. Como perforadora se puede utilizar por ejemplo en perforación de granito, hormigón, piedra caliza, ladrillo y otros materiales similares. Como martillo se puede utilizar para desbarbado y engaste en hormigón o ladrillo. No está permitido ningún otro uso.

Para elegir la herramienta de trabajo adecuada, consulte la lista de piezas de repuesto.

Piezas principales



CP 0009



CP 0014

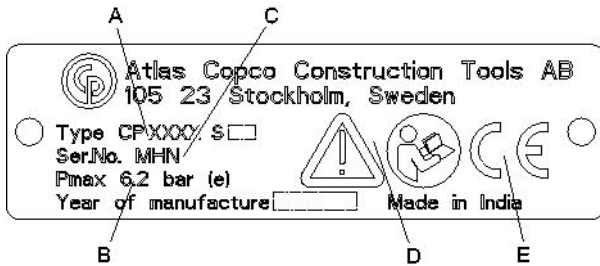
- A. Empuñadura
- B. Boquilla de admisión de aire
- C. Retenedor de la herramienta
- D. Silenciador
- E. Gatillo
- F. Lubricador
- G. Liberación de la rotación

H. Perno pasante

Etiquetas

La máquina incluye etiquetas que brindan información importante sobre la seguridad personal y el mantenimiento de la máquina. Las etiquetas deberán estar en buen estado para que sean fáciles de leer. Se pueden pedir nuevas etiquetas en la lista de piezas de repuesto.

Placa de datos



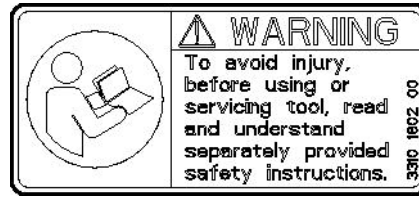
- A. Tipo de máquina
- B. Presión de aire comprimido máxima permitida
- C. Número de serie
- D. El símbolo de atención unido al símbolo del libro significa que el usuario debe leer las instrucciones de seguridad y de funcionamiento antes de usar la máquina por primera vez.
- E. El símbolo CE indica que la máquina tiene la aprobación de la CE. Consulte la declaración de la CE que se suministra con la máquina para obtener más información. Si el símbolo CE no está, significa que la máquina no tiene la aprobación de la CE.

Etiqueta de nivel de ruido



La etiqueta indica el nivel de ruido garantizado correspondiente a la directiva europea 2000/14/CE. Vea “Datos técnicos” para saber el nivel de ruido adecuado.

Etiqueta de seguridad



Para evitar lesiones, antes de usar o de reparar la herramienta, lea y comprenda las instrucciones de seguridad proporcionadas por separado.

Instalación

Desempaquetado de la perforadora

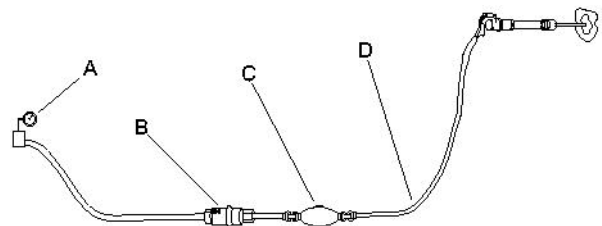
Protecciones de plástico

Antes de utilizar la perforadora por primera vez, deberá retirar todas las protecciones de plástico de las boquillas de las mangueras.

Lubricación

Tras desempaquetar e instalar la herramienta, vierta una cantidad generosa de aceite lubricante en la conexión de aire.

Mangueras y conexiones



- A. Fuente de aire comprimido
- B. Separador de agua (opcional)
- C. Engrasador (opcional)
- D. Manguera de aire comprimido de un máximo de 10 feet (3 meter) entre el engrasador y la máquina.

- ◆ Compruebe que utiliza la presión correcta de funcionamiento recomendada, 87 psig (6 bar (e)).
- ◆ No debe sobrepasarse la presión máxima de aire admisible, 90 psig (6,2 bar (e)).
- ◆ Quite las impurezas de la manguera de aire comprimido antes de conectarla a la máquina.
- ◆ Seleccione las dimensiones correctas y la longitud de la manguera de aire comprimido. Para mangueras con longitudes de hasta 100 feet (30 meters), debe utilizarse una manguera con un diámetro interno mínimo de 3/4" (19 mm). Si la longitud de la manguera es de 100 a 330 feet (30 a 100 meters), debe utilizarse una manguera con un diámetro interno mínimo de 1" (25 mm).

Métodos para evitar la congelación

Puede acumularse hielo en el silenciador cuando la temperatura ambiente es de 32-50°F (0-10°C) y la humedad relativa es alta.

La máquina está diseñada para evitar la formación de hielo en el silenciador. A pesar de eso, en condiciones extremas se puede formar hielo en el silenciador.

Para contrarrestar mejor el riesgo de formación de hielo, utilice un separador de agua.

Conexión de un separador de agua

La longitud de la manguera de aire entre el compresor y el separador de agua debe ser lo suficiente como para que el vapor de agua se enfríe y se condense en la manguera antes de alcanzar el separador de agua.

Si la temperatura ambiente está por debajo de 32 °F (0 °C) el tubo flexible debe ser lo suficientemente corto para impedir que se congele el agua antes de llegar al separador de agua.

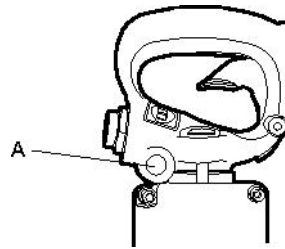
Lubricación

El lubricante es importante para el funcionamiento de la máquina y tiene una gran repercusión en la extensión de la vida útil de la misma.

Son indicios de una lubricación correcta la presencia de niebla de aceite en el aire de escape y de finas trazas de aceite en la perforadora o en el vástago del adaptador. Aplicar demasiado lubricante puede ocasionar problemas de arranque, potencia baja o rendimiento irregular.

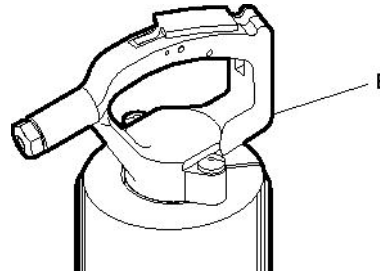
Para suministrar el volumen correcto de aceite, el engrasador incorporado se debe comprobar y rellenar periódicamente. Además, se recomienda usar un engrasador de tubería de aire para garantizar un aporte continuo y adecuado de lubricante.

Lubricante recomendado: Aceite para perforadoras con una viscosidad de 100-150 SUS a 100°F (ISO VG 22-32).



CP 0009

Cada día, antes de usar la máquina y después de cada cuatro horas de servicio, quite el tapón (A), empape el filtro y llene el receptor de aceite con el aceite recomendado.



CP 0014

Cada día, antes de usar la máquina y después de cada cuatro horas de servicio, quite el tapón (B) y llene el receptor de aceite con el aceite recomendado.

Herramienta de inserción

▲ ATENCIÓN Herramienta de inserción caliente

La punta de la herramienta de inserción puede calentarse con el uso. Si se toca, puede provocar quemaduras y cortes.

- ▶ Nunca toque una herramienta de inserción caliente o afilada.
- ▶ Espere a que la herramienta de inserción se haya enfriado antes de realizar los trabajos de mantenimiento.

Selección de la herramienta de inserción adecuada

Seleccionar la herramienta de inserción adecuada es una condición previa para que la máquina funcione correctamente. Es importante elegir herramientas de inserción de alta calidad para evitar que la máquina sufra daños innecesarios.

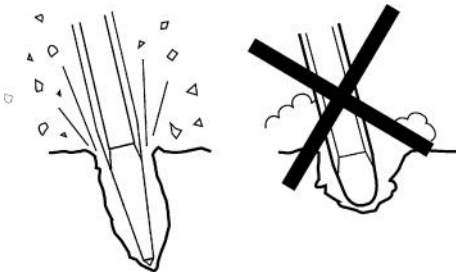
El uso de herramientas de inserción incorrectas puede inutilizar la máquina.

Las herramientas de inserción recomendadas se incluyen en la lista de piezas de repuesto de la máquina.

▲ ADVERTENCIA Riesgos relativos a las vibraciones

Si se utilizan herramientas de inserción que no cumplan los criterios siguientes, se tardará más en terminar la tarea y pueden producirse mayores niveles de exposición a las vibraciones. Si utiliza una herramienta desgastada, aumentará también el tiempo de trabajo.

- ▶ Asegúrese de que la herramienta insertada se encuentra en buen estado, no está gastada y es del tamaño adecuado.
- ▶ Utilice siempre una herramienta afilada para trabajar de manera eficiente.



AVISO No enfríe nunca una herramienta de inserción caliente en agua, ya que puede producirle fragilidad y fallos prematuros.

▲ ADVERTENCIA Herramienta de inserción retirada

Si la herramienta de la máquina no está en una posición bloqueada, la herramienta insertada se puede retirar de forma forzosa, lo que puede causar lesiones personales.

- ▶ Antes de cambiar la herramienta de inserción, pare la máquina, desconecte el suministro de aire comprimido y purgue la máquina activando el dispositivo de puesta en marcha y parada.

Antes de insertar la barrena de perforación

Compruebe que el vástago de la herramienta tiene el tamaño y la longitud adecuados para el mandril utilizado. El vástago debe estar limpio y la herramienta debe estar en buen estado. Los vástagos astillados, redondeados, descuadrados o demasiado duros en el extremo de percusión funcionarán de forma ineficiente y provocarán un funcionamiento incorrecto del pistón de forma prematura.

Inspeccione la barrena de perforación:

Una barrena de perforación desgastada ralentizará la velocidad de perforación y ejercerá una presión excesiva sobre el mecanismo de perforación. Cuando cambie la barrena de perforación, asegúrese de que la nueva sea del tamaño correcto para continuar con la perforación previa.

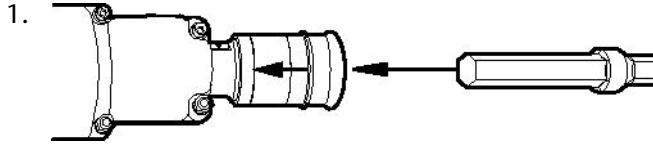
Antes de la perforación, compruebe que el orificio de barrido de la barrena no esté bloqueado.

Si salen rebabas alrededor de las cuatro ranuras de bola del vástago de la barrena de perforación, púlalas suavemente. De esta forma se podrá introducir y extraer más fácilmente la barrena de perforación, y también se utilizará de forma eficiente el mandril.

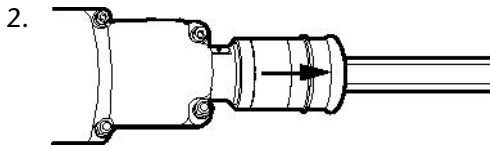
Acoplamiento de la herramienta de inserción

Cuando acople la herramienta de inserción debe respetar las siguientes instrucciones:

CP 0009

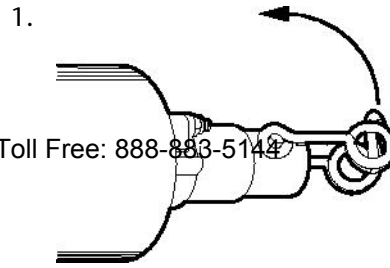


Tire del retenedor de la herramienta y sujételo hacia atrás en el sentido de la flecha, insertando la herramienta de inserción en el mandril al mismo tiempo.

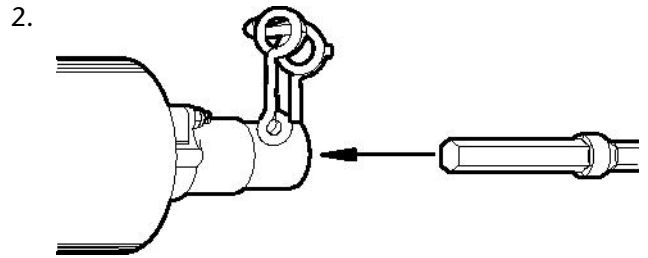


Cuando la herramienta de inserción llegue al final, bloquee el retenedor de la herramienta liberándolo. Compruebe la función de bloqueo tirando de la herramienta insertada hacia fuera con fuerza.

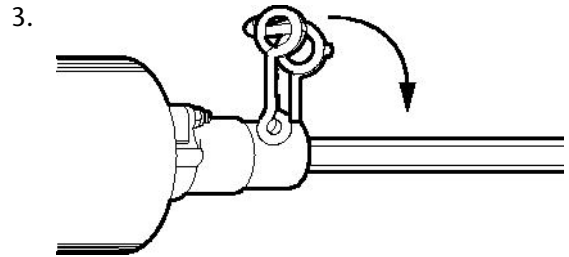
CP 0014



Empuje el retenedor de la herramienta hacia arriba en el sentido de la flecha.



Inserte la herramienta de inserción en el mandril.



Cuando la herramienta de inserción llegue al final, empuje el retenedor de la herramienta hacia atrás para bloquearlo.

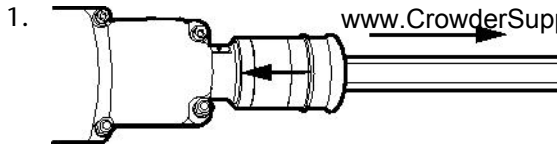
Crowder Supply Co., Inc. • 8495 Roslyn St., Commerce City, CO 80022 • Toll Free: 888-883-5144 • www.CrowderSupply.com

www.CrowderSupply.com • Toll Free: 888-883-5144

Extracción de la herramienta de inserción

Cuando extraiga la herramienta de inserción debe respetar las siguientes instrucciones:

CP 0009

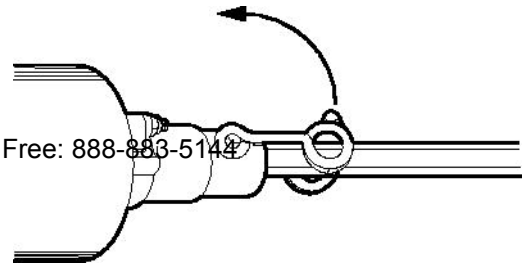


Tire del retenedor de la herramienta y sujételo hacia atrás en el sentido de la flecha, sacando al mismo tiempo la herramienta de inserción tirando de ella.

www.CrowderSupply.com • Toll Free: 888-883-5144

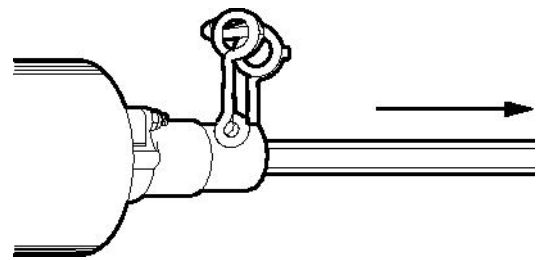
CP 0014

1.



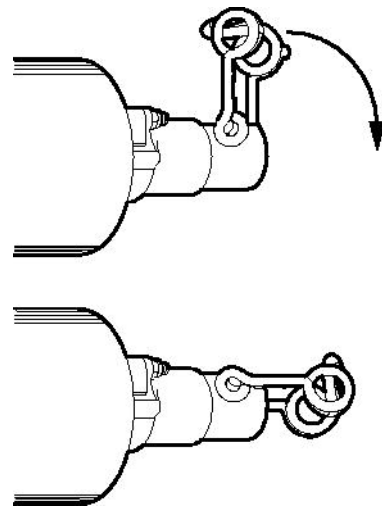
Empuje el retenedor de la herramienta hacia arriba en el sentido de la flecha.

2.



Tire de la herramienta de inserción hacia fuera.

3.



Empuje el retenedor de la herramienta hacia atrás.

Crowder Supply Co., Inc. • 8495 Roslyn St., Commerce City, CO 80022 • Toll Free: 888-883-5144 • www.CrowderSupply.com

Funcionamiento

Preparaciones antes de la puesta en marcha

Control del equipo de perforación

- ◆ Compruebe que todo el equipo de perforación esté en buen estado de funcionamiento.
- ◆ Compruebe que la superficie de impacto del vástago de la barrena sea plana y no presente signos de desgaste.
- ◆ Compruebe que no haya ningún atasco en los puertos de admisión y salida de aire.
- ◆ Compruebe que los orificios de barrido de la barrena o de la broca no estén bloqueados, y que el aire o el agua de barrido fluyan sin ningún impedimento.
- ◆ Compruebe que las fijaciones estén apretadas y que no presenten fugas.

▲ PELIGRO Manguera de aire suelta

Una manguera de aire comprimido floja puede asestar latigazos a las personas y ocasionarles lesiones o incluso la muerte.

- ▶ Compruebe que la manguera de aire comprimido y las conexiones no estén dañadas.
- ▶ Compruebe que todas las conexiones de aire comprimido estén debidamente conectadas.

Purga de la manguera de aire

- ◆ Purgue todos los días la manguera de aire para limpiar la suciedad y la humedad acumuladas antes de utilizar la perforadora.

Llenado de aceite del lubricador

- ◆ Compruebe que el mandril y el vástago de la barrena estén siempre cubiertos de una película de aceite.

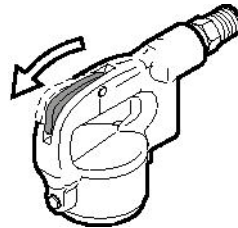
Puesta en marcha y parada

▲ ADVERTENCIA Encendido involuntario

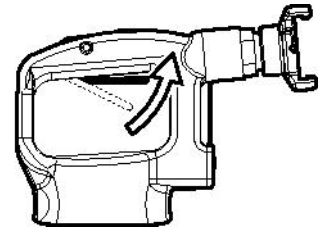
El encendido involuntario de la máquina puede producir lesiones.

- ▶ Mantenga las manos alejadas del dispositivo de puesta en marcha y parada hasta que esté listo para arrancar la máquina.
- ▶ Sepa cómo apagar la máquina en caso de producirse una emergencia.
- ▶ Detenga inmediatamente la máquina en caso de interrupción de la alimentación.

Puesta en marcha y parada

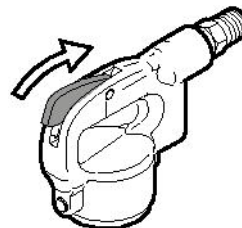


CP 0014

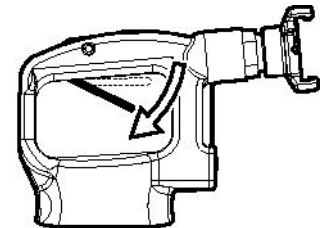


CP 0009

Arranque la máquina apretando el gatillo mientras sostiene firmemente la empuñadura.



CP 0014



CP 0009

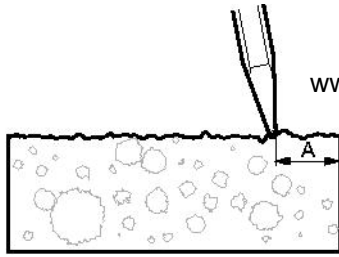
Pare la máquina soltando el gatillo. El gatillo regresa automáticamente a la posición de parada.

En funcionamiento

Inicio del corte

- ◆ Adquiera una posición estable, con los pies alejados de la herramienta insertada.
- ◆ Presione la máquina contra la superficie de trabajo antes de empezar.
- ◆ Empiece a poner aro a una distancia del borde que permita a la máquina romper el material sin hacer palanca.

- ◆ No intente nunca romper trozos muy grandes. Ajuste la distancia de rotura (A) de tal forma que no se atasque la herramienta insertada.



www.CrowderSupply.com • Toll Free: 888-883-5144

Rotura y perforación

- ◆ Utilice calzado, guantes y casco de protección, así como protectores para los oídos y protección ocular contra impactos con protección lateral.
- ◆ Evite trabajar con materiales extremadamente duros, por ejemplo granito y hierro de armar (varilla), que podrían producir vibraciones importantes.
- ◆ Compruebe regularmente que la máquina esté bien lubricada.
- ◆ Cuando se levanta la máquina, el gatillo no debe activarse.
- ◆ Debe evitarse el funcionamiento en vacío, sin la herramienta de inserción o con la máquina levantada.
- ◆ Manténgase de pie de manera firme y sujete siempre la máquina con ambas manos.
- ◆ Sujete la herramienta insertada firmemente contra la superficie de trabajo antes de arrancar la máquina.
- ◆ Deje que la máquina haga el trabajo y no haga demasiada fuerza.

En los descansos

- ◆ Durante todos los descansos debe colocar la máquina de forma que no haya riesgo de que se ponga en marcha involuntariamente.
- ◆ En caso de hacer un descanso más largo o a la hora de irse de la obra: Apague la alimentación y, a continuación, purgue la máquina activando el dispositivo de puesta en marcha y parada.

Mantenimiento

El mantenimiento regular es un requisito esencial para el uso seguro y eficaz de la máquina. Siga las instrucciones de mantenimiento detenidamente.

- ◆ Antes de iniciar el mantenimiento en la máquina, límpiela para evitar la exposición a sustancias peligrosas. Consulte "Peligros del polvo y del humo"
- ◆ Utilice sólo piezas originales. Cualquier daño o defecto originado por la utilización de piezas no autorizadas no estará cubierto por la garantía ni por la responsabilidad del producto.
- ◆ Al limpiar las piezas mecánicas con un disolvente, asegúrese de cumplir la normativa de salud y seguridad en el trabajo y de que haya la suficiente ventilación.
- ◆ Para realizar una reparación más completa de la máquina, acuda al taller autorizado más cercano.
- ◆ Después de cada reparación, compruebe que el nivel de vibraciones de la máquina sea el normal. Si no lo es, póngase en contacto con el taller autorizado más cercano.

A diario

Antes de realizar cualquier tarea de mantenimiento o cambiar la herramienta de inserción en las máquinas neumáticas, desactive siempre el suministro de aire y purgue la máquina pulsando el dispositivo de puesta en marcha y parada, y a continuación desconecte la manguera de aire de la máquina.

- ◆ Limpie e inspeccione la máquina y sus funciones cada día antes de empezar a trabajar.
- ◆ Realice una inspección general para determinar si hay fugas o desperfectos.
- ◆ Compruebe que la boquilla de admisión de aire esté apretada y que el acoplamiento de garras no esté dañado.
- ◆ Compruebe el funcionamiento del retenedor. Asegúrese de que bloquea la barrena.
- ◆ Cambie las piezas dañadas inmediatamente.
- ◆ Sustituya los componentes gastados con la debida antelación.
- ◆ Compruebe los pernos pasantes de la máquina. Asegúrese de que estén apretados.

- ◆ Si la máquina está equipada con silenciador, compruebe que no esté dañado.

Mantenimiento periódico

www.CrowderSupply.com • Toll Free: 888-883-5144

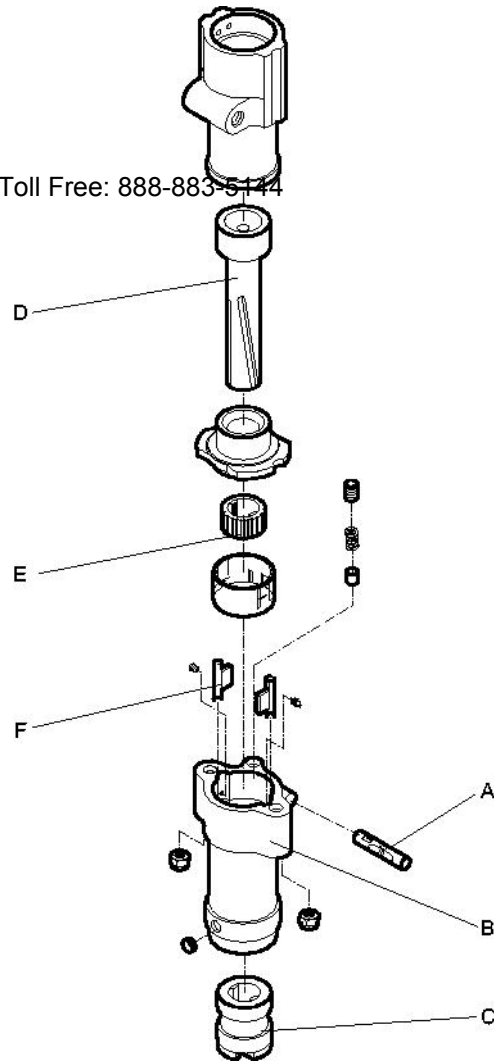
Después de un período operativo de unas 100 horas de trabajo o bien tres veces al año, se debe desmontar la máquina y limpiar y comprobar todas las piezas. Este trabajo debe realizarlo personal autorizado y cualificado para ello.

Pares de apriete

CP 0009	Tuerca del perno pasante	12-14 ft.lbf (16-19 Nm)
CP 0014	Tuerca del perno pasante	20-23 ft.lbf (27-31 Nm)

Montaje

Al montar la máquina, tenga en cuenta lo siguiente:



- ◆ Coloque el pistón de cambio de liberación de la rotación (A) en la parte delantera (B) antes de montar el manguito del mandril (C).
- ◆ Asegúrese de que la estría recta del pistón (D) se acopla con la estría recta del manguito del mandril (C), y de que la estría en espiral del pistón (D) se acopla con la estría en espiral del anillo de trinquete (e).
- ◆ Monte el anillo de trinquete (E) en la parte delantera (B), de forma que las caras planas de los dientes de trinquete se acoplen con el extremo de los trinquetes (F).
- ◆ Apriete los pernos pasantes uniformemente para impedir que se atasquen. Una vez apretados, gire el mandril manualmente para asegurarse de que se haya liberado la rotación.

Almacenaje

- > Antes del almacenamiento de la máquina, límpiela para evitar la existencia de sustancias peligrosas. Consulte “Peligros del polvo y del humo”
www.CrowderSupply.com • Toll Free: 888-883-5144
- > Vierta unos 1/2 oz (5 cl) de aceite directamente en de la boquilla de entrada de aire, conecte la máquina al suministro de aire comprimido y arránquela durante unos segundos.
- > Guarde siempre la máquina en un lugar seco.

Desechar

Una máquina usada se debe manipular y desechar de tal forma que se pueda reciclar la mayor cantidad posible del material, haya la menor influencia negativa posible en el medio ambiente y se cumplan las restricciones municipales.

Especificaciones técnicas

Datos de la máquina

www.CrowderSupply.com • Toll Free: 888-883-5144

Tipo	Dimensiones del vástago in. (mm)	Peso lb (kg)	Díametro interior del pistón in. (mm)	Longitud de la carrera in. (mm)	Longitud total in. (mm)	Consumo de aire (6 bares) cfm (l/s)	Frecuencia de impacto (6 bares) Hz (bpm)
CP 0009 A	Redondo ¾ x 3¼ (redondo 19 x 95)	8,82 (4,0)	1,25 (31,8)	1,38 (35)	14,76 (375)	19 (9)	57 (3420)
CP 0009 AC	Redondo ¾ x 3¼ (redondo 19 x 95)	8,82 (4,0)	1,25 (31,8)	1,38 (35)	14,76 (375)	19 (9)	57 (3420)
CP 0009 CS	Redondo ¾ x 3¼ (redondo 19 x 95)	10,14 (4,6)	1,25 (31,8)	1,38 (35)	14,76 (375)	19 (9)	57 (3420)
CP 0009 E	Redondo ¾ - hexagonal ⅝ x 3½ (redondo 19 - hexagonal 14,7 x 89)	8,82 (4,0)	1,25 (31,8)	1,38 (35)	14,76 (375)	19 (9)	57 (3420)
CP 0009 ES	Redondo ¾ - hexagonal ⅝ x 3½ (redondo 19 - hexagonal 14,7 x 89)	10,14 (4,6)	1,25 (31,8)	1,38 (35)	14,76 (375)	19 (9)	57 (3420)
CP 0009 F	estría	8,82 (4,0)	1,25 (31,8)	1,38 (35)	14,76 (375)	19 (9)	57 (3420)
CP 0014 RR	Hexagonal ⅞ x 3¼ (hexagonal 22 x 82,5)	14,77 (6,7)	1,87 (47,6)	1,38 (35)	18,50 (470)	47 (22)	42 (2520)
CP 0014 RRBS	Hexagonal ⅞ x 3¼ (hexagonal 22 x 82,5)	15,87 (7,2)	1,87 (47,6)	1,38 (35)	18,50 (470)	47 (22)	42 (2520)

Declaración de ruido y vibraciones

Nivel de potencia acústica garantizado **L_w** según ISO 3744, de conformidad con la directiva 2000/14/CE.

Nivel de presión acústica **L_p** según ISO 11203.

Valor de vibraciones **A** e incertidumbre **B** determinado según ISO 20643. Consulte en la tabla "Datos de ruido y vibraciones" los valores A, B, etc.

Estos valores declarados se obtuvieron mediante pruebas de laboratorio, de acuerdo con la directiva o las normas indicadas, y son adecuados para la comparación con los valores declarados de otras herramientas probadas de acuerdo con dicha directiva o dichas normas. Estos valores declarados no son adecuados para su uso en evaluaciones de riesgo, por lo que los valores medidos en los lugares de trabajo individuales pueden resultar superiores. Los valores de exposición reales y el riesgo de sufrir daños experimentados por cada usuario son únicos y dependen del modo en que éste trabaja, el material con el que utiliza la máquina, así como el tiempo de exposición y el estado físico del usuario y el estado de la máquina.

Nuestra empresa, Atlas Copco Construction Tools AB, no se hace responsable de las consecuencias de utilizar los valores declarados en lugar de valores que reflejen la exposición real, en una evaluación de riesgos individual en una situación del lugar de trabajo sobre la que no tenemos control.

Esta herramienta puede causar el síndrome de vibraciones mano-brazo si no se usa adecuadamente. En la dirección <http://www.humanvibration.com/EU/VIBGUIDE.htm> puede ver una guía de la UE sobre el control de las vibraciones mano-brazo

Recomendamos un programa de control de salud para detectar los primeros síntomas que puedan estar relacionados con la exposición a las vibraciones, de forma que puedan modificarse los procedimientos de gestión para prevenir las discapacidades futuras.

Datos de ruido y vibraciones

www.CrowderSupply.com • Toll Free: 888-883-5144

Modelo	Ruido		Vibración	
	Valores declarados		Valores declarados	
	Presión acústica	Potencia acústica	Valores de tres ejes	
	ISO 11203	2000/14/CE	ISO 20643	
	Lp r=1m dB(A) rel 20 µPa	Lw garantizado dB(A) rel 1 pW	A m/s ² valor	B m/s ² amplitud
CP 0009 A (para rotura)	-	-	20,2	2,5
CP 0009 A (para perforación)	-	-	21,2	2,6
CP 0009 AC (para rotura)	-	-	20,2	2,5
CP 0009 AC (para perforación)	-	-	21,2	2,6
CP 0009 CS (para rotura)	88	103	20,2	2,5
CP 0009 CS (para perforación)	88	103	21,2	2,6
CP 0009 E (para rotura)	-	-	20,2	2,5
CP 0009 E (para perforación)	-	-	21,2	2,6
CP 0009 ES (para rotura)	88	103	20,2	2,5
CP 0009 ES (para perforación)	88	103	21,2	2,6
CP 0009 F (para rotura)	-	-	20,2	2,5
CP 0009 F (para perforación)	-	-	21,2	2,6
CP 0014 RR (para rotura)	-	-	35,4	4,5
CP 0014 RR (para perforación)	-	-	45,3	5,2
CP 0014 RRBS (para rotura)	-	-	35,4	4,5
CP 0014 RRBS (para perforación)	-	-	45,3	5,2

Declaración CE de conformidad

Declaración CE de conformidad (Directiva 2006/42/CE)

Atlas Copco Construction Tools AB declara por la presente que las máquinas detalladas a continuación se ajustan a las disposiciones de las Directivas 2006/42/CE (Directiva sobre máquinas).

Martillos giratorios manuales dorados	Pmax (bares)
CP 0009 CS	6.2
CP 0009 ES	6.2

Representante autorizado para la documentación técnica:

Erik Sigfridsson
 Atlas Copco Construction Tools AB
 Dragonvägen 2
 Kalmar

Administrador general:

Erik Sigfridsson

Fabricante:

Atlas Copco Construction Tool AB
 105 23 Stockholm
 Sweden

Lugar y fecha:

Kalmar, 2010-04-01

PORTUGUÊS

Índice

Introdução	www.CrowderSupply.com • Toll Free: 888-883-5144.....	91
Acerca das instruções de segurança e operação		91
Instruções de segurança		92
Palavras de avisos de segurança.....		92
Precauções e habilitações pessoais.....		92
Instalação, precauções.....		92
Operação, precauções.....		93
Manutenção, precauções.....		98
Armazenamento, precauções.....		98
Visão geral		99
Concepção e função.....		99
Peças principais.....		99
Autocolantes.....		99
Instalação		100
Desembalar o perfurador.....		100
Mangueiras e ligações.....		100
Métodos para evitar o congelamento.....		101
Conectar o separador de água.....		101
Lubrificação.....		101
Ferramenta de inserção.....		101
Operação		105
Preparações antes de arrancar.....		105
Arranque e paragem.....		105
Funcionamento.....		105
Ao fazer uma pausa.....		106
Manutenção		106
Diariamente.....		106
Manutenção periódica.....		107
Binários de aperto.....		107
Montagem.....		107
Armazenamento		108
Abate		108
Dados técnicos		109
Dados da máquina.....		109
Declaração de ruído e vibração.....		109
Dados sobre o ruído e vibrações.....		110
Declaração de Conformidade da CE		111
Declaração de Conformidade da CE (Directiva da CE 2006/42/CE).....		111

Introdução

Obrigado por escolher os produtos da marca Chicago Pneumatic. Por mais de um século, a marca Chicago Pneumatic tem representado desempenho e inovação na indústria das ferramentas pneumáticas. • Toll Free: 888-883-5144

Hoje a marca encontra-se em todo o mundo com uma gama de ferramentas pneumáticas e hidráulicas que inclui martelos demolidores, perfuradores de rocha, escarificadores, escavadoras de argila, picadores e extractores, arrancadores de rebites, bombas e muito mais.

A marca Chicago Pneumatic está associada a produtos poderosos e confiáveis que são fáceis de manter e que justificam o investimento.

Para mais informações, visite www.cp.com

Atlas Copco Construction Tools AB
105 23 Stockholm
Sweden

Acerca das instruções de segurança e operação

O objectivo destas instruções é fornecer-lhe todas as informações acerca de como utilizar o perfurador de rocha de uma forma eficiente e segura. As instruções dão, também, conselhos e indicações sobre como efectuar manutenções regulares ao perfurador de rocha.

Antes de utilizar o perfurador de rocha pela primeira vez, tem obrigatoriamente que ler estas instruções cuidadosamente e compreendê-las na sua totalidade.

Instruções de segurança

Para reduzir o risco de ferimentos graves ou morte, para si próprio ou para outros, leia e compreenda as instruções de Segurança e operação antes de instalar, operar, reparar, fazer manutenção ou mudar acessórios na máquina.

Afixe estas instruções de Segurança e operação nos locais de trabalho, forneça cópias aos empregados, e certifique-se de que todos lêem as instruções de Segurança e operação antes de operar a máquina, ou de prestar assistência à máquina.

Para além disso, o operador ou o empregador do operador deve avaliar os riscos específicos que podem estar presentes em resultado de cada utilização da máquina.

Palavras de avisos de segurança

As palavras de avisos de segurança Perigo, Atenção e Cuidado têm os seguintes significados:

PERIGO	Indica uma situação perigosa, a qual, se não for evitada, irá provocar a morte ou ferimentos graves.
ATENÇÃO	Indica uma situação perigosa, a qual, se não for evitada, poderá provocar a morte ou ferimentos graves.
CUIDADO	Indica uma situação perigosa, a qual, se não for evitada, poderá provocar ferimentos ligeiros ou moderados.

Precauções e habilitações pessoais

A operação ou manutenção da máquina só pode ser feita por pessoal com as habilitações e a formação necessárias. Este pessoal tem que ser fisicamente capaz de manusear o volume, o peso e a potência da ferramenta. Faça sempre uso do seu bom senso e da sua capacidade de avaliação das situações.

Equipamento pessoal de protecção

Use sempre equipamento de protecção aprovado. Os operadores, bem como todas as outras pessoas que se encontrem na zona de trabalho, devem usar equipamento de protecção, incluindo, no mínimo:

- > Capacete protector
- > Protecção auricular
- > Protecção para os olhos, resistente ao impacto e com protecção lateral
- > Protecção respiratória, quando necessário
- > Luvas protectoras
- > Botas protectoras adequadas
- > Fato de macaco de trabalho adequado, ou vestuário semelhante (não roupas largas) que cubra os braços e as pernas.

Drogas, álcool ou medicamentos

▲ ATENÇÃO Drogas, álcool ou medicamentos

Drogas, álcool ou medicamentos podem reduzir a sua capacidade de avaliação e de concentração. Reacções lentas e avaliações incorrectas podem provocar acidentes graves ou morte.

- ▶ Nunca use a máquina quando estiver cansado ou se tiver tomado drogas, álcool ou medicamentos.
- ▶ Ninguém que tenha tomado drogas, álcool ou medicamentos pode operar a máquina.

Instalação, precauções

▲ PERIGO Chicotada das mangueiras de ar

Um mangueira de ar comprimido que se solte pode causar ferimentos pessoais ou morte. Para reduzir este risco:

- ▶ Certifique-se de que as mangueiras de ar comprimido e as ligações não estão danificadas, e substitua-as se necessário.
- ▶ Certifique-se de que as mangueiras de ar comprimido e as ligações estão bem presas.
- ▶ Nunca transporte uma máquina pneumática segurando-a pela mangueira de ar.
- ▶ Nunca tente tirar uma mangueira de ar comprimido que esteja pressurizada. Primeiro, deve desligar a alimentação de ar comprimido directamente no compressor e, em seguida, deve purgar a máquina, activando o dispositivo de activação e desactivação.

- ▶ Nunca aponte uma mangueira de ar comprimido a si próprio ou a outra pessoa. Para evitar o risco de ferimentos, nunca utilize ar comprimido para soprar, por exemplo, poeiras, sujidade, etc. das suas roupas.
- ▶ Não use ligações de desacoplamento na entrada da ferramenta. Use peças de encaixe roscadas para mangueira, em aço endurecido (ou num material com uma resistência ao choque equivalente).
- ▶ Sempre que forem usadas ligações de acoplamento universal de torcer (ligações de acoplamento de gancho), recomendamos que sejam instalados pinos de travamento e que sejam usados cabos de segurança anti-chicoteamento como salvaguarda contra possíveis falhas da mangueira à máquina, ou de mangueira a mangueira.

▲ ATENÇÃO Ferramenta de inserção ejetada

Se o retentor da ferramenta na máquina não estiver na posição de travamento, a ferramenta inserida poderá ser ejetada com força, podendo provocar ferimentos pessoais.

- ▶ Nunca dê arranque à máquina enquanto estiver a mudar a ferramenta de inserção.
- ▶ Antes de mudar a ferramenta de inserção ou os acessórios, pare a máquina, desligue a alimentação e purgue a máquina, activando o dispositivo de arranque/paragem.
- ▶ Nunca aponte a ferramenta inserida para si próprio, nem para outra pessoa.
- ▶ Antes de dar arranque à máquina, certifique-se de que a ferramenta de inserção está totalmente inserida, e que o retentor da ferramenta está na posição de travamento.
- ▶ Verifique a função de travamento, puxando para fora com força a ferramenta inserida.

▲ ATENÇÃO Deslocação / desencaixe da ferramenta de inserção

As dimensões incorrectas do encabadouro da ferramenta inserida podem provocar a perda da ferramenta inserida, ou fazer com que ela se desloque durante a operação da máquina. Há o risco de ferimentos graves, ou de esmagamento de mãos e dedos.

- ▶ Verifique se as dimensões e o comprimento do encabadouro da ferramenta de inserção são correctos para o que a máquina está preparada.
- ▶ Nunca use uma ferramenta de inserção sem uma gola.

Operação, precauções

▲ PERIGO Perigo de explosão

Se uma ferramenta de inserção quente entrar em contacto com explosivos, poderá ocorrer uma explosão. Durante a operação com certos materiais, bem como o uso de certos materiais em peças da máquina, podem ocorrer faíscas e ignição. As explosões podem provocar ferimentos graves ou morte.

- ▶ Nunca opere a máquina num ambiente explosivo.
- ▶ Nunca use a máquina ao pé de materiais inflamáveis, vapores inflamáveis ou poeiras inflamáveis.
- ▶ Certifique-se de que não existem fontes de gás ou explosivos ocultos.
- ▶ Nunca faça perfurações num buraco antigo.

▲ ATENÇÃO Movimentos inesperados

A ferramenta inserida está exposta a grandes esforços quando a máquina está em utilização. A ferramenta inserida pode partir-se devido a fadiga, depois de um certo tempo de uso. Se ferramenta inserida se partir ou se ficar agarrada, pode haver movimentos súbitos e inesperados, que podem provocar ferimentos. Para além disso, se perder o equilíbrio ou escorregar, isso poderá provocar ferimentos.

- ▶ Certifique-se de que mantém sempre uma posição estável, com os pés afastados à distância dos seus ombros, e mantendo o peso do seu corpo sempre em equilíbrio.
- ▶ Inspeccione sempre o equipamento antes de o usar. Nunca use o equipamento se suspeitar que este se encontra danificado.
- ▶ Certifique-se de que as pegas estão limpas e sem massa consistente nem óleo.

- ▶ Mantenha os seus pés afastados da ferramenta inserida.
- ▶ Mantenha-se firmemente de pé e segure sempre a máquina com as duas mãos.
- ▶ Nunca faça perfurações num buraco antigo.
- ▶ Nunca arranque a máquina quando ela está deitada no chão.
- ▶ Nunca “ande a cavalo” na máquina com uma perna por cima da pega.
- ▶ Nunca bata na máquina nem lhe faça maus-tratos.
- ▶ Verifique regularmente se não há desgaste na ferramenta de inserção, e procure sinais de danos ou rachas visíveis.
- ▶ Preste atenção e olhe para aquilo que está a fazer.

▲ ATENÇÃO Perigo de perda de velocidade

Se a ferramenta de inserção ficar presa durante o funcionamento, todo o equipamento começará a girar se o utilizador perder o controlo. Esta rotação inesperada da máquina como um todo pode causar ferimentos graves ou morte.

- ▶ Fique de pé firmemente e segure sempre a máquina com as duas mãos.
- ▶ Certifique-se de que as pegadas se encontram limpas e livres de massa consistente e óleo.
- ▶ Nunca faça perfurações num buraco antigo.

▲ ATENÇÃO Perigo de ficar preso

Se pegar ou tocar numa broca ou acessórios em rotação, corre o risco de ser puxado ou ficar preso pelo pescoço (se usar fio), pelo cabelo, pelas luvas e pela roupa. Isso pode causar asfixia, escarpelamento, lacerações ou morte. Para reduzir o risco:

- ▶ Nunca pegar ou tocar numa broca em rotação.
- ▶ Evitar vestir roupas, fios ou luvas que possam prender.
- ▶ Cobrir cabelo longos com uma rede de cabelo.

▲ ATENÇÃO Perigos de poeiras e fumos

Poeiras e/ou fumos gerados ou dispersados quando a máquina é utilizada podem causar doenças respiratórias graves e permanentes, doenças ou outras lesões corporais (por exemplo, silicose ou outras doenças respiratórias graves e permanentes dos pulmões que possam ser fatais, cancro, defeitos congénitos, e/ou inflamação da pele).

Algumas poeiras e fumos criados por perfuração, demolição, martelamento, serração, rectificação e outras actividades de construção contêm substâncias conhecidas pelo Estado da Califórnia e outras autoridades como sendo causadoras de doença respiratória, cancro, defeitos congénitos, ou outros danos de reprodução. Alguns exemplos dessas substâncias são:

- > A sílica cristalina, o cimento, e outros produtos de alvenaria.
- > Arsénico e crómio da borracha quimicamente tratada.
- > Chumbo de tintas com base de chumbo.

As poeiras e os fumos no ar podem ser invisíveis a olho nu, portanto não se fie na visão para determinar se há fumos ou poeiras no ar.

Para reduzir o risco de exposição às poeiras e aos fumos, tome todas as acções seguintes:

- ▶ Faça uma avaliação de riscos específica para o local de trabalho. A avaliação de riscos deverá incluir poeiras e fumos criados pela utilização da máquina, bem como o potencial para levantar poeiras já existentes.
- ▶ Use controlos de engenharia adequados, para reduzir ao mínimo as poeiras e os fumos no ar, e para minimizar a acumulação em equipamentos, superfícies, vestuário e partes do corpo. Exemplos de tais controlos incluem: sistemas de ventilação de saída e de recolha de poeira, pulverizações de água, e perfuração acompanhada de injeção de água. Controle poeiras e fumos na origem, sempre que possível. Certifique-se de que tais controlos estão correctamente instalados, em bom estado de manutenção, e que são correctamente usados.
- ▶ Ponha, faça a manutenção e use correctamente a protecção respiratória, conforme as instruções do seu empregador e conforme exigido pelos regulamentos de Saúde e Segurança. A protecção respiratória tem obrigatoriamente que ser eficaz para o tipo de substância em questão (e, se aplicável, que ser aprovada pela entidade governamental adequada).
- ▶ Trabalhe numa área bem ventilada.

- ▶ Se a máquina tiver um escape, dirija o escape por forma a reduzir a perturbação de poeiras num ambiente cheio de poeiras.
- ▶ Opere e faça a manutenção da máquina conforme recomendado nestas instruções de operação e segurança.
- ▶ Selecione, faça a manutenção e substitua consumíveis, ferramentas de inserção e outros acessórios conforme recomendado nas instruções de Operação e Segurança. A selecção incorrecta ou a falta de manutenção de consumíveis, ferramentas de inserção e outros acessórios pode causar um aumento desnecessário das poeiras ou dos fumos.
- ▶ Utilize vestuário lavável ou descartável no seu local de trabalho, e tome um duche e vista roupas lavadas antes de deixar o local de trabalho para reduzir a sua exposição a poeiras e fumos, assim como a de outras pessoas, carros, casas, e outras áreas.
- ▶ Evite comer, beber e usar produtos de tabaco em áreas onde haja poeiras ou fumos.
- ▶ Lave bem as suas mãos e a sua cara assim que possível depois de sair da área de exposição, e sempre antes de comer, beber, usar produtos de tabaco, ou entrar em contacto com outras pessoas.
- ▶ Cumpra todas as leis e regulamentos aplicáveis, incluindo regulamentos de Saúde e Segurança no Trabalho.
- ▶ Participe na monitorização do ar, em programas de exames médicos, e em programas de formação em segurança oferecidos pelo seu empregador ou por organizações laborais, e de acordo com os regulamentos e recomendações de Saúde e Segurança no trabalho. Seja consultado por médicos com experiência em medicina do trabalho do tipo relevante.
- ▶ Colabore com o seu empregador e com organizações laborais para reduzir a exposição a poeiras e fumos no local de trabalho e para reduzir os riscos. Com base no conselho de peritos de Saúde e Segurança, deverão ser definidos e implementados programas, políticas e procedimentos eficazes de Saúde e Segurança para a protecção dos trabalhadores e de terceiros contra a exposição prejudicial a poeiras e fumos. Aconselhe-se com peritos.

▲ ATENÇÃO Projécteis

Uma falha da peça de trabalho, dos acessórios, ou até mesmo da própria máquina, pode gerar projécteis de alta velocidade. Durante a operação da máquina, as lascas ou quaisquer outras partículas do material de trabalho podem tornar-se projécteis e provocar ferimentos pessoais, atingindo o operador ou quaisquer outras pessoas. Para reduzir estes riscos:

- ▶ Use equipamento pessoal de protecção e capacete de segurança, incluindo protecção para os olhos que seja resistente ao impacto e que tenha protecção lateral.
- ▶ Certifique-se de que não há pessoas não autorizadas na zona de trabalho.
- ▶ Mantenha o local de trabalho livre de objectos estranhos.
- ▶ Certifique-se de que a peça de trabalho está fixada de forma segura.

▲ ATENÇÃO Risco de estilhaços

Se a ferramenta de inserção for usada como uma ferramenta de impacto manual, daí podem resultar estilhaços que atinjam o operador, podendo causar ferimentos pessoais.

- ▶ Nunca use uma ferramenta de inserção como uma ferramenta de impacto manual. São especialmente concebidas e tratadas a quente, e só podem ser usadas numa máquina.

▲ ATENÇÃO Riscos de escorregar, tropeçar e cair

Há o risco de escorregar ou tropeçar ou cair, por exemplo tropeçar nas mangueira ou noutros objectos. Escorregar ou tropeçar ou cair pode causar ferimentos. Para reduzir este risco:

- ▶ Certifique-se sempre de que não há nenhuma mangueira ou outros objectos no seu caminho ou no caminho de outra pessoa.
- ▶ Certifique-se sempre de que mantém uma posição estável, com os pés afastados à distância dos seus ombros, e mantendo o peso do corpo equilibrado.

▲ ATENÇÃO Riscos de movimento

Quando usar a máquina para executar actividades relacionadas com o trabalho, pode sentir desconforto nas mãos, braços, ombros, pescoço, ou outras partes do corpo.

- ▶ Adote uma postura confortável durante todo o tempo que mantém os pés bem apoiados e que evita posturas incómodas e em desequilíbrio.
- ▶ Mudar a postura durante a execução de tarefas prolongadas pode ajudar a evitar desconforto e fadiga.
- ▶ Em caso de sintomas persistentes ou recorrentes, consulte um profissional de saúde qualificado.

▲ ATENÇÃO Perigo de vibração

A utilização normal e correcta da máquina expõe o operador a vibrações. A exposição regular e frequente à vibração pode provocar, contribuir para ou agravar lesões ou doenças nos dedos, mãos, punhos, braços e/ou nervos e alimentação sanguínea ou outras partes do corpo do operador, incluindo lesões ou doenças debilitantes e/ou permanentes que se podem desenvolver gradualmente ao longo de um período de semanas, meses ou anos. Tais lesões ou distúrbios podem incluir danos nos sistemas circulatório e nervoso, lesões nas articulações, e possíveis danos noutras estruturas corporais.

Se sentir entorpecimento, desconforto recorrente persistente, sensação de queimadura, enrijecimento, latejar, formigueiros, dores, descoordenação, falta de força nas mãos, embranquecimento da pele, ou outros sintomas a qualquer altura quando utilizar a máquina, ou quando não a estiver a utilizar, não deve retomar a utilização da mesma e deve consultar um médico. A utilização continuada da máquina após a ocorrência de tais sintomas pode aumentar o risco do agravamento e/ou permanência dos mesmos.

Opere e faça a manutenção da máquina conforme recomendado nestas instruções, para evitar o aumento desnecessário das vibrações.

Os seguintes passos podem ajudar a reduzir a exposição do operador às vibrações:

- ▶ Deixe a ferramenta fazer o trabalho. Faça o mínimo de força de aperto com as mãos: apenas o suficiente para garantir um bom controlo e a operação em segurança.
- ▶ Se a máquina tiver pegas absorvedoras de vibrações, mantenha-as numa posição central, evite pressionar as pegas nos batentes de extremo.
- ▶ Quando o mecanismo de percussão está activado, a única parte do seu corpo que deve estar em contacto com a máquina são as suas mãos sobre a pega ou as pegas. Evite qualquer outro contacto, como por exemplo, apoiar qualquer parte do corpo contra a máquina, ou inclinar-se sobre a máquina para tentar aumentar a força de avanço. É também importante que não tenha o dispositivo de arranque e paragem activado enquanto tirar a ferramenta da superfície de trabalho partida.

- ▶ Certifique-se de que a ferramenta inserida está em bom estado de manutenção (incluindo se está afiada, se for uma ferramenta de corte), não está desgastada, e é do tamanho correcto. Quando as ferramentas de inserção não estão em bom estado de manutenção, ou estão desgastadas, ou não possuem o tamanho correcto, então irá precisar de mais tempo para completar a tarefa (e um maior período de exposição a vibrações), o que pode originar ou contribuir para níveis mais elevados de exposição a vibrações.
- ▶ Pare imediatamente de trabalhar se a máquina começar de repente a vibrar fortemente. Antes de voltar ao trabalho, certifique-se de que encontrou e corrigiu a causa do aumento de vibrações.
- ▶ Nunca agarre, pegue, nem toque na ferramenta inserida enquanto a máquina estiver a trabalhar.
- ▶ Participe na vigilância ou monitorização do estado de saúde, em exames médicos e em programas de formação oferecidos pelo seu empregador, e quando exigido por lei.
- ▶ Quando trabalhar em condições de tempo frio, vista roupas quentes e mantenha as mãos quentes e secas.

Veja a “Declaração de ruído e vibração” da máquina, incluindo os valores de vibração declarados. Estas informações estão no final destas instruções de Segurança e Operação.

- ◆ Siga as recomendações em termos de pressão de ar ao operar o equipamento. Tanto uma pressão de ar excessiva como insuficiente têm o potencial de resultar em elevados níveis de vibração.

▲ PERIGO Perigo eléctrico

A máquina não tem isolamento eléctrico. Se a máquina entrar em contacto com fontes de electricidade, isso pode provocar ferimentos graves ou morte.

- ▶ Nunca opere a máquina ao pé de qualquer cabo eléctrico, ou de outra fonte de electricidade.
- ▶ Certifique-se de que não existem cabos ocultos, ou quaisquer outras fontes de electricidade, na área de trabalho.

▲ ATENÇÃO Perigo de objectos ocultos

Durante a operação, os cabos e tubos ocultos constituem um perigo que pode provocar ferimentos graves.

- ▶ Verifique a composição do material, antes de começar a usar a máquina.
- ▶ Tenha cuidado com cabos e tubos ocultos, por exemplo, de electricidade, telefone, água, gás, esgotos, etc.
- ▶ Se lhe parecer que a ferramenta inserida atingiu um objecto oculto, desligue a máquina imediatamente.
- ▶ Antes de voltar ao trabalho, certifique-se de que não há qualquer perigo.

▲ ATENÇÃO Arranque involuntário

O arranque involuntário da máquina pode provocar ferimentos.

- ▶ Mantenha as mãos longe do dispositivo de arranque e paragem até estar pronto para dar arranque à máquina.
- ▶ Aprenda a como desligar a máquina em caso de emergência.
- ▶ Solte imediatamente o dispositivo de arranque/paragem em todos os casos de interrupção de alimentação.
- ▶ Sempre que montar ou desmontar a ferramenta de inserção, desligue a alimentação de ar comprimido, purgue a máquina activando o dispositivo de arranque/paragem, e remova a alimentação da máquina.

▲ ATENÇÃO Perigo de ruído

Níveis de ruído altos podem causar perda de audição permanente ou deficiência na audição, bem como outros problemas tais como tinnitus (campainhas, zumbidos, apitos ou barulhos surdos nos ouvidos). Para reduzir o risco e prevenir um aumento desnecessário nos níveis de ruído:

- ▶ É essencial a avaliação de risco destes perigos e a implementação de controlos adequados.
- ▶ Opere e faça a manutenção da ferramenta conforme recomendado nestas instruções.
- ▶ Selecione, faça a manutenção e substitua a ferramenta de inserção conforme recomendado nestas instruções.
- ▶ Se a máquina tiver um silenciador, certifique-se de que está aplicado e que está em boas condições de funcionamento.
- ▶ Use sempre protecção para os ouvidos.

- ▶ Use material de amortecimento para evitar que as peças de trabalho “toquem” como uma campainha.

Manutenção, precauções

▲ ATENÇÃO Modificação da máquina

As modificações feitas à máquina poderão resultar em danos físicos para si ou terceiros.

- ▶ Nunca faça modificações à máquina. Máquinas modificadas não estão cobertas pela garantia nem pela responsabilidade do produto.
- ▶ Use sempre peças, ferramentas de inserção e acessórios originais.
- ▶ Mude imediatamente quaisquer peças danificadas.
- ▶ Substitua os componentes desgastados atempadamente.

▲ CUIDADO Ferramenta de inserção quente

A ponta da ferramenta de inserção pode ficar quente e afiada quando está a ser usada. Se lhe tocar, pode sofrer queimaduras e cortes.

- ▶ Nunca toque numa ferramenta de inserção quente ou afiada.
- ▶ Espere até que a ferramenta de inserção tenha arrefecido, antes de fazer tarefas de manutenção.

▲ ATENÇÃO Riscos da ferramenta de inserção

Se a alimentação estiver ligada à máquina, a activação acidental do dispositivo de arranque/paragem durante a manutenção ou instalação pode causar ferimentos graves.

- ▶ Nunca inspeccione, limpe, instale ou desmonte a ferramenta de inserção quando a alimentação estiver ligada à máquina.

Armazenamento, precauções

- ◆ Guarde a máquina e as ferramentas num local seguro, fora do alcance de crianças e trancado.

Visão geral

Para reduzir o risco de ferimentos graves ou morte para si ou para terceiros, antes de usar a máquina leia a secção das Instruções de Segurança, que está nas páginas anteriores deste manual.

Concepção e função

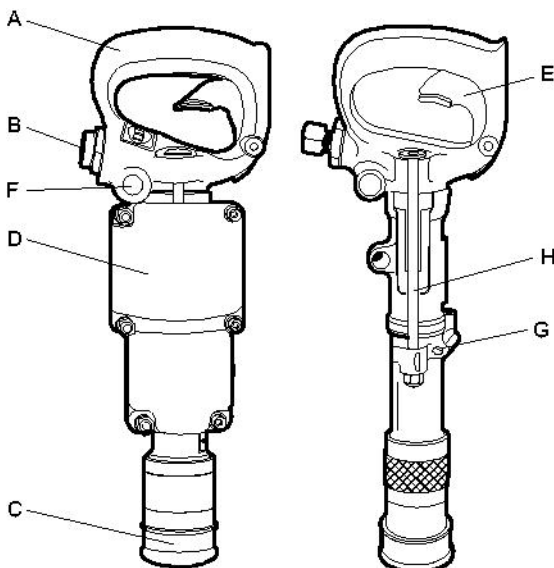
O CP 0009 e o CP 0014 são máquinas combinadas de perfuração e demolição, concebidas para utilização horizontal e vertical.

O CP 0009 está equipado com um retentor de mudança rápida e tem rotação para a direita. A máquina pode ser adaptada para perfuração ou demolição, ao mudar a ferramenta de inserção, ou ao activar a libertação da rotação, consoante o modelo. Exemplos dos tipos de utilização são perfuração, cinzelagem ou abertura de roços em betão ou tijolo. Não é permitido outro tipo de uso.

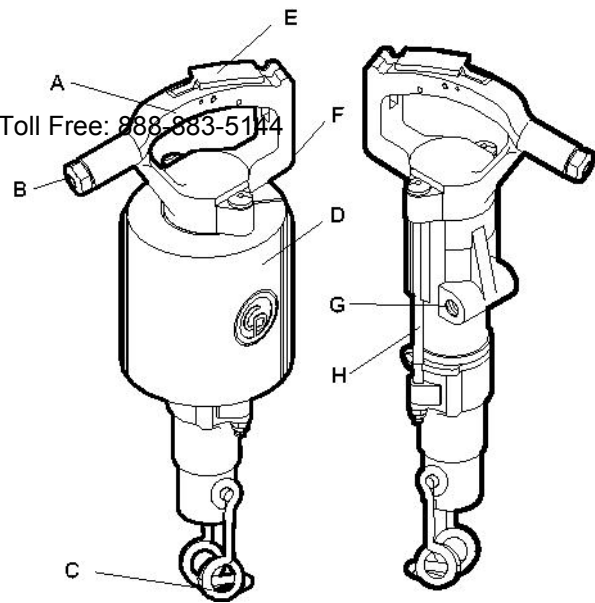
O CP 0014 está equipado com um retentor de mola e tem rotação para a direita. A máquina pode ser adaptada para perfuração ou demolição, ao activar a libertação de rotação. Exemplos dos tipos de utilização são perfuração em granito, betão, calcário ou tijolo, ou outros materiais semelhantes. Como demolidor, pode ser usado para cinzelar ou abrir roços em betão ou tijolo. Não é permitido outro tipo de uso.

Para escolher a ferramenta correcta consulte a lista de peças sobressalentes.

Peças principais



CP 0009



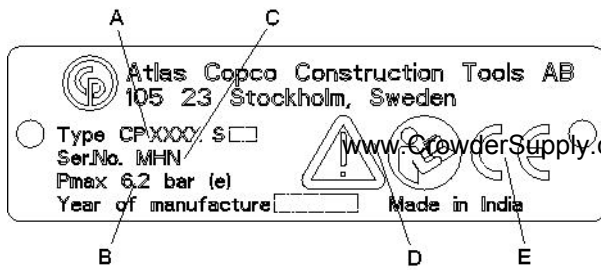
CP 0014

- A. Pega
- B. Bocal de entrada de ar
- C. Retentor da ferramenta
- D. Silenciador
- E. Gatilho
- F. Lubrificador
- G. Libertação da rotação
- H. Parafuso estrutural

Autocolantes

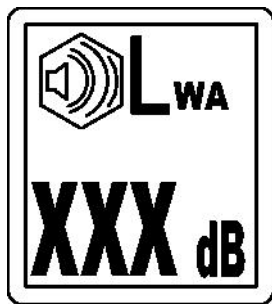
A máquina está equipada com autocolantes que mostram informação importante sobre a segurança pessoal do operador e a manutenção da máquina. Os autocolantes devem estar em boas condições que permitam a sua leitura com facilidade. Novos autocolantes podem ser encomendados a partir da lista de peças sobressalentes.

Placa de dados



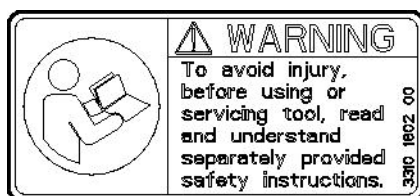
- A. Tipo de máquina
- B. Pressão máxima permitida de ar comprimido
- C. Número de série
- D. O símbolo de atenção, juntamente com o símbolo de livro, significa que o utilizador tem que ler as instruções de segurança e operação antes de poder utilizar o equipamento pela primeira vez.
- E. O símbolo CE significa que a máquina está aprovada pela CE. Consulte a Declaração CE que é fornecida com o equipamento para obter mais informações. Se o símbolo CE não estiver presente, isso significa que a máquina não está aprovada pela CE.

Autocolante de nível de ruído



O autocolante indica o nível de ruído garantido que corresponde à Directiva-CE 2000/14/CE. Veja os "Dados técnicos" para saber o nível de ruído exacto.

Autocolante de segurança



Para evitar ferimentos, antes de operar ou fazer manutenção na ferramenta, leia e compreenda as instruções de segurança, fornecidas em separado.

Instalação

Desembalar o perfurador

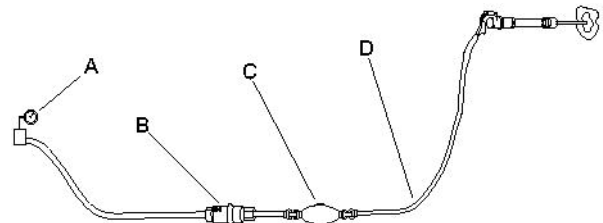
Protecções de plástico

Antes de o perfurador poder ser utilizado pela primeira vez, tire todas as protecções de plástico dos bocais das mangueiras.

Lubrificar

Depois de desembalar e instalar a ferramenta, despeje uma quantidade abundante de óleo de lubrificação na ligação de ar.

Mangueiras e ligações



- A. Fonte de ar comprimido
 - B. Separador de água (opcional)
 - C. Lubrificador (opcional)
 - D. Máx. de 10 feet (3 metros) de mangueira de ar comprimido entre o lubrificador e o equipamento.
- ◆ Certifique-se de que está a utilizar a pressão de operação correcta e recomendada, 87 psig (6 bar (e)).
 - ◆ A máxima pressão de ar permitida, 90 psig (6,2 bar (e)), não pode nunca ser excedida.
 - ◆ Sobre quaisquer impurezas da mangueira de ar comprimido antes de a ligar ao equipamento.

- ◆ Selecione a dimensão e o comprimento correctos para a mangueira de ar comprimido. Para comprimentos até 100 feet (30 metros), deverá ser utilizada uma mangueira com um diâmetro interno mínimo de $\frac{3}{4}$ " (19 mm). Caso o comprimento da mangueira seja entre 100 e 330 feet (30 e 100 metros), deverá ser utilizada uma mangueira com um diâmetro interno mínimo de 1" (25 mm).

Métodos para evitar o congelamento

Pode ocorrer a formação de gelo no silenciador quando a temperatura ambiente for de 32-50 °F (0-10°C) e a humidade relativa for elevada.

A máquina está concebida para evitar a formação de gelo no silenciador. Apesar desta situação, e sob condições extremas, poderá haver a formação de gelo no silenciador.

Para contrariar ainda mais o risco de formação de gelo, use um separador de água.

Conectar o separador de água

O comprimento da mangueira de ar entre o compressor e o separador de água tem de permitir que o vapor de água arrefeça e condense na mangueira antes de atingir o separador de água.

Se a temperatura ambiente for abaixo dos 32°F (0°C), a mangueira tem de ser suficientemente curta para prevenir que a água congele antes de atingir o separador de água.

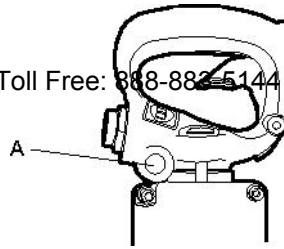
Lubrificação

O lubrificante é importante para o funcionamento da máquina e tem um grande impacto na vida útil do equipamento.

Sinais indicativos de lubrificação correcta são a presença de "vapor" de óleo no ar de escape e a presença de ligeiros vestígios de óleo no encabadouro da broca ou do prato de adaptação. Demasiado lubrificante pode causar problemas de arranque, baixa potência ou desempenho irregular.

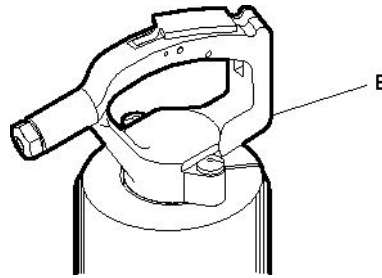
Para fornecer o volume correcto de óleo, o lubrificador embutido deve ser verificado e atestado com regularidade. Para além disso, é recomendada a utilização de um lubrificador da linha de ar, para garantir um fornecimento adequado de lubrificante.

Lubrificante recomendado: Óleo para perfurador de rocha, com uma viscosidade de 100-150 SUS a 100 °F (ISO VG 22-32).



CP 0009

Diariamente, antes de utilizar a máquina e depois de cada 4 horas de serviço, tire o bujão (A), embeba o feltro e ateste o receptor de óleo com o óleo recomendado.



CP 0014

Diariamente, antes de utilizar a máquina e depois de cada 4 horas de serviço, tire o bujão (B) e ateste o receptor de óleo com o óleo recomendado.

Ferramenta de inserção

▲ CUIDADO Ferramenta de inserção quente

A ponta da ferramenta de inserção pode ficar quente e afiada quando está a ser usada. Se lhe tocar, pode sofrer queimaduras e cortes.

- ▶ Nunca toque numa ferramenta de inserção quente ou afiada.
- ▶ Espere até que a ferramenta de inserção tenha arrefecido, antes de fazer tarefas de manutenção.

Escolher a ferramenta de inserção correcta

Escolher a ferramenta de inserção correcta é um pré-requisito para o funcionamento adequado da máquina. É importante escolher ferramentas de inserção de alta qualidade, para evitar danos desnecessários à máquina.

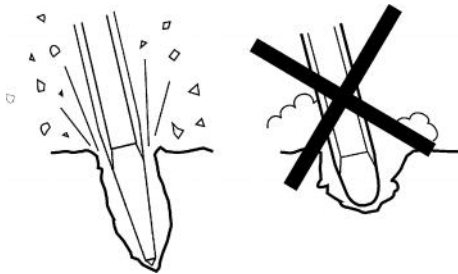
A máquina pode ser destruída se usar uma ferramenta de inserção incorrecta.

As ferramentas de inserção recomendadas estão listadas na lista de peças sobressalentes da máquina.

▲ ATENÇÃO Perigo de vibração

Se usar ferramentas inseridas que não cumpram os critérios mencionados abaixo, irá precisar de mais tempo para completar o trabalho, e poderá provocar níveis mais elevados de exposição a vibrações. Uma ferramenta desgastada irá também aumentar o tempo de trabalho.

- ▶ Certifique-se de que a ferramenta inserida está em bom estado de manutenção, não está desgastada, e é do tamanho adequado.
- ▶ Use sempre uma ferramenta afiada, para trabalhar de forma eficiente.



AVISO Nunca use água para arrefecer uma ferramenta de inserção quente, porque isso pode tornar a ferramenta quebradiça e levá-la a falhar antes do tempo.

▲ ATENÇÃO Ferramenta de inserção ejectada

Se o retentor da ferramenta na máquina não estiver na posição de travamento, a ferramenta inserida poderá ser ejectada com força, podendo provocar ferimentos pessoais.

- ▶ Antes de mudar a ferramenta de inserção, pare a máquina, desligue o fornecimento de ar comprimido e purgue o equipamento activando o dispositivo de arranque/paragem.

Antes de colocar a broca de aço

Verifique se o encabadouro da ferramenta tem a dimensão e o comprimento correctos para o casquilho a ser utilizado. O encabadouro tem que estar limpo e a ferramenta tem que estar em boas condições. Os encabadouros que estiverem lascados, arredondados, desenquadrados e demasiado rígidos na extremidade de impacto irão funcionar de forma ineficiente e causar falhas prematuras do êmbolo.

Inspeccione a broca de aço:

Uma broca de aço lenta irá abrandar a velocidade de perfuração e esforçar demasiado o mecanismo de perfuração. Quando mudar a broca de aço certifique-se de que a nova tem a dimensão correcta para continuar a sua perfuração anterior.

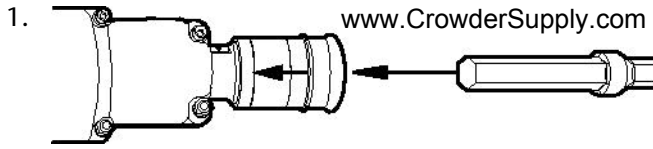
Antes de começar a perfuração, verifique se o orifício de limpeza por injeção de ar/água da broca de aço não está bloqueado.

Se houver rebarbas à volta das 4 ranhuras das esferas no encabadouro da broca de aço, dê-lhes polimento até ficarem suaves. Isso irá fazer com que a broca de aço entre e saia mais facilmente, e irá também aumentar a eficiência da operação do casquilho.

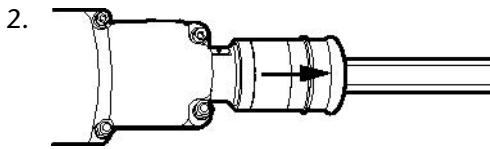
Montar a ferramenta de inserção

Sempre que montar a ferramenta de inserção, tem obrigatoriamente que seguir as seguintes instruções:

CP 0009

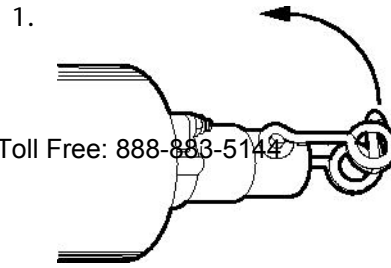


Puxe para trás o retentor da ferramenta (na direcção da seta) e mantenha-o puxado, enquanto ao mesmo tempo introduz a ferramenta de inserção no casquilho.

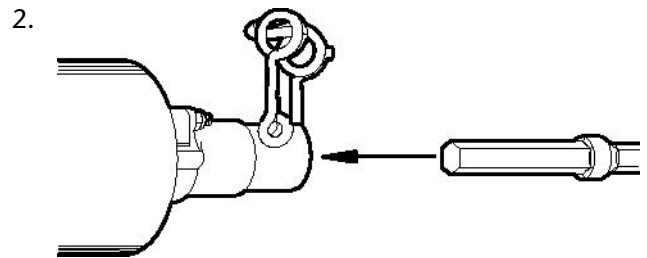


Quando a ferramenta de inserção bater no fundo, liberte o retentor da ferramenta, de modo a trancá-lo. Verifique a função de bloqueio, puxando a ferramenta de trabalho para fora com força.

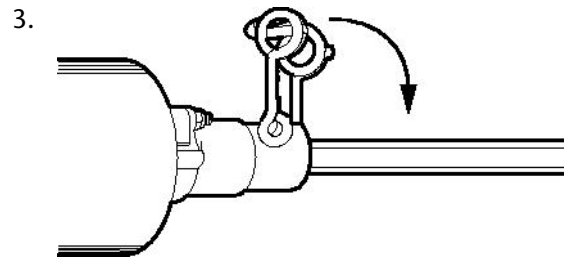
CP 0014



Empurre para cima o retentor da ferramenta, na direcção da seta.



Insira a ferramenta de inserção no casquilho.

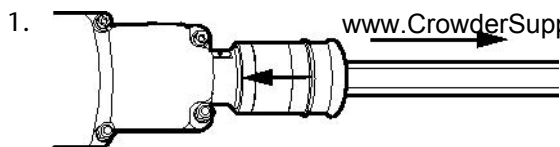


Quando a broca bater no fundo, empurre o retentor para trás, de modo a trancá-lo.

Retirar a ferramenta de inserção

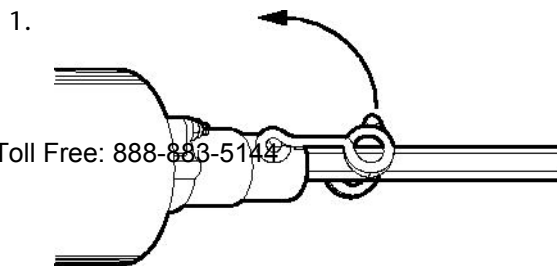
Sempre que retirar a ferramenta de inserção, tem obrigatoriamente que seguir as seguintes instruções:

CP 0009

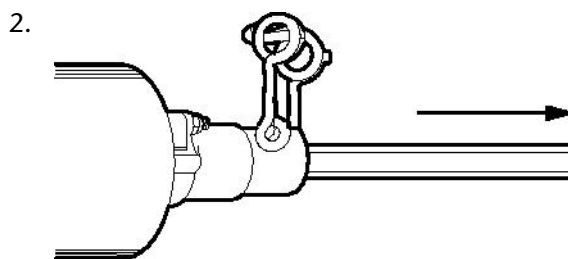


Puxe para trás o retentor da ferramenta (na direcção da seta) e mantenha-o puxado, enquanto ao mesmo tempo retira a ferramenta de inserção no casquilho, puxando-a para fora.

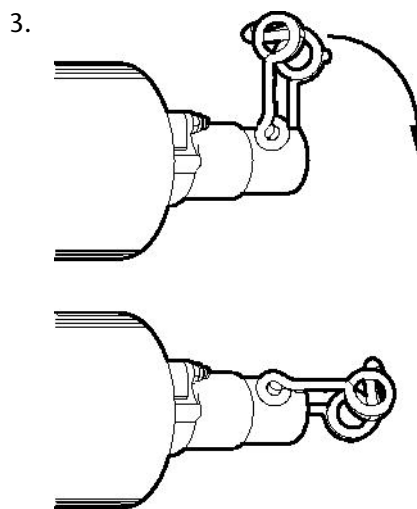
CP 0014



Empurre para cima o retentor da ferramenta, na direcção da seta.



Puxe para fora a ferramenta de inserção.



Empurre para trás o retentor da ferramenta.

Operação

Preparações antes de arrancar

www.CrowderSupply.com • Toll Free: 888-883-5144

Verifique o equipamento de perfuração

- ◆ Verifique se todo o equipamento de perfuração está em boas condições de funcionamento.
- ◆ Verifique se a superfície de impacto do encabadouro da broca de aço está lisa, sem sinais de desgaste.
- ◆ Certifique-se de que a entrada de ar e as portas de escape estão livres de obstruções.
- ◆ Certifique-se de que os orifícios de limpeza por injeção de ar/água da broca de aço e do trépano não estão obstruídos, e que o ar/água de limpeza correm sem impedimentos
- ◆ Certifique-se de que os acessórios estão bem fixados e à prova de fugas.

▲ PERIGO Chicotada das mangueiras de ar

Um mangueira de ar comprimido que se solte pode causar ferimentos pessoais ou morte

- ▶ Certifique-se de que as mangueiras de ar comprimido e as ligações não estão danificadas.
- ▶ Certifique-se de que as mangueiras de ar comprimido e as ligações estão bem presas.

Faça uma descarga de ar pela mangueira de ar

- ◆ Diariamente, antes de utilizar o martelo perfurador, faça uma descarga de ar pela mangueira de ar, para a limpar de qualquer sujidade e humidade acumuladas.

Encha o lubrificador com óleo

- ◆ Certifique-se de que o casquilho e o encabadouro da broca de aço estão sempre cobertos por uma película de óleo.

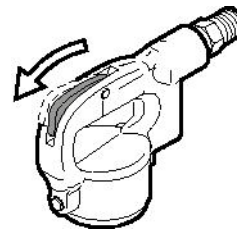
Arranque e paragem

▲ ATENÇÃO Arranque involuntário

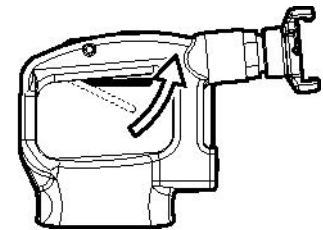
O arranque involuntário da máquina pode provocar ferimentos.

- ▶ Mantenha as mãos longe do dispositivo de arranque e paragem até estar pronto para dar arranque à máquina.
- ▶ Aprenda a como desligar a máquina em caso de emergência.
- ▶ Pare a máquina imediatamente em todos os casos de interrupção de alimentação.

Arranque e paragem

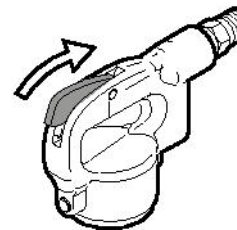


CP 0014

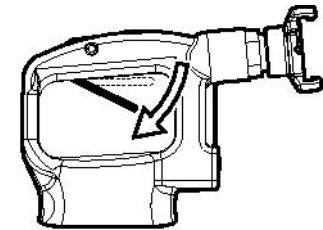


CP 0009

Ligue a máquina, pressionando o gatilho enquanto segura firmemente a pega.



CP 0014



CP 0009

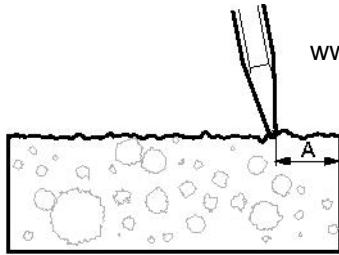
Pare a máquina, soltando o gatilho. O gatilho retorna automaticamente à posição de paragem.

Funcionamento

Iniciar um corte

- ◆ Mantenha-se em pé, numa posição estável, e com os pés bem longe da ferramenta inserida.
- ◆ Antes de começar, empurre a máquina contra a superfície de trabalho.
- ◆ Comece a martelar a uma determinada distância do rebordo, de maneira a que a máquina seja capaz de demolir o material sem efeito de alavanca.

- ◆ Nunca tente fazer a demolição de peças demasiado grandes. Ajuste a distância de demolição (A) de modo a que a ferramenta de trabalho não fique presa.



www.CrowderSupply.com • Toll Free: 888-883-5144

Demolição e perfuração

- ◆ Utilize sapatos, luvas e capacete de protecção, protectores de ouvidos e protecção para os olhos resistente ao impacto, com protecção lateral.
- ◆ Evite trabalhar com materiais extremamente duros, como por exemplo granito ou ferro para betão armado, que podem causar vibrações muito fortes.
- ◆ Certifique-se regularmente de que a máquina está bem lubrificada.
- ◆ Quando a máquina está desencostada da superfície de trabalho, o gatilho não pode de maneira nenhuma ser activado.
- ◆ Tem obrigatoriamente que ser evitado qualquer funcionamento em marcha lenta, sem a ferramenta de inserção, ou com a máquina desencostada.
- ◆ Fique de pé firmemente e segure sempre a máquina com as duas mãos.
- ◆ Empurre a ferramenta inserida com firmeza contra a superfície de trabalho antes de pôr a máquina a trabalhar.
- ◆ Deixe a máquina fazer o seu trabalho; não empurre com demasiada força.

Ao fazer uma pausa

- ◆ Durante todas as pausas, terá de pôr a máquina numa posição em que não haja risco de arranque acidental.
- ◆ Na eventualidade de um intervalo de maior duração ou quando sair do local de trabalho: desligue a alimentação e, em seguida, purgue a máquina, activando o dispositivo de arranque/paragem.

Manutenção

Fazer manutenção regular à máquina é essencial para que a máquina possa continuar a ser utilizada com eficiência e em segurança. Siga cuidadosamente as instruções de manutenção.

- ◆ Antes de começar a manutenção da máquina, limpe-a para evitar exposição a substâncias perigosas. Veja “Perigos de poeiras e fumos”
- ◆ Utilize só peças autorizadas. Quaisquer danos ou mau funcionamento causados pela utilização de peças não autorizadas não estão cobertos pela Garantia ou pela Responsabilidade Legal do Produto.
- ◆ Quando limpar peças mecânicas com solvente, cumpra os regulamentos apropriados de Saúde e Segurança, e certifique-se de que há ventilação suficiente.
- ◆ Para fazer uma grande revisão/reparação à máquina, contacte a sua oficina autorizada mais próxima.
- ◆ Depois de cada assistência, certifique-se de que o nível de vibração da máquina é normal. Se não for, contacte a sua oficina autorizada mais próxima.

Diariamente

Em máquinas pneumáticas, antes de efectuar qualquer tarefa de manutenção ou de mudança da ferramenta de inserção, desligue sempre a alimentação de ar e purgue o equipamento, pressionando para isso o dispositivo de activação e desactivação e, em seguida, remova a mangueira hidráulica do equipamento.

- ◆ Limpe e inspecione a máquina e o respectivo funcionamento todos os dias, antes de começar o trabalho.
- ◆ Faça uma inspecção geral, procurando fugas e danos.
- ◆ Verifique se o bocal de entrada de ar está bem apertado, e se o acoplamento de gancho não está danificado.
- ◆ Verifique o funcionamento do retentor. Certifique-se de que o retentor trava a broca de aço.
- ◆ Mude imediatamente quaisquer peças danificadas.

- ◆ Substitua atempadamente os componentes desgastados.
- ◆ Verifique os parafusos estruturais da máquina. Certifique-se de que os parafusos estão bem apertados.
- ◆ Se a máquina estiver equipada com um silenciador, certifique-se de que não está danificado.

www.CrowderSupply.com • Toll Free: 888-883-5144

Manutenção periódica

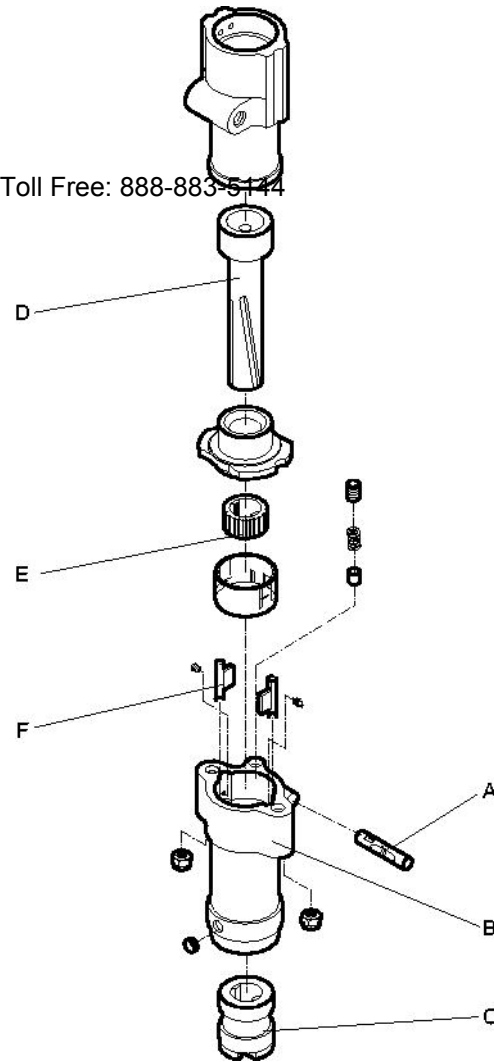
Após cada período de funcionamento de aproximadamente 100 horas de trabalho, ou três vezes por ano, a máquina tem que ser desmontada, e todas as peças limpas e verificadas. Este trabalho tem que ser realizado por pessoal autorizado e qualificado para o efeito.

Binários de aperto

CP 0009	Porca do parafuso estrutural	12-14 ft.lbf (16-19 Nm)
CP 0014	Porca do parafuso estrutural	20-23 ft.lbf (27-31 Nm)

Montagem

Quando montar a máquina, tenha cuidado com o seguinte:



- ◆ Ponha o êmbolo do selector de liberação de rotação (A) dentro da cabeça dianteira (B) antes de montar a manga do casquilho (C).
- ◆ Certifique-se de que a ranhura a direita no êmbolo (D) engata na ranhura a direita na manga do casquilho (C), e que a ranhura em espiral no êmbolo (D) engata na ranhura em espiral no anel de roda dentada (E).
- ◆ Monte o anel de roda dentada (E) na cabeça dianteira (B), por forma a que as partes achatadas dos dentes da roda dentada engatem nas pontas dos linguetes (F).
- ◆ Dê aperto por igual aos parafusos estruturais, para evitar gripagem. Depois de dar aperto, rode o casquilho à mão, para se certificar de que roda livremente.

Armazenamento

- > Limpe correctamente a máquina antes de a armazenar, para evitar substâncias perigosas. Veja “Perigos de poeiras e fumos”
- > Despeje cerca de 1/2 oz (5 cl) de óleo directamente para dentro do bocal de entrada de ar, ligue a máquina à alimentação de ar comprimido e dê arranque à máquina por alguns segundos.
- > Armazene sempre a máquina num lugar seco.

www.CrowderSupply.com • Toll Free: 888-883-5144

Abate

Uma máquina abatida deve ser tratada e eliminada de maneira a que maior parte possível do seu material possa ser reciclada, e que qualquer influência negativa sobre o meio-ambiente seja mantida ao nível mais baixo possível, e em conformidade com as restrições locais.

Dados técnicos

Dados da máquina

www.CrowderSupply.com • Toll Free: 888-883-5144

Tipo	Dimensão do encabadouro in. (mm)	Peso lb (kg)	Diâmetro do êmbolo in. (mm)	Comprimento do curso in. (mm)	Comprimento total in. (mm)	Consumo de ar (6 bar) cfm (l/s)	Frequência de impacto (6 bar) Hz (bpm)
CP 0009 A	Redondo ¾ x ¾ (Redondo 19 x 95)	8,82 (4,0)	1,25 (31,8)	1,38 (35)	14,76 (375)	19 (9)	57 (3420)
CP 0009 AC	Redondo ¾ x ¾ (Redondo 19 x 95)	8,82 (4,0)	1,25 (31,8)	1,38 (35)	14,76 (375)	19 (9)	57 (3420)
CP 0009 CS	Redondo ¾ x ¾ (Redondo 19 x 95)	10,14 (4,6)	1,25 (31,8)	1,38 (35)	14,76 (375)	19 (9)	57 (3420)
CP 0009 E	Redondo ¾ - Hexagonal ⅞ x ¾ (Redondo 19 - Hexagonal 14,7 x 89)	8,82 (4,0)	1,25 (31,8)	1,38 (35)	14,76 (375)	19 (9)	57 (3420)
CP 0009 ES	Redondo ¾ - Hexagonal ⅞ x ¾ (Redondo 19 - Hexagonal 14,7 x 89)	10,14 (4,6)	1,25 (31,8)	1,38 (35)	14,76 (375)	19 (9)	57 (3420)
CP 0009 F	ranhura	8,82 (4,0)	1,25 (31,8)	1,38 (35)	14,76 (375)	19 (9)	57 (3420)
CP 0014 RR	Hexagonal ⅞ x ¾ (Hexagonal 22 x 82,5)	14,77 (6,7)	1,87 (47,6)	1,38 (35)	18,50 (470)	47 (22)	42 (2520)
CP 0014 RRBS	Hexagonal ⅞ x ¾ (Hexagonal 22 x 82,5)	15,87 (7,2)	1,87 (47,6)	1,38 (35)	18,50 (470)	47 (22)	42 (2520)

Declaração de ruído e vibração

Nível de ruído garantido **L_w** de acordo com a ISO 3744 e em conformidade com a directiva 2000/14/CE.

Nível de pressão sonora **L_p** de acordo com a ISO 11203.

Valores das vibrações **A** e incerteza **B** determinado de acordo com ISO 20643. Ver a tabela “Dados de ruído e vibração” para os valores de A, B, etc.

Estes valores declarados foram obtidos por meio de ensaios laboratoriais de acordo com a directiva ou as normas declaradas e são adequados para comparação com os valores declarados de outras ferramentas testadas de acordo com as mesmas directivas ou normas. Estes valores declarados não são adequados para utilização em avaliações de risco, e os valores medidos em locais de trabalho individuais podem ser mais elevados. Os valores reais de exposição e o risco para o utilizador individual são únicos e dependem do modo como o utilizador trabalha, do material em que o equipamento é utilizado, bem como do tempo de exposição e do estado físico do utilizador, e das condições da máquina.

Nós, na Atlas Copco Construction Tools AB, não podemos ser considerados responsáveis pelas consequências de usar os valores declarados em vez de valores que reflectam a exposição real na avaliação de riscos pessoais numa situação de trabalho sobre a qual não temos qualquer controlo.

Esta ferramenta poderá provocar síndrome de vibração da mão-braço, se a respectiva utilização não for gerida correctamente. Pode ser encontrada uma guia da CE para gerir a vibração da mão-braço em <http://www.humanvibration.com/EU/VIBGUIDE.htm>

Recomendamos um programa de supervisão médica para detectar atempadamente possíveis sintomas que possam estar relacionados com a exposição a vibrações, permitindo modificar os procedimentos de gestão para ajudar a evitar uma futura deficiência.

Dados sobre o ruído e vibrações

www.CrowderSupply.com • Toll Free: 888-883-5144

Modelo	Ruído		Vibração	
	Valores declarados		Valores declarados	
	Pressão sonora	Potência sonora	Valores de três eixos	
	ISO 11203	2000/14/CE	ISO 20643	
	Lp r=1m dB(A) rel 20µPa	Lw garantido dB(A) rel 1pW	A m/s ² valor	B m/s ² dispersões
CP 0009 A (para demolição)	-	-	20,2	2,5
CP 0009 A (para perfuração)	-	-	21,2	2,6
CP 0009 AC (para demolição)	-	-	20,2	2,5
CP 0009 AC (para perfuração)	-	-	21,2	2,6
CP 0009 CS (para demolição)	88	103	20,2	2,5
CP 0009 CS (para perfuração)	88	103	21,2	2,6
CP 0009 E (para demolição)	-	-	20,2	2,5
CP 0009 E (para perfuração)	-	-	21,2	2,6
CP 0009 ES (para demolição)	88	103	20,2	2,5
CP 0009 ES (para perfuração)	88	103	21,2	2,6
CP 0009 F (para demolição)	-	-	20,2	2,5
CP 0009 F (para perfuração)	-	-	21,2	2,6
CP 0014 RR (para demolição)	-	-	35,4	4,5
CP 0014 RR (para perfuração)	-	-	45,3	5,2
CP 0014 RRBS (para demolição)	-	-	35,4	4,5
CP 0014 RRBS (para perfuração)	-	-	45,3	5,2

Declaração de Conformidade da CE

Declaração de Conformidade da CE (Directiva da CE 2006/42/CE)

www.CrowderSupply.com • Toll Free: 888-883-5144

Nós, Atlas Copco Construction Tools AB, declaramos pela presente que as máquinas listadas abaixo se encontram em conformidade com as provisões da Directiva 2006/42/CE da CE (Directiva de Maquinaria), e com as normas harmonizadas mencionadas abaixo.

Perfuradores e demolidores rotativos manuais	Pmax (bar)
CP 0009 CS	6.2
CP 0009 ES	6.2

Representante autorizado para Documentação Técnica:

Erik Sigfridsson
 Atlas Copco Construction Tools AB
 Dragonvägen 2
 Kalmar

Director Geral:

Erik Sigfridsson

Fabricante:

Atlas Copco Construction Tools AB
 105 23 Stockholm
 Sweden

Local e data:

Kalmar, 2010-04-01

ITALIANO

Indice

Introduzione	www.CrowderSupply.com • Toll-Free: 888-883-5144.....	113
Informazioni sulle istruzioni per la sicurezza e per l'uso		113
Norme di sicurezza		114
Terminologia di sicurezza.....		114
Precauzioni e qualifiche personali.....		114
Installazione, precauzioni.....		114
Funzionamento, precauzioni.....		115
Manutenzione, precauzioni.....		120
Conservazione, precauzioni.....		120
Avvertenze		121
Modello e funzioni.....		121
Parti principali.....		121
Etichette.....		122
Installazione		122
Disimballaggio della perforatrice.....		122
Tubi e collegamenti.....		122
Misure antigelo.....		123
Collegamento del separatore di condensa.....		123
Lubrificazione.....		123
Utensile di inserimento.....		123
Funzionamento		127
Preparativi prima dell'accensione.....		127
Avviamento e arresto.....		127
Condizioni di esercizio.....		128
Durante le pause della lavorazione.....		128
Manutenzione		128
Giornaliera.....		128
Manutenzione periodica.....		129
Coppie di serraggio.....		129
Montaggio.....		129
Immagazzinamento		130
Smaltimento		130
Dati tecnici		131
Dati della macchina.....		131
Dichiarazione in materia di rumore e vibrazioni.....		131
Dati su rumore e vibrazioni.....		132
Dichiarazione di conformità CE		133
Dichiarazione di conformità CE (Direttiva CE 2006/42/CE).....		133

Introduzione

Grazie per aver scelto i prodotti Chicago Pneumatic. per oltre un secolo, il marchio Chicago Pneumatic ha significato prestazioni e innovazione nel settore degli strumenti pneumatici. www.CrowderSupply.com • Toll Free: 888-883-5144

Oggi il marchio è diffuso in tutto il mondo e offre una vasta gamma di utensili pneumatici e idraulici, quali demolitori, perforatrici, martelli scalpellatori, escavatori per argilla, picconatori e dissodatori, scalpellatori, pompe e molto altro ancora.

Il marchio Chicago Pneumatic è associato a prodotti potenti e affidabili, di facile manutenzione, che danno valore al denaro del cliente.

Per ulteriori informazioni si prega di visitare il sito www.cp.com

Atlas Copco Construction Tools AB
105 23 Stockholm
Svezia

Informazioni sulle istruzioni per la sicurezza e per l'uso

Scopo di queste istruzioni è fornire le conoscenze per un uso sicuro ed efficiente della perforatrice con motore a scoppio. Tali istruzioni offriranno inoltre consigli e indicazioni su come eseguire la normale manutenzione della perforatrice.

Quando ci si accinge a utilizzare la perforatrice per la prima volta, leggere queste istruzioni attentamente e accertarsi di averle comprese perfettamente.

Norme di sicurezza

Per ridurre il rischio di lesioni gravi o morte, per se stessi o altre persone, leggere e comprendere le istruzioni sulla sicurezza e l'uso prima di installare, utilizzare, riparare la macchina e seguirne la manutenzione o modificare gli accessori della macchina.

Affiggere queste istruzioni per la sicurezza e l'uso nelle sedi di lavoro, fornirne copia agli addetti e assicurarsi che tutti le leggano prima di procedere all'uso o alla manutenzione della macchina.

Inoltre, l'operatore o il proprio datore di lavoro dovrebbero valutare i rischi specifici che potrebbero essere presenti come conseguenza di ciascun utilizzo della macchina.

Terminologia di sicurezza

Le parole Pericolo, Attenzione e Prudenza hanno i seguenti significati:

PERICOLO	Indica una situazione di pericolo che, qualora non sia evitata, può provocare gravi lesioni personali o morte.
AVVERTENZA	Indica una situazione di pericolo che, qualora non sia evitata, può provocare gravi lesioni personali o morte.
ATTENZIONE	Indica una situazione di pericolo che, qualora non sia evitata, può provocare lievi lesioni personali o di modesta entità.

Precauzioni e qualifiche personali

L'uso e la manutenzione della macchina sono riservati esclusivamente a personale addestrato e qualificato. Questo deve essere in grado di gestire fisicamente la massa, il peso e la potenza dell'utensile. Utilizzare sempre le regole del buon senso.

Dispositivi di protezione personale

Utilizzare sempre dispositivi di protezione approvati. Gli operatori e tutte le altre persone presenti nella zona di lavoro devono indossare i dispositivi di protezione, che comprenderanno almeno:

- > Elmetto protettivo
- > Protezione acustica
- > occhiali di sicurezza resistenti agli urti con protezioni laterali
- > protezione delle vie respiratorie, se necessario
- > guanti protettivi
- > calzature protettive adeguate
- > Camice da lavoro idoneo o abbigliamento simile (non largo) che copra braccia e gambe.

Droghe, sostanze alcoliche o farmaci

▲ AVVERTENZA Droghe, sostanze alcoliche o farmaci

Droghe, sostanze alcoliche o farmaci possono compromettere il proprio giudizio e la capacità di concentrazione. Scarsa reattività e valutazioni imprecise possono causare gravi incidenti o morte.

- ▶ Non utilizzare mai la macchina qualora si sia estremamente stanchi o sotto l'effetto di droghe, sostanze alcoliche o farmaci.
- ▶ Persone sotto l'effetto di droghe, sostanze alcoliche o farmaci non possono utilizzare la macchina.

Installazione, precauzioni

▲ PERICOLO Colpo di frusta del tubo dell'aria

Un tubo ad aria compressa che si scolleghi può avere dei movimenti sferzanti e causare lesioni personali o la morte. Per ridurre tali rischi:

- ▶ Verificare che il tubo flessibile e i collegamenti per l'aria compressa non siano danneggiati, sostituire se necessario.
- ▶ Verificare che tutti i collegamenti per l'aria compressa siano corretti.
- ▶ Non trasportare mai la macchina pneumatica dal tubo dell'aria.
- ▶ non tentare mai di scollegare un tubo ad aria compressa quando è pressurizzato; Interrompere innanzi tutto l'aria compressa sul compressore e spurgare la macchina attivando il dispositivo di avviamento e arresto.

- ▶ Non orientare il tubo flessibile per aria compressa verso se stessi o altri. Per evitare il rischio di lesioni, non utilizzare mai l'aria compressa per eliminare ad es. polvere, sporco ecc. dagli abiti.
- ▶ Non utilizzare raccordi a sgancio rapido sull'ingresso dell'utensile. Utilizzare i raccordi filettati dei tubi in acciaio temprato (o materiale con una equivalente resistenza all'urto).
- ▶ Ogni volta che si utilizzano innesti girevoli universali (raccordi istantanei) raccomandiamo di montare perni di blocco e di utilizzare cavi di sicurezza contro i colpi di frusta per evitare eventuali problemi di collegamento tubo-utensile e tubo-tubo.

▲ AVVERTENZA **Espulsione dell'utensile di inserimento**

Qualora il trattenitore dell'utensile sulla macchina non sia bloccato, l'utensile inserito può essere espulso con forza provocando lesioni personali.

- ▶ Non avviare mai la macchina prima di sostituire l'utensile di inserimento.
- ▶ Prima di cambiare l'utensile di inserimento o altri accessori, spegnere sempre la macchina, disinserire l'alimentazione dell'aria e spurgare la macchina premendo il dispositivo di avviamento e arresto.
- ▶ Mai orientare l'utensile inserito verso se stessi o un'altra persona.
- ▶ Prima di avviare la macchina, accertarsi che l'utensile di inserimento sia inserito a fondo e che il relativo dispositivo di bloccaggio sia saldamente bloccato.
- ▶ Controllare il funzionamento del blocco spingendo all'esterno l'utensile inserito.

▲ AVVERTENZA **Movimento/slittamento dell'utensile di inserimento**

Dimensioni errate della bussola dell'utensile inserito possono causare perdita o slittamento dell'utensile durante il funzionamento. Rischio di lesioni gravi o di schiacciamento di mani e dita.

- ▶ Verificare che l'utensile di inserimento abbia una bussola che presenti la lunghezza e le dimensioni corrette per la macchina per cui è prevista.
- ▶ Non utilizzare mai un utensile di inserimento senza collare.

Funzionamento, precauzioni

▲ PERICOLO **Rischio di esplosione**

Qualora l'utensile di inserimento caldo venga a contatto con sostanze esplosive vi è il rischio di esplosioni. Durante il funzionamento su determinati materiali nonché quando si usano determinati materiali possono verificarsi scintille e incendi. Eventuali esplosioni causerebbero lesioni gravi o morte.

- ▶ Non utilizzare la macchina in ambienti esplosivi.
- ▶ Non utilizzare mai la macchina in prossimità di materiali, vapori e polveri infiammabili.
- ▶ Accertarsi che non siano presenti fonti di gas o esplosivi non rilevati.
- ▶ Non perforare mai in un foro esistente.

▲ AVVERTENZA **Movimenti inattesi**

L'utensile inserito è soggetto a notevoli sollecitazioni durante l'uso della macchina. Dopo un certo periodo di utilizzo l'utensile inserito può rompersi in seguito all'usura. In caso di rottura o di blocco dell'utensile inserito, potrebbe verificarsi un movimento improvviso o inaspettato con possibile rischio di lesioni. Perdite di equilibrio o scivolamenti, inoltre, possono provocare gravi lesioni personali.

- ▶ Operare sempre in posizione stabile, con i piedi allargati parallelamente alle spalle e con il peso del corpo ben bilanciato.
- ▶ Ispezionare sempre l'attrezzatura prima dell'uso. Non utilizzare l'attrezzatura se si sospetta che sia danneggiata.
- ▶ Accertarsi che le impugnature siano pulite e prive di olio e grasso.
- ▶ Tenere lontani i piedi dall'utensile inserito.
- ▶ Afferrare saldamente la macchina con entrambe le mani.
- ▶ Non forare mai in un foro esistente.
- ▶ Non avviare mai la macchina quando questa si trova coricata al suolo.
- ▶ Non "arrampicarsi" mai sulla macchina appoggiando un piede sull'impugnatura.
- ▶ Non colpire né utilizzare impropriamente l'attrezzatura.
- ▶ Verificare regolarmente che l'utensile di inserimento non sia usurato e controllarlo in caso di rischio di danni o rotture evidenti.

- ▶ Prestare sempre la massima attenzione durante il lavoro.

▲ AVVERTENZA Pericolo di stallo

Qualora l'utensile di inserimento si blocchi durante il funzionamento, l'intera macchina inizia a ruotare se si perde la presa. La rotazione improvvisa della macchina può provocare gravi lesioni personali o la morte.

- ▶ Afferrare saldamente la macchina con entrambe le mani.
- ▶ Accertarsi che le impugnature siano pulite e prive di olio e grasso.
- ▶ Non forare mai in un foro esistente.

▲ AVVERTENZA Pericolo di intrappolamento

Collane, capelli, guanti e indumenti possono impigliarsi nell'utensile di inserimento o dagli accessori in rotazione, provocando soffocamento, strappo del cuoio capelluto, lacerazioni o morte. Per ridurre tali rischi:

- ▶ Non afferrare o toccare mai una punta in acciaio rotante.
- ▶ Non indossare indumenti, collane o guanti che possono rimanere impigliati.
- ▶ Raccogliere eventuali capelli lunghi.

▲ AVVERTENZA Rischi correlati alla polvere e ai fumi

Polvere e/o fumi generati o dispersi quando si utilizza la macchina potrebbero provocare patologie respiratorie serie e permanenti, malattie, o altre patologie polmonari irreversibili che possono essere fatali, cancro, patologia neonatali, e/o infiammazioni cutanee).

Alcune polveri, fumi prodotti da perforazione, frantumazione, demolizione, taglio, rettifica e altre attività di costruzione, contengono sostanze note presso lo Stato della California e altre autorità come cancerogene e portatrici di patologie respiratorie, difetti neonatali o altri danni correlati alla riproduzione. Tra queste sostanze vi sono, a titolo esemplificativo:

- > silice cristallina, cemento e altri prodotti per l'edilizia.
- > Arsenico e cromo derivati da gomma trattata chimicamente.
- > Vernici a base di piombo.

Polveri e fumi possono essere invisibili all'occhio nudo, quindi non affidarsi alla vista per determinare la presenza di polveri o fumi nell'aria.

Per ridurre il rischio di esposizione a polveri e fumi, agire come segue:

- ▶ Eseguire una valutazione del rischio specifica per il sito. La valutazione dei rischi deve includere le polveri e i fumi creati dall'impiego della macchina e il potenziale di disturbo delle polveri esistenti.
- ▶ Utilizzare controlli strutturali adeguati per ridurre al minimo la quantità di polveri e fumi nell'aria e per ridurre al minimo l'accumulo su attrezzatura, superfici e parti del corpo. Alcuni esempi di controlli sono: sistemi di ventilazione d'estrazione e di raccolta delle polveri, spruzzi d'acqua e perforazione a umido. Controllare polveri e fumi alla fonte, ove possibile. Accertarsi che questi controlli siano adeguatamente installati, sottoposti a manutenzione e utilizzati correttamente.
- ▶ Indossare, sottoporre a manutenzione e utilizzare correttamente protezioni della respirazione come indicato dal datore di lavoro e come richiesto dalle norme sulla sicurezza e la salute sul lavoro. Le protezioni delle vie respiratorie devono essere idonee alle sostanze in questione (e se applicabile autorità governative rilevanti).
- ▶ Lavorare in un'area ben ventilata.

- ▶ Se la macchina ha uno scarico, dirigerlo in modo tale da ridurre il disturbo delle polveri in un ambiente polveroso.
- ▶ Utilizzare e sottoporre a manutenzione la macchina come indicato nelle istruzioni per l'uso e al sicurezza.
- ▶ Scegliere, sottoporre a manutenzione e sostituire gli utensili di inserimento/prodotti di consumo come indicato nelle istruzioni per l'uso e la sicurezza. La scelta errata o la mancanza di manutenzione degli utensili di inserimento/prodotti di consumo/altri accessori potrebbe provocare un aumento delle polveri o dei fumi.
- ▶ Indossare indumenti protettivi lavabili o monouso sul luogo di lavoro e fare la doccia e indossare indumenti puliti prima di lasciare il luogo di lavoro per ridurre l'esposizione alle polveri e ai fumi a se stesso e quella di altre persone, automobili, abitazioni e altre aree.
- ▶ Non mangiare, bere né fare uso di prodotti a base di tabacco in presenza di polveri e fumi.
- ▶ Lavarsi appena possibile accuratamente le mani e il viso quando si esce dall'area di esposizione e sempre prima di mangiare, bere, usare prodotti del tabacco e di entrare in contatto con altre persone.
- ▶ Rispettare tutte le leggi e le normative applicabili, incluse quelle sulla sicurezza e la salute sul lavoro.
- ▶ Partecipare al monitoraggio dell'aria, alle visite mediche programmate e ai corsi di formazione sulla salute e e sulla sicurezza offerti dal proprio datore di lavoro o dall'azienda e in conformità con le normative e le raccomandazioni sulla sicurezza e la salute sul lavoro. Consultare medici esperti in medicina del lavoro.
- ▶ Lavorare con il proprio datore di lavoro e il sindacato per ridurre l'esposizione a polveri e fumi sul posto di lavoro e per ridurre i rischi. Sulla base dei consigli di esperti sulla sicurezza e sulla salute, definire e implementare programmi, politiche e procedure sulla sicurezza e la salute per proteggere i lavoratori e gli altri dall'esposizione pericolosa a polveri e fumi. Consultare gli esperti.

▲ AVVERTENZA Proiettili

Guasti a livello dell'utensile, degli accessori o perfino della macchina stessa, possono generare proiettili ad alta velocità. Durante il funzionamento, schegge o altre particelle di materiale di lavoro possono colpire l'operatore e causare lesioni fisiche, colpendo l'operatore o altre persone. Per ridurre tali rischi:

- ▶ Utilizzare dispositivi di protezione individuali e elmetto di sicurezza omologati, ad esempio occhiali di sicurezza resistenti agli urti con protezioni laterali.
- ▶ Assicurarsi che persone non autorizzate non si introducano nella zona di lavoro.
- ▶ Mantenere il luogo di lavoro privo di corpi estranei.
- ▶ Accertarsi che il pezzo da lavorare sia ben fissato.

▲ AVVERTENZA Pericolo di schegge

L'utilizzo dell'utensile di inserimento come strumento di percussione manuale può provocare la formazione di schegge che possono colpire l'operatore con conseguenti lesioni personali.

- ▶ Non utilizzare mai un utensile di inserimento come strumento di percussione manuale. Gli utensili di inserimento sono stati concepiti e termotrattati per essere impiegati esclusivamente all'interno di una macchina.

▲ AVVERTENZA Pericoli di scivolamento, inciampo e caduta

Esiste un rischio di scivolamento, inciampo e caduta per esempio inciampo sui cavi o su altri oggetti. Scivolamento, inciampo e caduta possono causare lesioni. Per ridurre tali rischi:

- ▶ Accertarsi sempre che non vi siano cavi o altri oggetti che ostacolano il cammino dell'utente o di altri.
- ▶ Operare sempre in posizione stabile, con i piedi allargati parallelamente alle spalle e con il peso del corpo ben bilanciato.

▲ AVVERTENZA Rischi correlati al movimento

Quando si utilizza la macchina per eseguire attività collegate al lavoro, potrebbe verificarsi fastidio a mani, braccia, spalle, collo o altre parti del corpo.

- ▶ Adottare una postura corretta e una presa sicura ed evitare strane posture sbilanciate.
- ▶ Il cambio di postura durante lavori prolungati può aiutare a ridurre il fastidio e la fatica.
- ▶ In caso di sintomi persistenti o ricorrenti, consultare un medico professionista qualificato.

▲ AVVERTENZA Rischi correlati alle vibrazioni

L'uso normale e corretto della macchina espone l'operatore a vibrazioni. Un'esposizione regolare e frequente alle vibrazioni può causare o aggravare, tra le altre cose, lesioni o disturbi a dita, mani, polsi, braccia, spalle e/o nervi e vasi o altre parti del corpo dell'operatore, comprese lesioni o disturbi debilitanti e/o permanenti, che potrebbero svilupparsi gradualmente, nel corso di settimane, mesi o perfino anni. Tali lesioni o disturbi possono provocare danni al sistema circolatorio, sistema nervoso, articolazioni e anche ad altre parti dell'organismo.

Se in un qualunque momento dovessero manifestarsi sintomi quali intorpidimento, fastidio prolungato e ricorrente, sensazione di bruciore, rigidità, formicolio, fitte, indebolimento della presa, dolore, pallore o altro, che si stia utilizzando la macchina o meno, interrompere l'uso e rivolgersi a un medico. La prosecuzione nell'utilizzo della macchina dopo il verificarsi di uno di tali sintomi aumenta il rischio che esso diventi più grave e/o permanente.

Far funzionare ed eseguire la manutenzione sulla macchina come raccomandato in queste istruzioni per impedire un aumento non necessario delle vibrazioni.

Per ridurre l'esposizione dell'operatore alle vibrazioni, adottare le seguenti precauzioni:

- ▶ lasciare che sia l'utensile a eseguire il lavoro. Utilizzare una presa minima sufficiente al controllo corretto e al funzionamento sicuro.
- ▶ Se la macchina è dotata di impugnature ad assorbimento delle vibrazioni, tenerle in posizione centrale, evitando di premerle nei fermi terminali.
- ▶ Quando è attivato il meccanismo di percussione, il solo contatto che il corpo dell'operatore deve avere con la macchina è delle mani sull'impugnatura/impugnature. Evitare altro contatto, ad es. addossando una parte del corpo alla macchina o appoggiandovisi per aumentare la forza di avanzamento. Inoltre è importante mantenere il dispositivo di avviamento e di arresto non innestato durante l'estrazione dell'utensile dalla superficie di lavoro frantumata.

- ▶ Accertarsi che sull'utensile inserito venga eseguita una corretta manutenzione (ad es. affilatura, se si tratta di un utensile da taglio), che non sia usurato e che sia delle dimensioni corrette. Utensili di inserimento sui quali non venga eseguita una corretta manutenzione, che siano usurati o di dimensioni errate impiegano più tempo a compiere un'operazione (quindi con un periodo maggiore di esposizione alle vibrazioni) e possono causare o contribuire a più alti livelli di esposizione alle vibrazioni.
- ▶ Interrompere immediatamente il lavoro se la macchina improvvisamente inizia a vibrare eccessivamente. Prima di riprendere il lavoro, individuare e rimuovere la causa dell'aumento delle vibrazioni.
- ▶ Non afferrare mai o toccare l'utensile inserito con la macchina in funzione.
- ▶ Partecipare a sorveglianza o monitoraggio sanitario, esami medici e programmi di formazione resi disponibili dal proprio datore di lavoro e quando richiesto dalla legge.
- ▶ Quando si lavora al freddo, indossare indumenti caldi e tenere sempre le mani calde e asciutte.

Vedere la "Dichiarazione in materia di rumore e vibrazioni" per quanto concerne la macchina, compresi i valori di vibrazione dichiarati. Queste informazioni si trovano al termine di queste istruzioni per la sicurezza e per l'uso.

- ◆ Nell'utilizzare la macchina, adottare la pressione dell'aria raccomandata. Una pressione dell'aria maggiore o inferiore può causare livelli più alti di vibrazioni.

▲ PERICOLO Pericolo elettrico

La macchina non è isolata elettricamente. In caso di contatto della macchina con l'elettricità possono derivarne lesioni personali gravi o morte.

- ▶ Non mettere mai in funzione la macchina vicino a cavi elettrici o ad altre fonti di elettricità.
- ▶ Accertarsi che non siano presenti cavi nascosti o altre sorgenti elettriche nella zona di lavoro.

▲ AVVERTENZA Pericoli correlati a oggetti nascosti

Durante il funzionamento, cavi e tubi nascosti possono provocare gravi lesioni personali.

- ▶ Prima del funzionamento, verificare la composizione del materiale della macchina.
- ▶ Accertarsi che non vi siano cavi e condutture nascosti, ad es. di elettricità, linee telefoniche, acqua, gas e acque di rifiuto, ecc.
- ▶ Qualora si sospetti che l'utensile inserito abbia urtato un oggetto nascosto, spegnere immediatamente la macchina.
- ▶ Accertarsi che non vi siano pericoli prima di continuare.

▲ AVVERTENZA Avviamento accidentale

L'avviamento accidentale della macchina può provocare gravi lesioni personali.

- ▶ Tenere lontane le mani dal dispositivo di avviamento ed arresto fino a quando l'operatore non è pronto ad avviare la macchina.
- ▶ Imparare come fermare la macchina in caso di emergenza.
- ▶ Rilasciare immediatamente il dispositivo di avviamento e arresto in caso di interruzione di corrente.
- ▶ Per il montaggio o lo smontaggio dell'utensile di inserimento disattivare l'alimentazione pneumatica, disaerare la macchina premendo il dispositivo di avvio e arresto e scollegare la macchina dalla sorgente di alimentazione.

▲ AVVERTENZA Rischio correlato al rumore

Elevati livelli di rumore possono causare una perdita dell'udito permanente e disabilitante, nonché altri problemi quali acufeni (fischi, ronzii, crepitii nelle orecchie). Per ridurre i rischi ed evitare qualsiasi inutile aumento dei livelli di rumore:

- ▶ La valutazione del rischio e l'implementazione di adeguati controlli sono fondamentali.
- ▶ Utilizzare e sottoporre a manutenzione la macchina come indicato nelle presenti istruzioni.
- ▶ Scegliere, sottoporre a manutenzione e sostituire l'utensile di inserimento come indicato nelle presenti istruzioni.
- ▶ Se la macchina è dotata di un silenziatore, assicurarsi che sia in posizione e in buone condizioni.
- ▶ Utilizzare sempre protezioni acustiche.

- ▶ Utilizzare materiale di smorzamento per evitare che i pezzi lavorati “suonino”.

Manutenzione, precauzioni

www.CrowderSupply.com • Toll Free: 888-883-5144

▲ **AVVERTENZA** **Modifica della macchina**

Eventuali modifiche alla macchina possono causare lesioni personali all'operatore e ad altre persone.

- ▶ Non modificare mai la macchina. Le macchine modificate non sono coperte da garanzia o responsabilità sul prodotto.
- ▶ Utilizzare sempre ricambi, utensili d'inserimento ed accessori originali.
- ▶ Sostituire immediatamente i pezzi danneggiati.
- ▶ Sostituire tempestivamente i componenti usurati.

▲ **ATTENZIONE** **Utensile di inserimento caldo**

La punta dell'utensile di inserimento potrebbe riscaldarsi e potrebbe affilarsi quando viene utilizzata. Il contatto con la punta può causare ustioni e tagli.

- ▶ Non toccare mai un utensile di inserimento quando è caldo o tagliente.
- ▶ Attendere che l'utensile di inserimento si sia raffreddato prima di eseguire qualsiasi intervento di manutenzione.

▲ **AVVERTENZA** **Pericoli legati all'utensile di inserimento**

L'azionamento accidentale del dispositivo di avvio e di arresto durante la manutenzione o l'installazione può causare lesioni gravi quando l'alimentazione è collegata.

- ▶ Non ispezionare, pulire, installare o rimuovere l'utensile di inserimento quando l'alimentazione è collegata.

Conservazione, precauzioni

- ◆ La macchina e gli utensili devono essere conservati in un luogo sicuro e fuori dalla portata dei bambini, chiuso a chiave.

Avvertenze

Per ridurre il rischio di lesioni gravi o morte, per se stessi o altre persone, prima di utilizzare la macchina leggere la sezione delle istruzioni sulla sicurezza che si trova nelle prime pagine di questo manuale.

Modello e funzioni

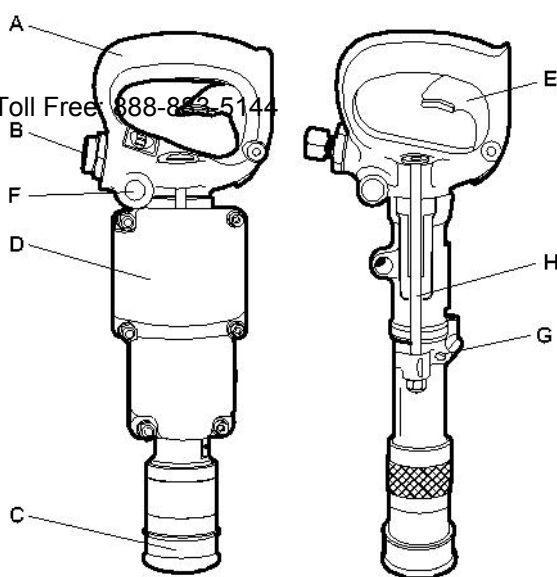
CP 0009 e CP 0014 sono macchine combinate per perforazione e demolizione, progettate per uso orizzontale e verticale.

La CP 0009 è dotata di un fermo a cambio rapido ed ha una rotazione destrorsa. La macchina può essere adattata per la perforazione o la demolizione sostituendo l'utensile di inserimento o azionando il dispositivo di rilascio della rotazione a seconda dei modelli. Esempi d'uso sono perforazione, scalpellamento o sgorbiare in calcestruzzo o muratura. Non è consentito uso diverso da quello indicato.

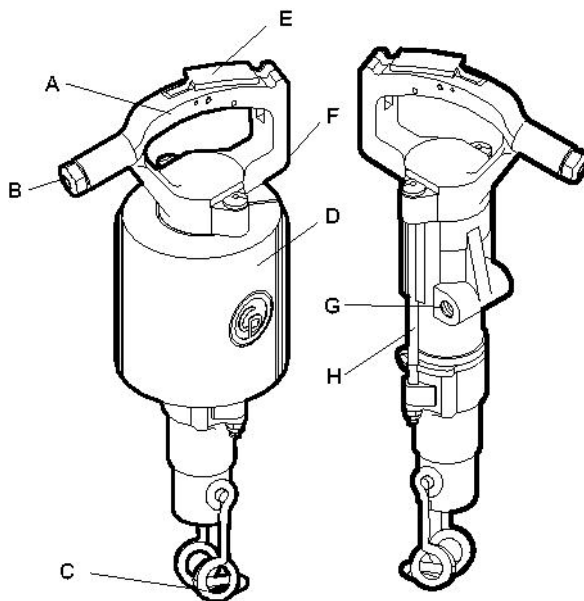
La CP 0014 è dotata di un fermo a molla ed ha una rotazione destrorsa. La macchina può essere adattata per la perforazione e la demolizione azionando il dispositivo di rilascio di rotazione. Esempio di uso come perforatrici sono perforazione in granito, calcestruzzo, pietra calcarea, o muratura o altri materiali simili. Come martello può essere utilizzata per perforazione, scalpellamento o sgorbiatura in calcestruzzo o muratura. Non è consentito uso diverso da quello indicato.

Per scegliere l'utensile di inserimento corretto, fare riferimento all'elenco delle parti di ricambio.

Parti principali



CP 0009



CP 0014

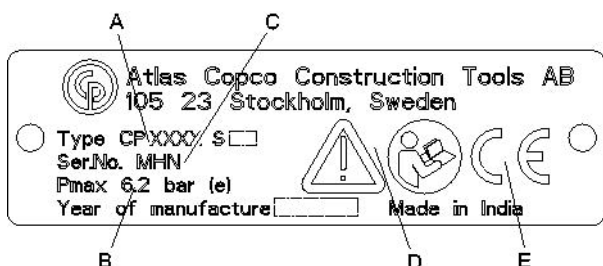
- A. Impugnatura
- B. Nipplo di ingresso dell'aria
- C. Trattenitore
- D. Silenziatore
- E. Dispositivo di azionamento
- F. Lubrificatore
- G. Meccanismo di rilascio

H. Bullone passante

Etichette

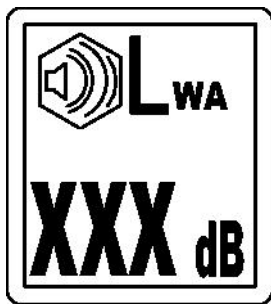
Sulla macchina sono apposte etichette con informazioni importanti per la sicurezza dell'operatore e la manutenzione della macchina. Le condizioni delle etichette devono essere tali da consentirne una facile lettura. È possibile ordinare nuove etichette facendo riferimento all'elenco dei pezzi di ricambio.

Targhetta dei dati



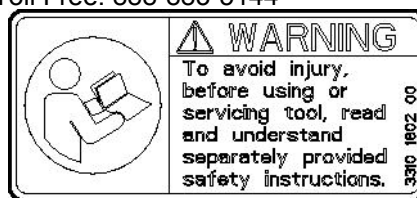
- A. Tipo di macchina
- B. Pressione pneumatica massima consentita
- C. Numero di serie
- D. Il simbolo di attenzione insieme al simbolo del libro indicano che occorre leggere le Istruzioni per la sicurezza e per l'uso quando ci si accinge a utilizzare la macchina per la prima volta.
- E. Il simbolo CE indica che la macchina è approvata dalla CE. Per ulteriori informazioni, consultare l'allegata dichiarazione CE. Se il simbolo CE manca, indica che la macchina non è approvata dalla CE.

Etichetta relativa al livello di rumore



L'etichetta indica l'indicatore di livello rumore garantito corrispondente alla direttiva CE 2000/14/CE. Vedere "Dati tecnici" per il livello di rumore preciso.

Etichetta di sicurezza



Per evitare lesioni, prima di usare o di effettuare la manutenzione su un utensile, leggere e comprendere le istruzioni di sicurezza fornite separatamente.

Installazione

Disimballaggio della perforatrice

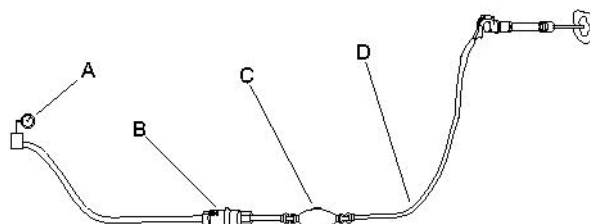
Ripari in plastica

Prima di utilizzare la perforatrice per la prima volta rimuovere tutte le protezioni in plastica dai raccordi.

Lubrificare

Dopo aver sballato e installato lo strumento, versare un po' di olio lubrificante nell'attacco dell'aria.

Tubi e collegamenti



- A. Sorgente di aria compressa
- B. Separatore di condensa (opzionale)
- C. Oliatore (opzionale)
- D. Tubo dell'aria compressa lungo max. 10 feet (3 metri) tra l'oliatore e la macchina.

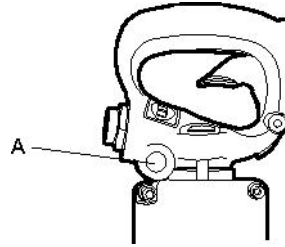
- ◆ Verificare che si stia usando la corretta pressione operativa raccomandata, 87 psig (6 bar).
- ◆ La pressione massima consentita dell'aria compressa, 90 psig (6,2 bar (e)), non deve mai essere superata.
- ◆ Soffiare via eventuali impurità dal tubo dell'aria compressa prima di collegarlo alla macchina.
- ◆ Selezionare le dimensioni e la lunghezza corrette per il tubo dell'aria compressa. Per tubi di lunghezza superiore a 100 feet (30 metri), usare un tubo con diametro minimo interno di 3/4" (19 mm). Se il tubo ha una lunghezza tra i 100 e i 330 feet (30 e 100 metri), usare un tubo con diametro interno minimo di 1" (25 mm).

www.CrowderSupply.com • Toll Free: 888-883-5144

problemi di avvio, potenza bassa o prestazioni irregolari.

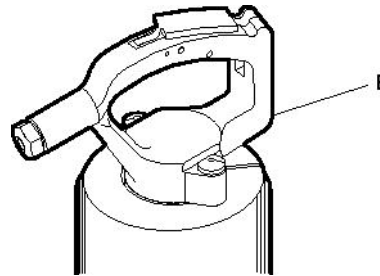
Allo scopo di fornire il corretto volume di olio, controllare e rabboccare regolarmente l'oliatore incorporato. Inoltre, si consiglia l'impiego di un oliatore pneumatico per garantire un'alimentazione costante ed adeguata di lubrificante.

Lubrificante raccomandato: Olio per perforatrici con viscosità di 100-150 SUS a 100°F (ISO VG 22-32).



CP 0009

Giornalmente prima dell'uso e dopo quattro ore di servizio, rimuovere il tappo (A) e saturare il feltro e rabboccare il ricevitore d'olio con l'olio consigliato.



CP 0014

Giornalmente prima dell'uso e dopo quattro ore di servizio, rimuovere il tappo (B) e rabboccare il ricevitore d'olio con l'olio consigliato.

Misure antigelo

La formazione di ghiaccio nel silenziatore si può verificare quando la temperatura ambiente è di 32-50 °F (0-10°C) e l'umidità relativa è alta.

La macchina è stata progettata in maniera tale da evitare la formazione di ghiaccio nel silenziatore. Malgrado ciò, in condizioni estreme è possibile che ciò accada.

Per evitare ulteriormente il rischio di formazione di ghiaccio, usare un separatore d'acqua.

Collegamento del separatore di condensa

Tra il compressore e il separatore di condensa utilizzare un tubo che abbia una lunghezza sufficiente a garantire che il vapore acqueo si raffreddi e si condensi nel tubo prima di raggiungere il separatore.

Se la temperatura ambiente è inferiore a 32°F (0°C), il tubo deve essere sufficientemente corto per evitare il rischio di formazione di ghiaccio prima che l'acqua raggiunga il separatore di condensa.

Lubrificazione

Il lubrificante è importante per il funzionamento della macchina e ha un impatto significativo sulla sua durata utile.

Indicazioni di lubrificazione corretta sono la presenza di nebbia d'olio nell'aria di scarico e di qualche traccia di olio sul codolo della perforatrice dell'adattatore. un eccesso di lubrificante causa

Utensile di inserimento

▲ ATTENZIONE Utensile di inserimento caldo

La punta dell'utensile di inserimento potrebbe riscaldarsi e potrebbe affilarsi quando viene utilizzata. Il contatto con la punta può causare ustioni e tagli.

- ▶ Non toccare mai un utensile di inserimento quando è caldo o tagliente.
- ▶ Attendere che l'utensile di inserimento si sia raffreddato prima di eseguire qualsiasi intervento di manutenzione.

Crowder Supply Co., Inc. • 8495 Roslyn St., Commerce City, CO 80022 • Toll Free: 888-883-5144 • www.CrowderSupply.com

Selezione del corretto utensile di inserimento

La selezione dell'utensile di inserimento giusto è un requisito indispensabile per il corretto funzionamento della macchina. Per evitare danni alla macchina, è importante che l'utensile di inserimento scelto sia di alta qualità.

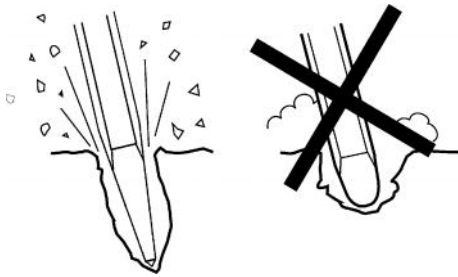
L'uso errato degli utensili di inserimento può distruggere la macchina.

Gli utensili di inserimento raccomandati sono indicati nell'elenco delle parti di ricambio.

▲ AVVERTENZA **Rischio correlato alle vibrazioni**

Utensili inseriti che non soddisfano i criteri menzionati in seguito impiegano più tempo a compiere un'operazione e possono causare livelli più alti di esposizione alle vibrazioni. Un utensile usurato causa un tempo di lavorazione maggiore.

- ▶ Accertarsi che sull'utensile inserito venga eseguita una corretta manutenzione, che non sia usurato e che sia delle dimensioni corrette.
- ▶ Usare sempre un utensile affilato per poter lavorare in maniera efficace.



AVVISO Non raffreddare mai un utensile di inserimento caldo in acqua, potrebbe derivarne fragilità e rottura precoce.

▲ AVVERTENZA **Espulsione dell'utensile di inserimento**

Qualora il trattenitore dell'utensile sulla macchina non sia bloccato, l'utensile inserito può essere espulso con forza provocando lesioni personali.

- ▶ Prima di cambiare l'utensile di inserimento, spegnere sempre la macchina, disinserire l'alimentazione dell'aria compressa e spurgare la macchina premendo il dispositivo di avviamento e arresto.

Prima del montaggio della punta di perforazione

Accertare che la bussola dell'utensile sia della misura e lunghezza corretta per il mandrino utilizzato. La bussola deve essere pulita e l'utensile in buone condizioni. Le bussole sceggiate, arrotondate, scenterate o troppo strette sull'estremità di battuta funzioneranno in modo inefficiente e causeranno guasti prematuri al pistone.

Ispezionare la punta di perforazione: Una punta smussata rallenta la velocità di perforazione e sottopone il meccanismo della perforatrice a sforzo eccessivo. Alla sostituzione della punta accertarsi che la nuova punta sia della misura adatta al foro eseguito in precedenza.

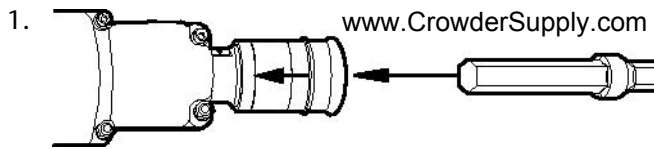
Prima di perforare, verificare che il foro di spurgo nella punta di perforazione non sia otturato.

Se dovessero formarsi bave intorno alle quattro scanalature nel mandrino della punta di perforazione, levigarle bene. Ne conseguiranno un inserimento ed una rimozione della punta di perforazione più agevoli nonché un funzionamento più efficace del mandrino.

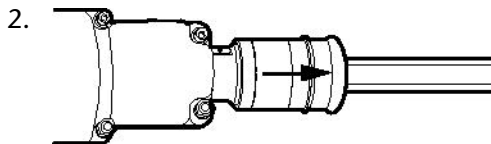
Montaggio dell'utensile di inserimento

Attenersi alle istruzioni indicate di seguito per il montaggio dell'utensile di inserimento:

CP 0009

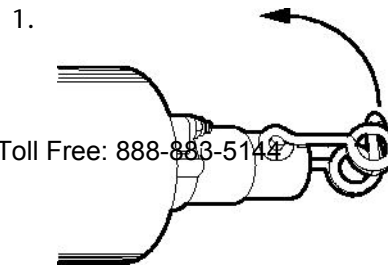


Tirare il trattentore dell'utensile e trattenerlo all'indietro nel senso della freccia, inserire contemporaneamente l'utensile nel mandrino.

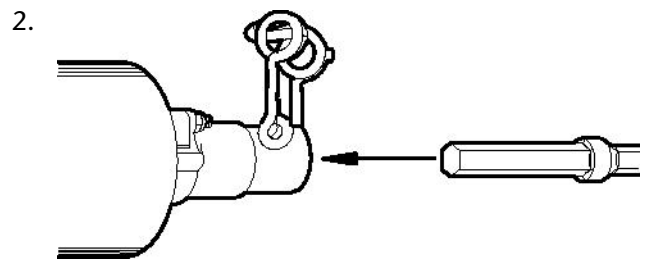


Quando l'utensile di inserimento arriva al fondo, bloccare il trattentore rilasciandolo. Controllare il funzionamento del blocco spingendo all'esterno l'utensile inserito.

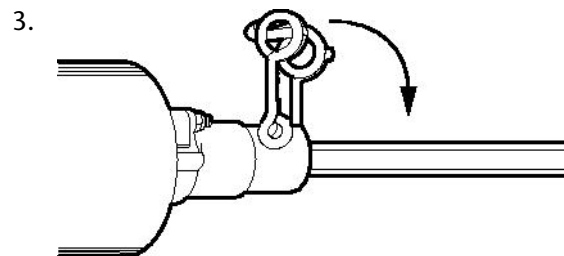
CP 0014



Spingere il trattentore verso l'alto in direzione della freccia.



Inserire l'utensile di inserimento nel mandrino.

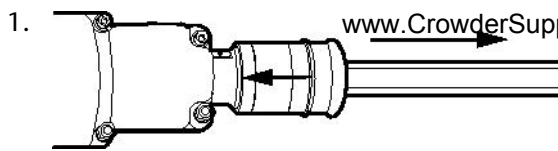


Quando l'utensile di inserimento arriva al fondo, spingere indietro il trattentore per bloccarlo.

Rimozione dell'utensile di inserimento.

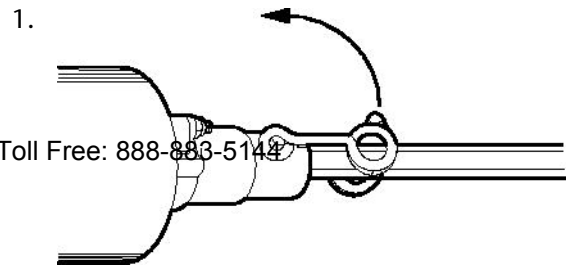
Attenersi alle istruzioni indicate di seguito per la rimozione dell'utensile di inserimento:

CP 0009

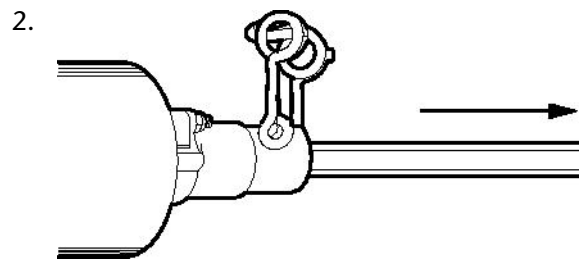


Tirare il trattentore dell'utensile e trattenerlo all'indietro nel senso della freccia, rimuovere contemporaneamente l'utensile estraendolo.

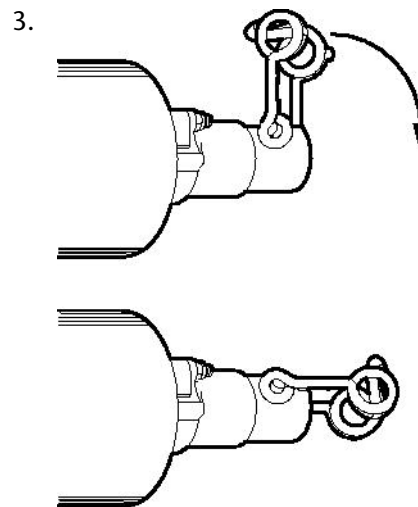
CP 0014



Spingere il trattentore verso l'alto in direzione della freccia.



Estrarre l'utensile di inserimento.



Spingere indietro il trattentore.

Funzionamento

Preparativi prima dell'accensione

Controllare le attrezzature di perforazione

- ◆ Controllare che l'intera attrezzatura di perforazione sia in buono stato operativo.
- ◆ Controllare che la superficie d'impatto della bussola della punta sia piana e non presenti segni di usura.
- ◆ Accertarsi che non vi siano ostruzioni sull'ingresso dell'aria e sulle porte di scarico.
- ◆ Controllare che i fori di spurgo del fioretto e della punta non siano bloccati e che l'aria/acqua di spurgo possa fuoriuscire senza ostacoli
- ◆ Accertarsi che le giunzioni siano ben serrate e che non presentino perdite.

▲ PERICOLO Colpo di frusta del tubo dell'aria

Un tubo ad aria compressa che si scolleghi può avere dei movimenti sferzanti e causare lesioni personali o la morte.

- ▶ Verificare che il tubo flessibile e i collegamenti per l'aria compressa non siano danneggiati.
- ▶ Verificare che tutti i collegamenti per l'aria compressa siano corretti.

Spurgare il flessibile per l'aria

- ◆ Spurgare quotidianamente prima dell'uso il flessibile per l'aria in modo da rimuovere lo sporco accumulato e l'umidità.

Riempire di olio l'oliatore

- ◆ Accertarsi che il mandrino e la bussola del fioretto siano sempre ricoperti da una pellicola d'olio.

Avviamento e arresto

▲ AVVERTENZA Avviamento accidentale

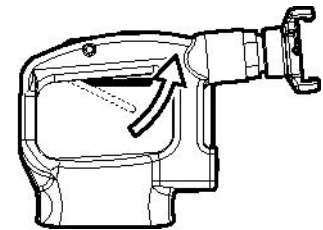
L'avviamento accidentale della macchina può provocare gravi lesioni personali.

- ▶ Tenere lontane le mani dal dispositivo di avviamento ed arresto fino a quando l'operatore non è pronto ad avviare la macchina.
- ▶ Imparare come fermare la macchina in caso di emergenza.
- ▶ Arrestare immediatamente la macchina in caso di interruzione di corrente.

Avviamento e arresto

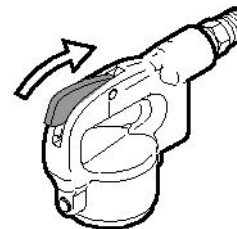


CP 0014

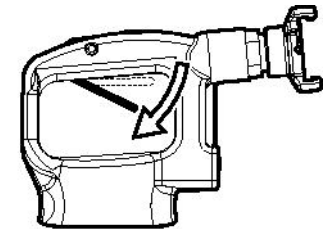


CP 0009

Avviare la macchina premendo il dispositivo di azionamento e nel contempo mantenere saldamente l'impugnatura.



CP 0014



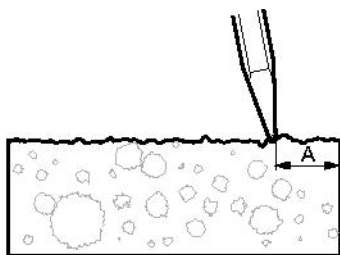
CP 0009

Arrestare la macchina rilasciando il dispositivo di azionamento. Questo torna automaticamente nella posizione di arresto.

Condizioni di esercizio

Avvio di un taglio

- ◆ Operare in posizione stabile, con i piedi ben lontani dall'utensile inserito.
- ◆ Puntare l'utensile sulla superficie di lavoro prima dell'avvio.
- ◆ Regolare la distanza dai bordi in modo che il demolitore possa fessurare il materiale senza romperlo.
- ◆ Non provare a rompere pezzi troppo grandi. Regolare la distanza di demolizione (A) in maniera tale che l'utensile inserito non si blocchi.



Demolizione e perforazione

- ◆ Indossare sempre calzature protettive, guanti, casco, protezioni per l'udito e protezione per gli occhi resistenti agli impatti con protezione laterale.
- ◆ Evitare di lavorare materiali estremamente duri, ad es. granito e ferro per cemento armato (tondini per cemento armato), che potrebbero causare vibrazioni eccessive.
- ◆ Controllare regolarmente che la macchina sia ben lubrificata.
- ◆ Quando la macchina viene sollevata, non azionare il dispositivo di avviamento.
- ◆ Evitare qualunque forma di utilizzo a regime minimo, senza utensile di inserimento o con la macchina sollevata.
- ◆ Afferrare saldamente la macchina con entrambe le mani.
- ◆ Puntare bene l'utensile sulla superficie di lavoro prima dell'avvio della macchina.
- ◆ Lasciare che sia la macchina a eseguire il lavoro; non esercitare una pressione eccessiva.

Durante le pause della lavorazione

- ◆ Durante le pause riporre la macchina in maniera tale che non sia possibile l'azionamento involontario.
- ◆ Nel caso in cui la pausa sia lunga o quando si lascia il pezzo da lavorare: interrompere l'erogazione dell'alimentazione e spurgare la macchina attivando il dispositivo di avviamento e arresto.

Manutenzione

La manutenzione regolare è un requisito di base perché l'uso dell'utensile continui ad essere sicuro ed efficiente. Seguire attentamente le istruzioni per la manutenzione.

- ◆ Prima di iniziare la manutenzione sulla macchina, pulirla per evitare l'esposizione a sostanze pericolose. Vedere "Rischi correlati alla polvere e ai fumi"
- ◆ Utilizzare esclusivamente ricambi originali. Eventuali danni o guasti dovuti dall'uso di ricambi non originali non sono coperti da Garanzia o Responsabilità sul Prodotto.
- ◆ In caso di pulizia delle parti meccaniche con un solvente, rispettare tutte le norme di sicurezza vigenti e accertarsi che vi sia una ventilazione adeguata.
- ◆ Per la manutenzione completa della macchina, rivolgersi al proprio centro di assistenza autorizzato.
- ◆ Dopo ogni intervento, controllare che il livello di vibrazione della macchina sia normale. In caso contrario, contattare l'officina autorizzata di zona per ulteriori istruzioni.

Giornaliera

Prima di accingersi alla manutenzione o alla sostituzione dell'utensile di inserimento su macchine pneumatiche, disinserire sempre l'alimentazione dell'olio e spurgare la macchina premendo il dispositivo di avviamento e arresto, scollegare quindi il tubo flessibile pneumatico dalla macchina.

- ◆ Pulire ed ispezionare la macchina e le sue funzioni ogni giorno prima di iniziare il lavoro.
- ◆ Eseguire un'ispezione generale per verificare che non vi siano perdite o danni.
- ◆ Controllare che il nipplo della Crowder Supply sia serrato e che il raccordo a baionetta non sia danneggiato.
- ◆ Verificare il funzionamento del trattenitore. Accertarsi che blocchi la punta di perforazione.
- ◆ Sostituire immediatamente i pezzi danneggiati.
- ◆ Sostituire tempestivamente i componenti usurati.
- ◆ Controllare i bulloni passanti della macchina. Accertarsi che siano sempre serrati.
- ◆ Se la macchina è dotata di un silenziatore, controllare il danno.

Manutenzione periodica

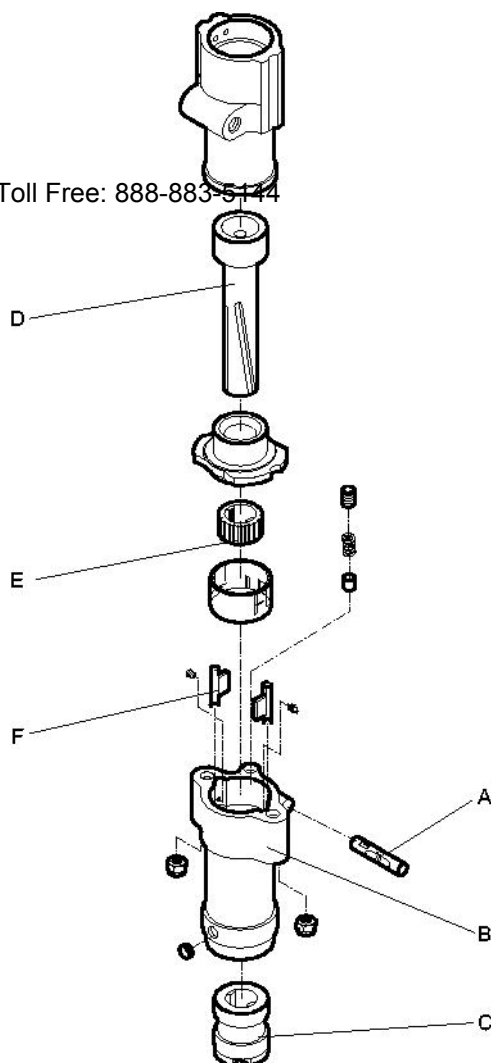
Dopo un periodo d'uso di circa 100 ore di esercizio o tre volte all'anno, smontare la macchina e pulirne e controllarne tutti i componenti. Questo lavoro deve essere eseguito da personale autorizzato, addestrato a questo compito.

Coppie di serraggio

CP 0009	Dado bullone passante	12-14 ft.lbf (16-19 Nm)
CP 0014	Dado bullone passante	20-23 ft.lbf (27-31 Nm)

Montaggio

Quando si monta la macchina, fare attenzione a:



- ◆ Posizionare lo stantuffo di rilascio della rotazione (A) nella parte anteriore (B) prima di montare il manicotto del mandrino (C).
- ◆ Accertarsi che la scanalatura dritta sul pistone (D) si impegni con quella sul manicotto del mandrino (C), e che la scanalatura a spirale sul pistone (D) si impegni con la scanalatura a spirale dell'anello (E).
- ◆ Montare l'anello (E) nella parte anteriore (B) in modo tale che i bordi dei denti si impegnino con i nottolini (F).
- ◆ Serrare allo stesso modo i bulloni passanti per evitare che facciano da ostacolo. Dopo il serraggio, ruotare il mandrino manualmente per accertarsi che ruoti liberamente.

Immagazzinamento

- > Pulire bene la macchina prima del magazzinaggio per evitare la presenza di sostanze pericolose. Vedere “Rischi correlati alla polvere e ai fumi”
- > Versare circa 1/2 oz (5 cl) di olio direttamente nel nipplo dell'aria in ingresso, collegare la macchina all'erogazione dell'aria compressa e metterla in funzione per alcuni secondi.
- > Riporre sempre la macchina in un luogo asciutto.

Smaltimento

Una macchina usurata si deve trattare e smaltire in maniera tale che la maggior parte possibile di materiale possa essere riciclata e che eventuali influenze negative sull'ambiente vengano ridotte al minimo anche nel rispetto delle limitazioni locali.

Dati tecnici

Dati della macchina

www.CrowderSupply.com • Toll Free: 888-883-5144

Tipo	Dimensioni della bussola in. (mm)	Peso lb (kg)	Alesaggio pistone in. (mm)	Lunghezza corsa in. (mm)	Lunghezza complessiva in. (mm)	Fabbisogno di aria (6 bar) cfm (l/s)	Frequenza d'urto (6 bar) Hz (bpm)
CP 0009 A	Tondo ¾ x 3¾ (tondo 19 x 95)	8,82 (4,0)	1,25 (31,8)	1,38 (35)	14,76 (375)	19 (9)	57 (3420)
CP 0009 AC	Tondo ¾ x 3¾ (tondo 19 x 95)	8,82 (4,0)	1,25 (31,8)	1,38 (35)	14,76 (375)	19 (9)	57 (3420)
CP 0009 CS	Tondo ¾ x 3¾ (tondo 19 x 95)	10,14 (4,6)	1,25 (31,8)	1,38 (35)	14,76 (375)	19 (9)	57 (3420)
CP 0009 E	Tondo ¾ - Esagonale ⅝ x 3½ (tondo 19 - esagonale 14,7 x 89)	8,82 (4,0)	1,25 (31,8)	1,38 (35)	14,76 (375)	19 (9)	57 (3420)
CP 0009 ES	Tondo ¾ - Esagonale ⅝ x 3½ (tondo 19 - esagonale 14,7 x 89)	10,14 (4,6)	1,25 (31,8)	1,38 (35)	14,76 (375)	19 (9)	57 (3420)
CP 0009 F	scanalatura	8,82 (4,0)	1,25 (31,8)	1,38 (35)	14,76 (375)	19 (9)	57 (3420)
CP 0014 RR	Esagonale ⅞ x 3¾ (Esagonale 22 x 82,5)	14,77 (6,7)	1,87 (47,6)	1,38 (35)	18,50 (470)	47 (22)	42 (2520)
CP 0014 RRBS	Esagonale ⅞ x 3¾ (Esagonale 22 x 82,5)	15,87 (7,2)	1,87 (47,6)	1,38 (35)	18,50 (470)	47 (22)	42 (2520)

Dichiarazione in materia di rumore e vibrazioni

Livello di potenza acustica garantito **L_w** conforme ISO 3744 ai sensi della direttiva 2000/14/CE.

Livello pressione sonora **L_p** ai sensi ISO 11203.

Valore vibrazioni **A** e incertezza **B** determinata secondo ISO 20643. Vedere la tabella "Dati di rumore e vibrazioni" per i valori di A, B, ecc.

I valori qui dichiarati sono stati ottenuti mediante test di laboratorio conformi alla direttiva o agli standard indicati e non sono idonei per confronto con i valori dichiarati di altri utensili testati sulla base della stessa direttiva o standard. Tali valori dichiarati non sono adeguati all'uso nelle valutazioni dei rischi e i valori misurati nei singoli luoghi di lavoro possono essere maggiori. I valori di esposizione e i rischi effettivi per ciascun singolo operatore sono unici e dipendono dalle modalità di lavoro dell'operatore, dal materiale con il quale si utilizza la macchina, oltre che dal tempo di esposizione, dalle condizioni fisiche dell'operatore e dalle condizioni della macchina.

Atlas Copco Construction Tools AB non può essere ritenuta responsabile delle conseguenze dell'utilizzo dei valori dichiarati - invece dei valori che riflettono l'esposizione effettiva - nella singola valutazione dei rischi di uno specifico posto di lavoro, sul quale Atlas Copco Construction Tools AB non ha controllo.

Questo utensile può causare una sindrome da vibrazioni mano-braccio se non utilizzato nella maniera idonea. Una guida EU per la gestione delle vibrazioni mano-braccio è reperibile all'indirizzo <http://www.humanvibration.com/EU/VIBGUIDE.htm>

Raccomandiamo un programma di sorveglianza sanitaria per rilevare sintomi precoci che possano essere correlati con l'esposizione alle vibrazioni, in maniera tale che le procedure di gestione possano essere modificate per aiutare a prevenire invalidità future.

Dati su rumore e vibrazioni

www.CrowderSupply.com • Toll Free: 888-883-5144

Modello	Rumore		Vibrazioni	
	Valori dichiarati		Valori dichiarati	
	Pressione sonora	Potenza suono	Valori tre assi	
	ISO 11203	2000/14/CE	ISO 20643	
	Lp r=1m dB(A) rel 20µPa	Lw garantiti dB(A) rel 1pW	A media m/s ² valore	B media m/s ²
CP 0009 A (per demolizione)	-	-	20,2	2,5
CP 0009 A (per perforazione)	-	-	21,2	2,6
CP 0009 AC (per demolizione)	-	-	20,2	2,5
CP 0009 AC (per perforazione)	-	-	21,2	2,6
CP 0009 CS (per demolizione)	88	103	20,2	2,5
CP 0009 CS (per perforazione)	88	103	21,2	2,6
CP 0009 E (per demolizione)	-	-	20,2	2,5
CP 0009 E (per perforazione)	-	-	21,2	2,6
CP 0009 ES (per demolizione)	88	103	20,2	2,5
CP 0009 ES (per perforazione)	88	103	21,2	2,6
CP 0009 F (per demolizione)	-	-	20,2	2,5
CP 0009 F (per perforazione)	-	-	21,2	2,6
CP 0014 RR (per demolizione)	-	-	35,4	4,5
CP 0014 RR (per perforazione)	-	-	45,3	5,2
CP 0014 RRBS (per demolizione)	-	-	35,4	4,5
CP 0014 RRBS (per perforazione)	-	-	45,3	5,2

Dichiarazione di conformità CE

Dichiarazione di conformità CE (Direttiva CE 2006/42/CE)

Atlas Copco Construction Tools AB, con il presente documento dichiara che i macchinari elencati di seguito sono conformi ai requisiti specificati dalle Direttive CE 2006/42/CE (Direttiva macchine).

Martelli manuali a rotazione	Pmax (bar)
CP 0009 CS	6.2
CP 0009 ES	6.2

Rappresentante autorizzato Documentazione Tecnica:

Erik Sigfridsson
 Atlas Copco Construction Tools AB
 Dragonvägen 2
 Kalmar

Direttore Generale:

Erik Sigfridsson

Produttore:

Atlas Copco Construction Tools AB
 105 23 Stockholm
 Sweden

Luogo e data:

Kalmar, 2010-04-01

NEDERLANDS

Inhoud

Inleiding	www.CrowderSupply.com • Toll-Free: 888-883-5144.....	135
Over de veiligheidsvoorschriften en bedieningshandleiding		135
Veiligheidsvoorschriften		136
Veiligheidssignaaltermen.....		136
Persoonlijke voorzorgsmaatregelen en kwalificaties.....		136
Installatie, voorzorgsmaatregelen.....		136
Bediening, voorzorgsmaatregelen.....		137
Onderhoud, voorzorgsmaatregelen.....		142
Opslag, voorzorgsmaatregelen.....		142
Overzicht		143
Ontwerp en functie.....		143
Hoofdonderdelen.....		143
Stickers.....		143
Installatie		144
Uitpakken van de boor.....		144
Slangen en aansluitingen.....		144
Methoden om bevroren te voorkomen.....		145
Aansluiten van een waterafscheider.....		145
Smering.....		145
Inzetgereedschap.....		145
Bediening		149
Vorbereidingen voor de start.....		149
Starten en stoppen.....		149
Bediening.....		149
Bij een pauze.....		150
Onderhoud		150
Iedere dag.....		150
Periodiek onderhoud.....		151
Aanhaalkoppels.....		151
Monteren.....		151
Opslag		152
Opruimen		152
Technische gegevens		153
Machinegegevens.....		153
Geluids- en trillingsverklaring.....		153
Geluids- en trillingsgegevens.....		154
EG Conformiteitsverklaring		155
EG Conformiteitsverklaring (EG-richtlijn 2006/42/EG).....		155

Inleiding

Bedankt om voor producten van het merk Chicago Pneumatic te kiezen. Meer dan een eeuw staat het merk Chicago Pneumatic voor prestatie en vernieuwing in de industrie van pneumatische gereedschappen. www.crowdersupply.com Toll Free: 888-883-5144

Vandaag is het merk overal ter wereld beschikbaar voor een reeks pneumatische en hydraulische gereedschappen waaronder breekhamers, boorhamers, hakhamers, pikhamers, opruwers, pompen en nog veel meer.

Het merk Chicago Pneumatic staat voor krachtige en betrouwbare producten, eenvoudig te onderhouden en aan de juiste prijs.

Voor meer inlichtingen kunt u terecht op www.cp.com

Atlas Copco Construction Tools AB
105 23 Stockholm
Sweden

Over de veiligheidsvoorschriften en bedieningshandleiding

Het doel van de aanwijzingen is u te leren hoe u de steenboor op efficiënte en veilige wijze gebruikt. De aanwijzingen bevatten ook adviezen en informatie over de manier waarop u de steenboor regelmatig onderhoudt.

Voordat u de steenboor voor het eerst gaat gebruiken, moet u deze aanwijzingen zorgvuldig lezen en alles goed hebben begrepen.

Veiligheidsvoorschriften

Om het risico van ernstig letsel of zelfs overlijden voor uzelf of anderen te beperken, dient u deze Veiligheidsvoorschriften en bedieningshandleiding te hebben gelezen en begrepen voordat de machine installeert, in gebruik neemt, repareert, onderhoudt of accessoires van de machine vervangt.

Hang deze Veiligheidsvoorschriften en bedieningshandleiding op bij werkplekken, zorg voor kopieën voor werknemers en verzeker u ervan dat iedereen de Veiligheidsvoorschriften en bedieningshandleiding heeft gelezen alvorens de machine te gebruiken of te onderhouden.

Bovendien dient de gebruiker, of de werkgever van de gebruiker, de specifieke risico's te beoordelen, die verbonden kunnen zijn aan de desbetreffende toepassing van de machine.

Veiligheidssignaaltermen

De veiligheidssignaaltermen Gevaar, Waarschuwing en Voorzichtig hebben de volgende betekenissen:

GEVAAR	Duidt op een gevaarlijke situatie die, indien deze niet wordt vermeden, de dood of ernstig letsel tot gevolg zal hebben.
WAARSCHUWING	Duidt op een gevaarlijke situatie die, indien deze niet wordt vermeden, de dood of ernstig letsel tot gevolg kan hebben.
VOORZICHTIG	Duidt op een gevaarlijke situatie die, indien deze niet wordt vermeden, gering of middelzwaar letsel tot gevolg kan hebben.

Persoonlijke voorzorgsmaatregelen en kwalificaties

De machine mag uitsluitend worden bediend en onderhouden door hiertoe gekwalificeerde en opgeleide personen. Ze dienen fysiek in staat te zijn om de massa, het gewicht en de kracht van het gereedschap aan te kunnen. Gebruik altijd uw gezond verstand en beoordelingsvermogen.

Persoonlijke veiligheidsuitrusting

Gebruik altijd goedgekeurde beschermende uitrusting. Operators en alle andere personen binnen het werkgebied moeten beschermende uitrusting dragen, minimaal bestaand uit:

- > Gehoorbescherming
- > Slagvaste oogbescherming met zijwaartse bescherming
- > Bescherming van de luchtwegen indien van toepassing
- > Veiligheidshandschoenen
- > Geschikte veiligheidsschoenen/laarzen
- > Een geschikte werkoverall of soortgelijke kleding (niet loszittend) die uw armen en benen bedekt.

Drugs, alcohol of medicijnen

▲ WAARSCHUWING Drugs, alcohol of medicijnen

Drugs, alcohol en medicijnen kunnen uw beoordelings- en concentratievermogen beïnvloeden. Een gebrekkig reactievermogen en onjuiste beoordelingen kunnen leiden tot ernstige ongevallen of zelfs de dood.

- ▶ Gebruik de machine nooit als u vermoeid bent of onder de invloed van drugs, alcohol of medicijnen.
- ▶ Geen enkele persoon die onder de invloed is van drugs, alcohol of medicijnen mag de machine bedienen.

Installatie, voorzorgsmaatregelen

▲ GEVAAR Zwiependе lucht slang

Een perslucht slang die is losgekomen, kan rondslaan en persoonlijk letsel of de dood veroorzaken. Neem de volgende voorzorgsmaatregelen om dit risico te beperken:

- ▶ Controleer de perslucht slang en de koppelingen op beschadiging en vervang ze indien vereist.
- ▶ Controleer of alle persluchtkoppelingen goed bevestigd zijn.
- ▶ Draag pneumatische machines nooit aan de lucht slang.

- ▶ Probeer nooit een perslucht slang die onder druk staat te ontkoppelen. Zet eerst de perslucht af aan de compressor en ontluicht vervolgens de machine door de start- en stopvoorziening te bedienen.
- ▶ Richt een perslucht slang nooit op uzelf of iemand anders. Om het risico van een ongeluk te vermijden, dient u nooit perslucht te gebruiken om stof, vuil, enz., van uw kleding te verwijderen.
- ▶ Gebruik geen snelkoppelingen aan de inlaat van het gereedschap. Gebruik slangkoppelingen met schroefdraad van gehard staal (of materiaal met een vergelijkbare schokweerstand).
- ▶ Bij gebruik van universele draaikoppelingen (klauwkoppelingen) adviseren we om altijd vergrendelingspennen te monteren en veiligheidskabels (whipcheck) te gebruiken, ter bescherming tegen eventuele defecten aan de aansluiting van slang op gereedschap en van slang op slang.

▲ WAARSCHUWING **Uitgeworpen inzetgereedschap**

Als de gereedschapshouder op de machine niet in de vergrendelde stand staat, kan het inzetgereedschap met kracht worden uitgeworpen, wat persoonlijk letsel kan veroorzaken.

- ▶ Nooit de machine starten tijdens het verwisselen van het inzetgereedschap.
- ▶ Voordat u inzetgereedschappen of accessoires vervangt: zet de machine af, schakel de persluchttoevoer uit en ontluicht de machine door de start- en stopvoorziening te bedienen.
- ▶ Richt het inzetgereedschap nooit op u zelf of iemand anders.
- ▶ Zorg ervoor dat het inzetgereedschap volledig in de houder is geplaatst en dat de gereedschapshouder in de vergrendelde stand staat, voordat de machine wordt gestart.
- ▶ Controleer de vergrendelingsfunctie door het inzetgereedschap met kracht naar buiten te trekken.

▲ WAARSCHUWING **Bewegend / slippend inzetgereedschap**

Een onjuiste afmeting van de steel van het inzetgereedschap kan erin resulteren dat het inzetgereedschap verloren raakt of eruit glijdt tijdens het gebruik. Dit kan tot ernstig letsel of verbrijzelde handen en vingers.

- ▶ Controleer of het inzetgereedschap beschikt over de steellengte en de afmetingen waarvoor de machine is bedoeld.
- ▶ Gebruik nooit een inzetgereedschap zonder kraag.

Bediening, voorzorgsmaatregelen

▲ GEVAAR **Explosiegevaar**

Als warme inzetgereedschappen in contact komen met explosieven, kan dit een explosie veroorzaken. Bij werk aan bepaalde materialen en toepassing van bepaalde materialen in machineonderdelen, kunnen vonken en ontvlaming optreden. Explosies zullen leiden tot ernstig letsel of zelfs de dood.

- ▶ Gebruik de machine nooit in explosieve omgevingen.
- ▶ Gebruik de machine nooit in de nabijheid van ontvlambare materialen, gassen of stof.
- ▶ Controleer of er geen ongedetecteerde gasbronnen of explosieven zijn.
- ▶ Boor nooit in een oud gat.

▲ WAARSCHUWING **Onverwachte bewegingen**

Het inzetgereedschap wordt blootgesteld aan hevige spanningen als de machine wordt gebruikt. Het inzetgereedschap kan breken op grond van moeheid na een bepaalde gebruiksduur. Als het inzetgereedschap breekt of stuk gaat, kan er sprake zijn van een onverwachte beweging die letsel kan veroorzaken. Verder kan het verliezen van uw balans of uitglijden letsel veroorzaken.

- ▶ Zorg ervoor dat uw positie altijd stabiel is, met uw voeten zover van elkaar als uw schouders breed zijn, en houd uw lichaamsgewicht in balans.
- ▶ Altijd de apparatuur inspecteren voorafgaand aan het gebruik. Gebruik de apparatuur nooit als u vermoedt dat deze beschadigd is.
- ▶ Zorg ervoor dat de handgrepen schoon en vrij van vet en olie zijn.

- ▶ Houd uw voeten weg van het inzetgereedschap.
- ▶ Sta stevig en houd de machine altijd met beide handen vast.
- ▶ Boor nooit in een oud gat.
- ▶ Start de machine nooit als u deze op de grond gebruikt.
- ▶ Nooit op de machine “rijden” met een been over de handgreep.
- ▶ Nooit op de apparatuur slaan of deze verkeerd gebruiken.
- ▶ Controleer het inzetgereedschap regelmatig op slijtage en controleer of er tekenen zijn van schade of zichtbare barsten.
- ▶ Schenk aandacht aan en kijk naar waar u mee bezig bent.

▲ WAARSCHUWING Vastloopegevaar

Als het inzetgereedschap tijdens het gebruik vast gaat zitten, zal de hele machine gaan roteren als u uw grip verliest. Een dergelijke onverwachte rotatie van de gehele machine kan ernstig letsel of de dood veroorzaken.

- ▶ Sta stevig en houd de machine altijd met beide handen vast.
- ▶ Zorg ervoor dat de hendel/hendels schoon zijn en vrij van vet en olie.
- ▶ Boor nooit in een oud gat.

▲ WAARSCHUWING Gevaar van vastklemming

Het risico bestaat dat sierraden, haar, handschoenen en kleding vast komen te zitten in draaiende onderdelen van gereedschappen of accessoires. Dit kan resulteren in verstikking, scalpering, ernstige verwondingen of zelfs de dood. Neem de volgende voorzorgsmaatregelen om dit risico te beperken:

- ▶ Nooit een roterende boorhamer vastpakken of aanraken.
- ▶ Draag geen kleding, sierraden of handschoenen die in de machine terecht kunnen komen.
- ▶ Bedek lang haar met een haarnetje.

▲ WAARSCHUWING Gevaren van stof en damp

Stof en/of dampen, die ontwikkeld worden of vrijkomen tijdens het gebruik van de machine, kunnen ernstige en permanente ademhalingsaandoeningen, www.CrowderSupply.com • Toll Free: 888-883-5144 lichamelijke letsels veroorzaken (zoals silicose (stoflong) of andere chronische en mogelijk fatale longziekten, kanker, geboortefwijkingen en/of huidontstekingen).

Bepaalde stofdeeltjes en dampen, die geproduceerd worden bij boren, slopen, hameren, zagen, slijpen en andere bouwactiviteiten, bevatten stoffen die volgens de Staat Californië en andere overheden ziekten van de ademhalingswegen, kanker, geboortefwijkingen of andere voortplantingsstorings veroorzaken. Voorbeelden van dergelijke stoffen zijn:

- > Kristalsilicaat, cement en andere metselwerkproducten.
- > Arseniek en chroom van chemisch behandeld rubber.
- > Lood van op lood gebaseerde verfstoffen.

De in de lucht aanwezige stof en dampen kunnen met het blote oog onzichtbaar zijn. Vertrouw daarom niet op uw gezichtsvermogen om te bepalen of de lucht stof of dampen bevat.

Neem, om het gevaar van blootstelling aan stof en dampen te reduceren, de volgende voorzorgsmaatregelen:

- ▶ Voer een risicobeoordeling uit, die specifiek is voor de werkplek. Deze risicobeoordeling dient rekening te houden met stof en dampen die door de machine worden geproduceerd en met de mogelijkheid dat reeds aanwezig stof opwerfelt.
- ▶ Gebruik geschikte constructiemiddelen om de hoeveelheid stof en dampen in de lucht en stofvorming op apparatuur, oppervlakken, kleding en lichaamsdelen tot een minimum te reduceren. Voorbeelden van dergelijke middelen zijn: uitlaatventilatie en stofopvangsystemen, waterspray en nat boren. Beperk de vorming van stof en dampen zo veel mogelijk bij hun bronnen. Zorg ervoor dat zulke hulpmiddelen naar behoren worden geïnstalleerd en onderhouden.

- ▶ Draag, onderhoud en gebruik alle adembeschermingsmiddelen correct volgens de aanwijzingen van uw werkgever en de wettelijke ARBO-voorschriften. De adembeschermingsmiddelen moeten doelmatig zijn voor het stoftype in kwestie (en, indien van toepassing, zijn goedgekeurd door de desbetreffende overheidsinstantie).
- ▶ Werk in een goed geventileerde ruimte.
- ▶ Als de machine een uitlaat heeft: richt de uitlaat dusdanig dat het opwerpen van stof in stoffige omgevingen zo goed mogelijk wordt voorkomen.
- ▶ Bedien en onderhoud de machine volgens de Veiligheidsvoorschriften en bedieningshandleiding.
- ▶ Kies, onderhoud en vervang verbruiksartikelen, inzetgereedschappen en andere accessoires volgens de aanbevelingen in de Veiligheidsvoorschriften en bedieningshandleiding. Een foutieve keuze en gebrekkig onderhoud van verbruiksartikelen, inzetgereedschappen en andere accessoires, kunnen resulteren in een nodeloze toename van de hoeveelheid stof en/of dampen.
- ▶ Draag ter bescherming op de werkplek wasbare kleding of wegwerpkleding. Neem een douche en trek schone kleren aan voordat u de werkplek verlaat om blootstelling aan stof en dampen van uzelf en anderen, auto's, woningen en andere plekken te reduceren.
- ▶ Eet en drink niet en gebruik geen tabaksproducten op plaatsen waar stof of dampen aanwezig zijn.
- ▶ Was uw handen en gezicht zo snel mogelijk na het verlaten van een plaats van blootstelling en altijd voordat u eet, drinkt of tabaksproducten gebruikt en voordat u in contact komt met andere mensen.
- ▶ Neem alle toepasselijke wettelijke voorschriften en bepalingen in acht, met inbegrip van de ARBO-voorschriften.
- ▶ Neem deel aan de door uw werkgever of werknemerorganisatie georganiseerde activiteiten op het gebied van luchtbewaking, medisch onderzoek en ARBO-cursussen, in overeenstemming met de geldende gezondheids- en veiligheidsvoorschriften en -adviezen. Raadpleeg artsen met ervaring van beroepsgerelateerde geneeskunde.

- ▶ Werk samen met uw werkgever en werknemersorganisatie om de blootstelling aan stof en dampen op de werkplek tegen te gaan en de risico's hiervan te reduceren. Effectieve programma's ter bevordering van de gezondheid en veiligheid evenals procedures voor de bescherming van werknemers en anderen tegen schadelijke blootstelling aan stof en dampen, dienen te worden opgesteld en geïmplementeerd op basis van adviezen van gezondheids- en veiligheidsdeskundigen. Raadpleeg deskundigen.

▲ WAARSCHUWING Projectielen

Als werkstukken, accessoires of de machine zelf stukgaan, kan dit tot gevolg hebben dat er projectielen met hoge snelheid vrijkomen. Tijdens het gebruik kunnen splinters of andere deeltjes van het materiaal waarmee wordt gewerkt projectielen worden en persoonlijk letsel veroorzaken, doordat ze de gebruiker of andere personen raken. Neem de volgende voorzorgsmaatregelen om dit risico te beperken:

- ▶ Gebruik goedgekeurde persoonlijke beschermingsmiddelen en een veiligheidshelm, inclusief een stootvaste oogbescherming met zijdelingse bescherming.
- ▶ Zorg ervoor dat onbevoegde personen geen toegang hebben tot het werkgebied.
- ▶ Houd de werkplek vrij van vreemde voorwerpen.
- ▶ Verzeker u ervan dat werkstukken stevig en veilig bevestigd zijn.

▲ WAARSCHUWING Gevaren van splinters

Als men inzetgereedschappen gebruikt om er met de hand mee te slaan, kan dit tot gevolg hebben dat de gebruiker door splinters getroffen wordt, wat persoonlijk letsel kan veroorzaken.

- ▶ Gebruik inzetgereedschappen onder geen beding om er met de hand mee te slaan. Ze hebben een speciaal ontwerp en warmtebehandeling, die uitsluitend bedoeld zijn voor gebruik in een machine.

▲ WAARSCHUWING Gevaren van uitglijden, struikelen en vallen

Het risico van uitglijden, struikelen en vallen is aanwezig, bij voorbeeld dat men over slangen of andere voorwerpen struikelt. Uitglijden, struikelen of vallen kan persoonlijk letsel veroorzaken.

Neem de volgende voorzorgsmaatregelen om dit risico te beperken:

- ▶ Zorg er altijd voor dat er geen slangen en andere voorwerpen voor uzelf en voor anderen in de weg liggen.
- ▶ Zorg er altijd voor dat uw stabiel staat – met uw voeten zover uit elkaar als uw schouders breed zijn – en met uw lichaamsgewicht in evenwicht.

▲ WAARSCHUWING Gevaren van bewegingen

Als u de machine gebruikt voor werkgerelateerde activiteiten, kunt u ongemak ervaren in uw handen, armen, schouders, nek en andere lichaamsdelen.

- ▶ Neem een comfortabele werkhouding aan, met uw voeten in een veilige stand en vermijd ongemakkelijke houdingen uit evenwicht.
- ▶ Het wisselen van houding tijdens langdurige taken kan helpen om ongemak en vermoeidheid te voorkomen.
- ▶ Raadpleeg bij aanhoudende of herhaalde symptomen een gekwalificeerde gezondheidswerker.

▲ WAARSCHUWING Gevaren van trillingen

Normaal en correct gebruik van de machine stelt de gebruiker bloot aan trillingen. Regelmatige en frequente blootstelling aan trillingen kan letsel veroorzaken. Het kan ertoe bijdragen dat u onderhouden, die versleten zijn of niet de juiste afmetingen hebben, duurt het langer om een karwei af te maken (en wordt men dus langer blootgesteld aan trillingen) en het kan tevens resulteren in, of bijdragen aan hogere niveaus van blootstelling aan trillingen.

aandoeningen ontstaan of verergeren aan de vingers, handen, armen, polsen, schouders en/of andere zenuwen en aan de bloedtoevoer of andere lichaamsdelen van de gebruiker. Verzwakking en/of blijvend letsel of aandoeningen kunnen zich ook geleidelijk voordoen in de loop van weken, maanden of jaren. Dergelijk letsel en aandoeningen kunnen ook omvatten: schade aan de bloedsomloop, schade aan het zenuwstelsel, schade aan gewrichten evenals mogelijke schade aan andere lichaamsdelen.

Als ongevoeligheid, aanhoudend lichamelijk ongemak, brandend gevoel, stijfheid, kloppen, tintelen, pijn, onhandigheid, een verzwakte grip, verbleking van de huid of andere symptomen op welk moment dan ook optreden tijdens het bedienen van de machine of tijdens het niet bedienen van de machine: ga niet weer met de machine aan de slag, maar informeer uw werkgever en zoek medische hulp. Als men de machine blijft gebruiken nadat zich een dergelijk symptoom heeft voorgedaan, kan dit het risico verhogen dat de symptomen ernstiger en/of blijvend worden.

Gebruik en onderhoud de machine volgens de aanbevelingen in deze handleiding om nodeloze toename van trillingen te voorkomen.

De volgende aandachtspunten kunnen helpen om de blootstelling aan trillingen van de gebruiker te reduceren:

- ▶ Laat het gereedschap het werk doen. Gebruik een minimale handgrip, strokend met een degelijke controle en veilige bediening.
- ▶ Als de machine trillingsabsorberende handgrepen heeft: houd deze in een centrale positie en druk de handgrepen niet in de eindstopstanden.
- ▶ Als u het slagmechanisme hebt geactiveerd, is het enige lichamelijke contact dat u met de machine dient te hebben, via uw handen op de handgreep/handgrepen. Vermijd enig ander contact, bijv. het steunen van lichaamsdelen tegen de machine of het leunen op de machine om te proberen meer kracht te zetten. Het is ook belangrijk dat de start- en stopvoorziening niet ingeschakeld is als u het gereedschap uit het gebroken werkoppervlak verwijdert.

- ▶ Zorg ervoor dat het inzetgereedschap goed wordt onderhouden (inclusief de scherpte, als het een snijdend gereedschap is), niet versleten is en van de juiste afmeting. Bij gebruik van inzetgereedschappen die niet goed zijn onderhouden, die versleten zijn of niet de juiste afmetingen hebben, duurt het langer om een karwei af te maken (en wordt men dus langer blootgesteld aan trillingen) en het kan tevens resulteren in, of bijdragen aan hogere niveaus van blootstelling aan trillingen.
- ▶ Stop onmiddellijk met werken als de machine plotseling hevig begint te trillen. Voordat u verder werkt, moet u eerst de oorzaak van de toegenomen trilling opsporen en wegnemen.
- ▶ Het inzetgereedschap nooit vastpakken, vasthouden of aanraken zo lang u de machine gebruikt.
- ▶ Neem deel aan programma's voor gezondheidsbewaking of controle, medisch onderzoek en aan de opleidingen die u worden aangeboden door uw werkgever en als die wettelijk vereist zijn.
- ▶ Draag bij werk in een koude omgeving warme kleding en houd uw handen warm en droog.

Zie de "Geluids- en trillingsverklaring" voor de machine, met inbegrip van de vermelde trillingswaarden. Deze informatie vindt u aan het eind van de Veiligheidsvoorschriften en bedieningshandleiding.

- ◆ Zorg dat de luchtdruk is zoals aanbevolen als u de machine gebruikt. Zowel een hogere als een lagere luchtdruk kan mogelijk resulteren in hogere trillingniveaus.

▲ GEVAAR Elektrisch gevaar

De machine is niet elektrisch geïsoleerd. Als de machine in contact komt met elektriciteit, kan dat leiden tot ernstig letsel of de dood.

- ▶ De machine nooit bedienen in de buurt van een elektriciteitskabel of een andere elektriciteitsbron.
- ▶ Verzeker u ervan dat er geen sprake is van verborgen bedrading of andere elektriciteitsbronnen binnen het werkterrein.

**▲ WAARSCHUWING Gevaar van een
verborgen object**

Tijdens het gebruik kunnen verborgen kabels en buizen een gevaar vormen dat kan resulteren in ernstig letsel.

- ▶ Controleer de samenstelling van de draad voordat u aan de slag gaat.
- ▶ Kijk uit voor verborgen kabels en buizen van b.v. elektriciteit, telefoon, water, gas en riolen etc.
- ▶ Als het inzetgereedschap een verborgen object geraakt lijkt te hebben, zet de machine dan onmiddellijk af.
- ▶ Verzeker u ervan dat er geen gevaar dreigt voordat u verder gaat.

▲ WAARSCHUWING Onbedoeld starten

Als de machine per abuis wordt gestart, kan dit letsel veroorzaken.

- ▶ Houd uw handen weg van de start- en stopvoorziening totdat u gereed bent om de machine te starten.
- ▶ Leer hoe u de machine in noodgevallen uitschakelt.
- ▶ Laat de start- en stopvoorziening altijd onmiddellijk los zodra de voeding uitvalt.
- ▶ Voordat u het inzetgereedschap monteert of verwijdert: schakel eerst de luchtvoeder uit, ontlucht de machine door de start- en stopvoorziening in te drukken en ontkoppel de machine uit.

▲ WAARSCHUWING Gevaar door geluid

Hoge geluidsniveaus kunnen permanent en schadelijk gehoorverlies veroorzaken, evenals andere klachten, zoals tinnitus (rinkelen, zoemen, fluiten of gonzen in de oren). Ga als volgt te werk om de risico's te verminderen en nodeloos hoge geluidsniveaus te voorkomen:

- ▶ Een risicobeoordeling van deze gevaren en adequate voorzorgsmaatregelen zijn van essentieel belang.
- ▶ Bedien en onderhoud de machine volgens deze aanwijzingen.
- ▶ Kies, onderhoud en vervang het inzetgereedschap volgens deze aanwijzingen.
- ▶ Als de machine een geluidsdemper heeft: controleer of hij aanwezig is en in goede bedrijfsstaat verkeert.
- ▶ Draag altijd een gehoorbescherming.

- ▶ Gebruik geluiddempend materiaal om te voorkomen dat de werkstukken gaan "galmen".

Onderhoud, voorzorgsmaatregelen

**▲ WAARSCHUWING Modifieren van de
machine**

Iedere modificatie van de machine kan resulteren in lichamelijk letsel voor u zelf of anderen.

- ▶ Modificeer de machine onder geen beding. Gemodificeerde machines worden niet gedekt door de garantie of productaansprakelijkheid.
- ▶ Gebruik uitsluitend originele onderdelen, inzetgereedschappen en accessoires.
- ▶ Vervang beschadigde onderdelen onmiddellijk.
- ▶ Vervang versleten componenten op tijd.

▲ VOORZICHTIG Heet inzetgereedschap

De punt van het inzetgereedschap kan tijdens het gebruik heet en scherp worden. Aanraken kan in brand- en snijletsel resulteren.

- ▶ Raak hete inzetgereedschappen onder geen beding aan.
- ▶ Wacht tot het inzetgereedschap is afgekoeld alvorens onderhoudswerkzaamheden uit te voeren.

**▲ WAARSCHUWING Gevaren van
inzetgereedschappen**

Als de start- en stopvoorziening tijdens onderhoud of montage per abuis wordt bediend, kan dit ernstig letsel veroorzaken als de voeding is aangesloten.

- ▶ Inspecteer, reinig, monteert en verwijder inzetgereedschappen onder geen beding met aangesloten voeding.

Opslag, voorzorgsmaatregelen

- ◆ Bewaar de machine en gereedschappen op een veilige plaats, buiten het bereik van kinderen en achter slot en grendel.

Overzicht

Om het risico van ernstig letsel of overlijden voor u zelf of anderen te reduceren, dient u voordat u de machine gaat gebruiken de Veiligheidsvoorschriften te lezen, die u vindt op de voorgaande pagina's van dit handboek.

Ontwerp en functie

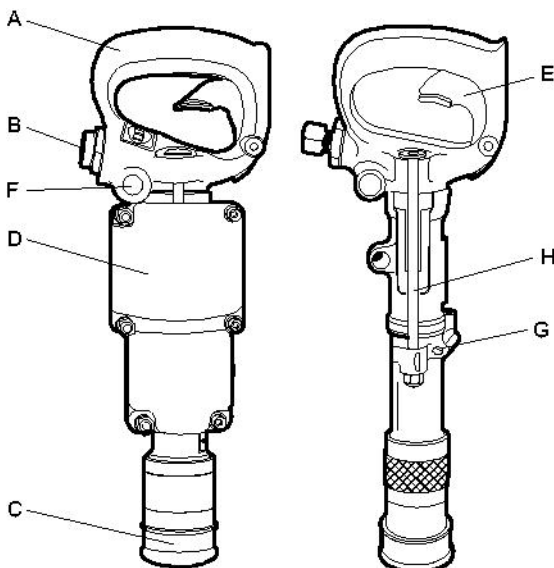
De CP 0009 en CP 0014 zijn gecombineerde boor- en sloopmachines, ontworpen voor horizontaal en verticaal gebruik.

De CP 0009 is voorzien van een snelwisselhouder en heeft een rechtse rotatie. De machine kan worden ingesteld op boren en slopen door het inzetgereedschap te vervangen of door de rotatieontkoppeling te activeren, afhankelijk van het model. Voorbeelden van gebruik zijn: boren, kappen of drijven in beton of metselwerk. Ander gebruik is niet toegestaan.

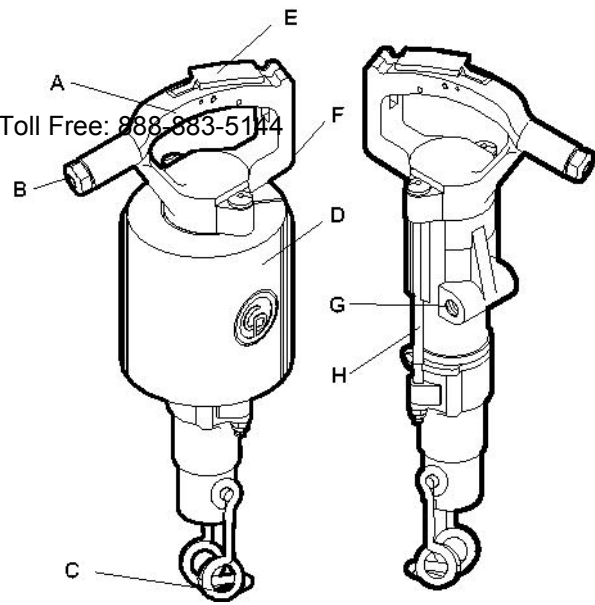
De CP 0014 is voorzien van een houder met veer en heeft een rechtse rotatie. De machine kan worden ingesteld voor boren of slopen door de rotatieontkoppeling te activeren. Voorbeelden van toepassingen als steenboor zijn: boren in graniet, kalksteen beton of metselwerk en andere soortgelijke materialen. Als hamer kan hij worden gebruikt voor het kappen of drijven in beton of metselwerk. Ander gebruik is niet toegestaan.

Zie voor de keuze van het juiste inzetgereedschap de reserveonderdelenlijst.

Hoofdonderdelen



CP 0009



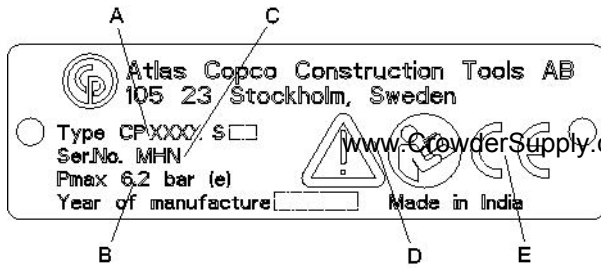
CP 0014

- A. Handgreep
- B. Luchtinlaatnippel
- C. Gereedschapshouder
- D. Geluiddemper
- E. Trekker
- F. Smeerapparaat
- G. Rotatieontkoppeling
- H. Doorlopende bout

Stickers

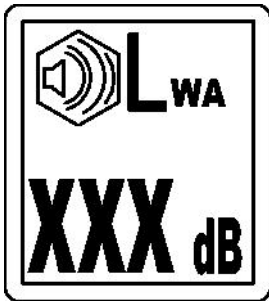
De machine is voorzien van stickers met belangrijke informatie over persoonlijke veiligheid en machineonderhoud. De stickers moeten in dusdanige staat zijn, dat ze makkelijk leesbaar zijn. Nieuwe stickers kunt u bestellen uit de reserveonderdelenlijst.

Gegevensplaatje



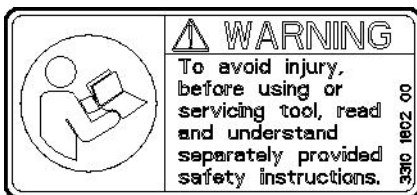
- A. Machinetype
- B. Maximaal toegestane luchtdruk
- C. Serienummer
- D. Het waarschuwingssymbool samen met het boeksymbool betekent dat de gebruiker de Veiligheidsvoorschriften en de bedieningshandleiding moet lezen voordat de machine voor het eerst wordt gebruikt.
- E. Het CE-symbool betekent dat de machine een EG-goedkeuring heeft. Zie de bij de machine geleverde EG-verklaring voor meer informatie. Als het CE-symbool ontbreekt, betekent dit dat de machine geen EG-goedkeuring heeft.

Sticker geluidsniveau



De sticker geeft aan dat de gegarandeerde geluidsniveau-indicator correspondeert met EU-richtlijn 2000/14/EG. Zie "Technische gegevens" voor het exacte geluidsniveau.

Veiligheidssticker



Om letsel te voorkomen, dient u de afzonderlijke veiligheidsvoorschriften te hebben gelezen en begrepen voordat u gereedschappen gebruikt of onderhoudt.

Installatie

Uitpakken van de boor

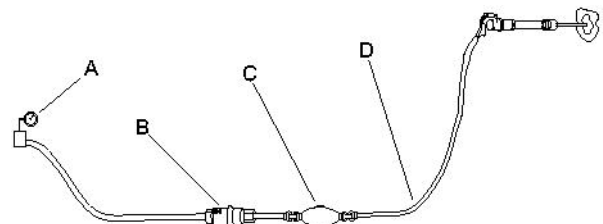
Plastic beschermingen

Voordat u de boor voor het eerst gebruikt, moet u eerst alle plastic beschermingen van de slangnippels verwijderen.

Smeren

Giet, nadat u het gereedschap hebt uitgepakt en geïnstalleerd, een royale hoeveelheid smeerolie in de luchtaansluiting.

Slangen en aansluitingen



- A. Persluchtbron
- B. Waterafscheider (optioneel)
- C. Smeerbus (optioneel)
- D. Max. 10 feet (3 meter) persluchtslang tussen de oliesmeerbus en de machine.

- ◆ Controleer of u de juiste aanbevolen werkdruk gebruikt, 87 psig (6 bar (e)).
- ◆ De maximaal toegestane luchtdruk, 90 psig (6,2 bar (e)), mag niet worden overschreden.
- ◆ Blaas eventuele onzuiverheden uit de persluchtslang voordat u hem aansluit op de machine.

- ◆ Kies de juiste afmeting en lengte voor de perslucht slang. Voor slanglengten tot 100 feet (30 meter) moet een slang met een inwendige diameter van minstens $\frac{3}{4}$ " (19 mm) worden gebruikt. Als de slanglengte tussen 100 en 330 feet (30 en 100 meter) ligt, moet een slang met een inwendige diameter van minimaal 1" (25 mm) worden gebruikt.

Methoden om bevroren te voorkomen

Ijsvorming in de geluiddemper kan ontstaan als de temperatuur van de omgevingslucht 32-50 °F (0-10°C) is en de relatieve vochtigheid hoog is.

De machine is geconstrueerd om ijsvorming in de geluiddemper te voorkomen. Desondanks kan zich onder extreme onstandigheden ijs vormen in de geluiddemper.

Om het risico van ijsvorming verder tegen te gaan, gebruikt u een waterafscheider.

Aansluiten van een waterafscheider

De lengte van de slang tussen de compressor en de waterafscheider moet zodanig zijn dat de waterdamp wordt gekoeld en condenseert in de slang voordat de waterafscheider wordt bereikt.

Als de omgevingstemperatuur lager is dan 32 °F (0 °C) moet de slang kort genoeg zijn om te voorkomen dat het water befrist voordat het de waterafscheider bereikt.

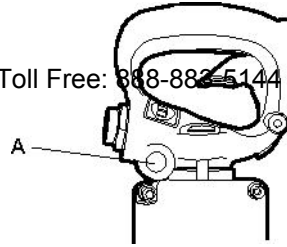
Smering

Het smeermiddel is belangrijk voor de werking van de machine en is van grote invloed op de levensduur.

Indicatie van een juiste smering zijn: de aanwezigheid van olienevel in de uitlaatlucht en zwakke oliesporen op de boor of verloopstuksteel. Overmatige smering kan startproblemen, laag vermogen of onregelmatige prestaties veroorzaken.

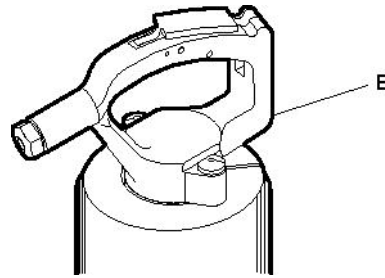
Om te zorgen voor de juiste hoeveelheid olie, dient de ingebouwde smeervoorziening regelmatig te worden gecontroleerd en gevuld. Verder wordt een luchtleidingsmeervoorziening aanbevolen om een constante en adequate toevoer van smeermiddel te waarborgen.

Aanbevolen smeermiddel: Steenboorolie met een viscositeit van 100-150 SUS bij 100°F (ISO VG 22–32).



CP 0009

Dagelijks voor het gebruik en om de vier bedrijfsuren: verwijder de plug (A), doordrenk het vilt en vul het oliereservoir met de aanbevolen olie.



CP 0014

Dagelijks voor het gebruik en om de vier bedrijfsuren: verwijder de plug (B) en vul het oliereservoir met de aanbevolen olie.

Inzetgereedschap

▲ VOORZICHTIG Heet inzetgereedschap

De punt van het inzetgereedschap kan tijdens het gebruik heet en scherp worden. Aanraken kan in brand- en snijletsel resulteren.

- ▶ Raak hete inzetgereedschappen onder geen beding aan.
- ▶ Wacht tot het inzetgereedschap is afgekoeld alvorens onderhoudswerkzaamheden uit te voeren.

Selecteren van het juiste inzetgereedschap

Het selecteren van het juiste inzetgereedschap is een voorwaarde voor een goede werking van de machine. Het is belangrijk inzetgereedschappen van hoge kwaliteit te selecteren om onnodige machineschade te vermijden.

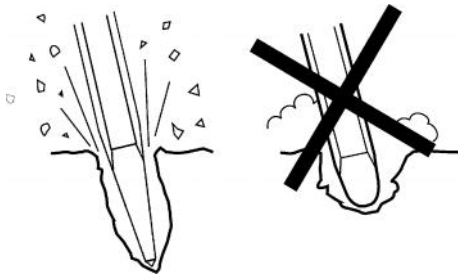
De machine kan worden vernield als u een onjuist inzetgereedschap gebruikt.

De aanbevolen inzetgereedschappen worden opgesomd in de reserveonderdelenlijst voor de machine.

▲ WAARSCHUWING Gevaar van trillingen

Het gebruiken van inzetgereedschappen die niet voldoen aan de hieronder genoemde eisen, kan ertoe leiden dat het langer duurt een karwei te voltooien en kan resulteren in hogere niveaus van blootstelling aan trillingen. Een versleten gereedschap veroorzaakt ook een langere werktijd.

- ▶ Controleer of het inzetgereedschap goed onderhouden is, niet versleten en van de juiste afmetingen.
- ▶ Gebruik altijd een scherp gereedschap om efficiënt te werken.



LET OP Koel hete inzetgereedschappen nooit af in water aangezien dit in broosheid en vroegtijdige defecten kan resulteren.

▲ WAARSCHUWING Uitgeworpen inzetgereedschap

Als de gereedschapshouder op de machine niet in de vergrendelde stand staat, kan het inzetgereedschap met kracht worden uitgeworpen, wat persoonlijk letsel kan veroorzaken.

- ▶ Zet voordat u het inzetgereedschap verwisselt de machine af, schakel de persluchttoevoer uit en ontlucht de machine door de start- en stopvoorziening te activeren.

Vóór het plaatsen van het boorstaal

Controleer of de steel van het gereedschap de juiste afmeting en lengte heeft voor de gebruikte boorhouder. De steel moet schoon zijn en het gereedschap moet in goede staat verkeren. Stelen die aan de slagzijde afgebrokkeld, rond, scheef of te hard zijn, zullen niet goed werken en voortijdige plunjerdefecten veroorzaken.

Inspecteer het boorstaal:

Een bot boorstaal heeft een ongunstige invloed op de boorsnelheid en resulteert in een te hoge spanning op het boormechanisme. Controleer als u het boorstaal wisselt of het nieuwe boorstaal de

juiste afmeting heeft voor de voorgaande booropening.

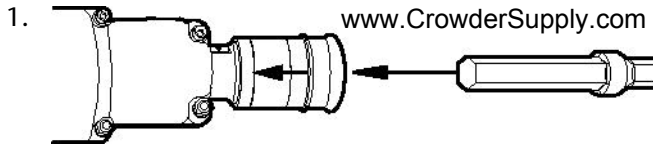
Controleer voordat u begint te boren eerst of de spoelopening in het boorstaal niet geblokkeerd is.

Als er braamvorming is rond de vier kogelsleuven in de steel van het boorstaal: polijst ze weg. Het boorstaal kan dan makkelijker worden geplaatst en verwijderd en de boorhouder kan ook makkelijker worden bediend.

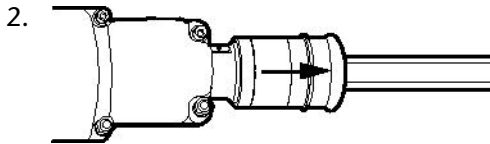
Monteren van het inzetgereedschap

Bij het plaatsen van het inzetgereedschap dient u de volgende instructies op te volgen:

CP 0009

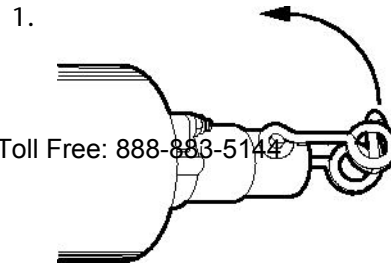


Trek de gereedschapshouder achteruit en houd hem vast in de richting van de pijl. Plaats het inzetgereedschap tegelijkertijd in de boorhouder.

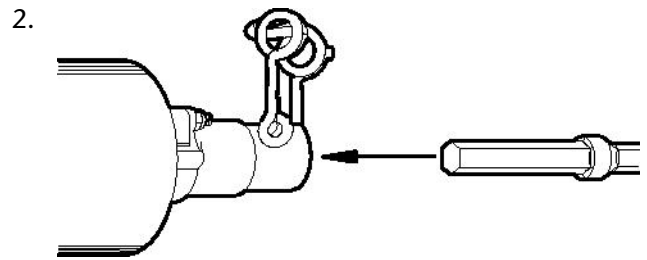


Als het inzetgereedschap onderin contact maakt, vergrendel de gereedschapshouder door hem los te zetten. Controleer de vergrendelfunctie door het inzetgereedschap met kracht naar buiten te trekken.

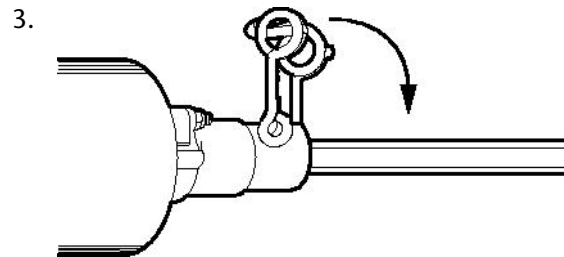
CP 0014



Druk de gereedschapshouder omhoog in de richting van de pijl.



Steek het inzetgereedschap in de boorhouder.

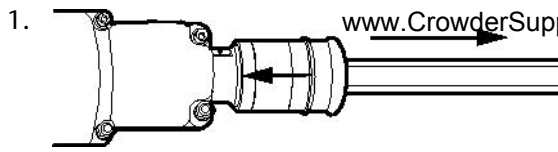


Als de boor onderin contact maakt, drukt u de gereedschapshouder terug om hem te vergrendelen.

Verwijderen van het inzetgereedschap

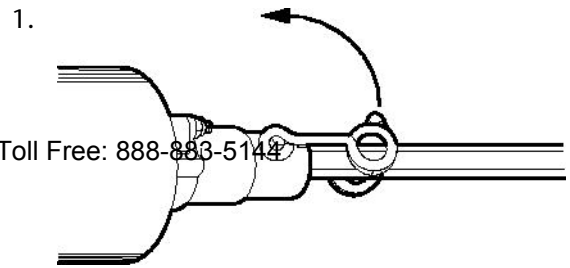
Bij het verwijderen van het inzetgereedschap dient u de volgende instructies op te volgen:

CP 0009

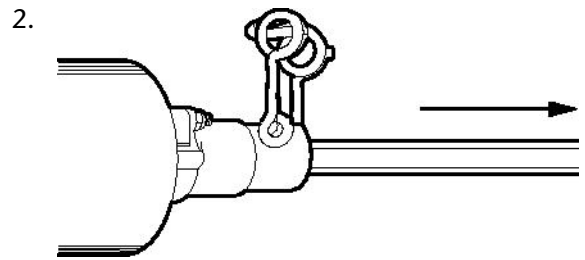


Trek de gereedschapshouder achteruit en houd hem vast in de richting van de pijl. Verwijder het inzetgereedschap tegelijkertijd door het naar buiten te trekken.

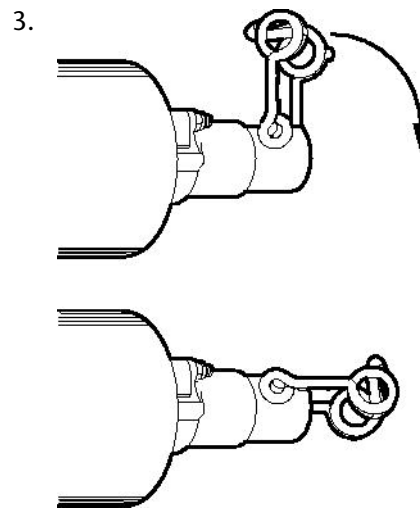
CP 0014



Druk de gereedschapshouder omhoog in de richting van de pijl.



Trek het inzetgereedschap uit.



Duw de gereedschapshouder terug.

Bediening

Vorbereidingen voor de start

www.CrowderSupply.com • Toll Free: 888-883-5144

Controleer de apparatuur

- ◆ Controleer of de apparatuur in goede staat verkeert.
- ◆ Controleer of het slagoppervlak van de steel van het inzetgereedschap vlak is en geen tekenen van slijtage vertoont.
- ◆ Controleer of de luchtinlaat- en uitlaatpoorten vrij zijn van obstakels.
- ◆ Controleer of de spoelopening in het boorstaal niet geblokkeerd is en of de spoellucht er onbelemmerd doorheen stroomt.
- ◆ Controleer of de bevestigingen dicht zijn en niet lekken.

▲ GEVAAR Zwiepende luchtslang

Als een persluchtslang loskomt, kan hij rond gaan zwiepen en persoonlijk letsel of de dood veroorzaken.

- ▶ Controleer of de persluchtslang en de koppelingen niet beschadigd zijn.
- ▶ Controleer of alle persluchtkoppelingen goed bevestigd zijn.

Doorblazen van de luchtslang

- ◆ Blaas iedere dag, voordat u de boor gebruikt, de luchtslang door om het hier aanwezige vuil en vocht te verwijderen.

Vul het smeerapparaat met olie

- ◆ Controleer of de boorhouder en de steel van het boorstaal altijd zijn bedekt met een laagje olie.

Starten en stoppen

▲ WAARSCHUWING Onbedoeld starten

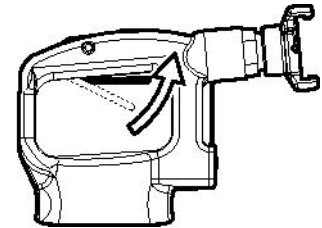
Als de machine per abuis wordt gestart, kan dit letsel veroorzaken.

- ▶ Houd uw handen weg van de start- en stopvoorziening totdat u gereed bent om de machine te starten.
- ▶ Leer hoe u de machine in noodgevallen uitschakelt.
- ▶ Zet de machine altijd onmiddellijk uit als de voeding uitvalt.

Starten en stoppen

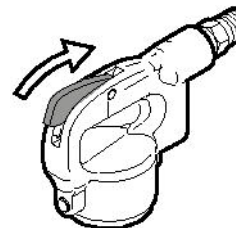


CP 0014

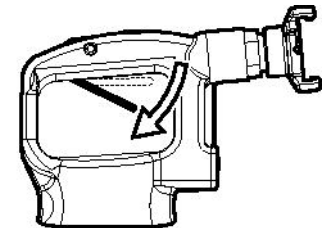


CP 0009

Start de machine door de trekker in te knijpen terwijl u de handgreep stevig vasthoudt.



CP 0014



CP 0009

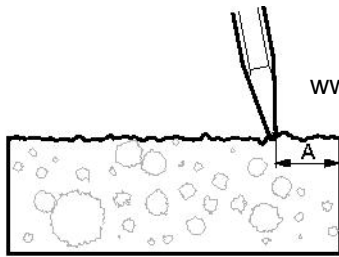
Stop de machine door de trekker los te laten. De trekker gaat automatisch terug naar de stopstand.

Bediening

Maken van de eerste snede

- ◆ Ga in een stabiele positie staan, met uw voeten uit de buurt van het inzetgereedschap.
- ◆ Druk de machine tegen het werkoppervlak voordat u begint.
- ◆ Zet aan en begin te blikken op een zodanige afstand van de rand dat de machine het materiaal zonder hefboomkracht kan breken.

- ◆ Nooit proberen te grote stukken af te bikken. Stel de breekafstand (A) zo af dat het inzetgereedschap niet vast gaat zitten.



www.CrowderSupply.com • Toll Free: 888-883-5144

Slopen en boren

- ◆ Draag veiligheidsschoenen, handschoenen, helm, gehoorbeschermingen en een slagvaste oogbescherming met zijdelingse bescherming.
 - ◆ Vermijd werk aan buitensporig harde materialen, zoals graniet en betonstaal (wapingsijzer) die krachtige trillingen kunnen veroorzaken.
 - ◆ Controleer regelmatig of de machine goed wordt gesmeerd.
 - ◆ Als de machine is opgeheven, mag de trekker niet worden bediend.
 - ◆ Vermijd alle vormen van stationair draaien, werken zonder inzetgereedschap of werken met opgetilde machine.
 - ◆ Sta stevig en houd de machine altijd met beide handen vast.
 - ◆ Houd het inzetgereedschap stevig tegen het werkoppervlak aan voordat u de machine start.
 - ◆ Laat de machine het werk doen; druk niet te hard.
- ◆ Reinig de machine voordat u begint met onderhoud, om blootstelling aan gevaarlijke stoffen te voorkomen. Zie: "Gevaren van stof en damp"
 - ◆ Gebruik alleen originele onderdelen. Schade of defecten die veroorzaakt zijn door het gebruik van niet-originele onderdelen, worden niet gedekt door onze garantie of productaansprakelijkheid.
 - ◆ Neem voor het reinigen van mechanische onderdelen met oplosmiddelen de toepasselijke gezondheids- en veiligheidsbepalingen in acht en controleer of er voldoende ventilatie is.
 - ◆ Voor grote servicewerkzaamheden aan de machine, neemt u contact op met de dichtstbijzijnde erkende werkplaats.
 - ◆ Controleer na servicewerkzaamheden altijd of het trillingsniveau van de machine normaal is. Neem contact op met uw plaatselijke erkende werkplaats als dit niet het geval is.

Bij een pauze

- ◆ Tijdens pauzes moet u de machine altijd op een plaats leggen waar geen risico bestaat dat hij per abuis wordt gestart.
- ◆ Neem de volgende voorzorgsmaatregelen bij langere pauzes of als u de werkplek verlaat: Zet de voeding af en ontlucht de machine vervolgens door de start- en stopvoorziening te bedienen.

Onderhoud

Regelmatig onderhoud is een basisvereiste voor een blijvend veilig en doelmatig gebruik van de machine. Volg de onderhoudsaanwijzingen zorgvuldig.

Iedere dag

Voordat u bij pneumatische machines begint met onderhoud of vervanging van inzetgereedschappen, dient u altijd eerst de luchttoevoer uit te schakelen en de machine te ontluchten door op start- en stopinrichting in te drukken. Maak vervolgens de luchtslang los van de machine.

- ◆ Reinig en inspecteer de machine en zijn functies dagelijks voor aanvang van het werk.
- ◆ Verricht een algemene inspectie op lekkage en schade.
- ◆ Controleer of de luchtinlaatnippel is aangehaald en of de klauwkoppeling intact is.
- ◆ Controleer de werking van de houder. Controleer of hij het inzetgereedschap vergrendelt.
- ◆ Vervang beschadigde onderdelen onmiddellijk.
- ◆ Vervang versleten componenten op tijd.
- ◆ Controleer de doorlopende bouten van de machine. Controleer of ze goed zijn aangehaald.
- ◆ Als de machine een geluiddemper heeft: controleer hem op slijtage.

Periodiek onderhoud

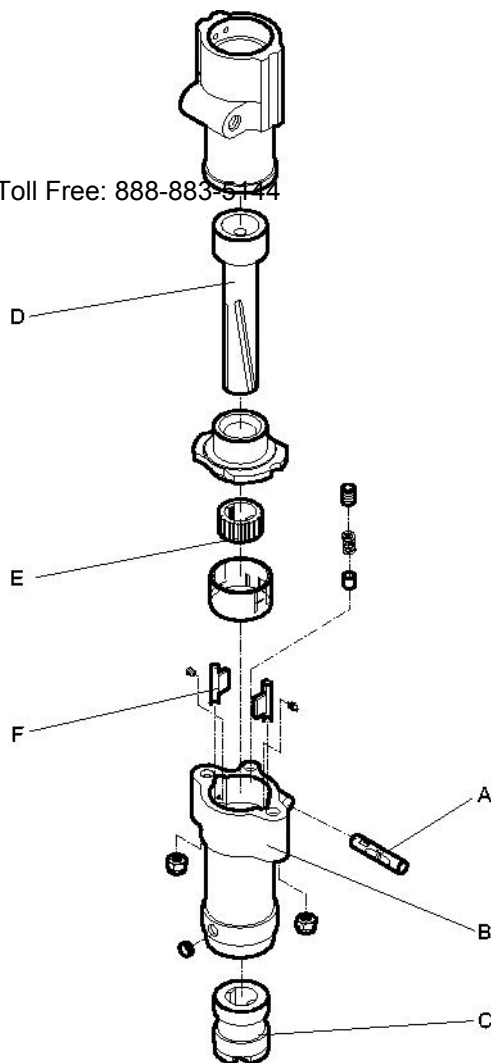
Na iedere gebruiksperiode van ongeveer 100 werkuren of drie keer per jaar moet de machine worden ontmanteld en moeten alle onderdelen worden gereinigd en gecontroleerd. Dit werk moet worden uitgevoerd door bevoegd personeel dat is opgeleid voor deze taak.

Aanhaalkoppels

CP 0009	Moer doorlopende bout	12-14 ft.lbf (16-19 Nm)
CP 0014	Moer doorlopende bout	20-23 ft.lbf (27-31 Nm)

Monteren

Houd bij het monteren van de machine de volgende aandachtspunten in het oog:



- ◆ Plaats de omzetplunjer van de rotatieontkoppeling (A) in het voorstuk (B) voordat u de boorhouderbus (C) monteert.
- ◆ Zorg ervoor dat de rechte spie op de zuiger (D) de rechte spie op de boorhouderbus (C) grijpt en dat de spiraalvormige spie op de zuiger (D) de spiraalvormige spie op de ratelring (E) grijpt.
- ◆ Monteer de ratelring (E) in het voorstuk (B), zodat de vlakken van de rateltanden het uiteinde van de pallen (F) grijpen.
- ◆ Haal de doorlopende bouten gelijkmatig aan om vastlopen te voorkomen. Draai de boorhouder na het aanhalen met de hand rond om er zeker van te zijn dat de rotatie niet wordt belemmerd.

Opslag

- > Reinig de machine grondig voordat u hem opbergt om blootstelling aan gevaarlijke stoffen te vermijden. Zie: “Gevaren van stof en damp”
- > Giet ongeveer 1/2 oz (5 cl) olie direct in de luchtinlaatnippel, sluit de machine aan op de perslucht en start hem een paar seconden.
- > Sla de machine altijd op een droge plaats op.

Opruimen

Een verbruikte machine moet dusdanig worden verwerkt en verwijderd dat het grootst mogelijke deel van het materiaal kan worden gerecycled, dat negatieve effecten op het milieu tot een minimum worden beperkt en met inachtneming van plaatselijke restricties.

Technische gegevens

Machinegegevens

www.CrowderSupply.com • Toll Free: 888-883-5144

Type	Steeleafmeting in. (mm)	Gewicht lb (kg)	Plunjer- boring in. (mm)	Slag- lengte in. (mm)	Totale lengte in. (mm)	Luchtverbruik (6 bar) cfm (l/s)	Slag- frequentie (6 bar) Hz (bpm)
CP 0009 A	Rond ¾ x ¾ (Rond 19 x 95)	8,82 (4,0)	1,25 (31,8)	1,38 (35)	14,76 (375)	19 (9)	57 (3420)
CP 0009 AC	Rond ¾ x ¾ (Rond 19 x 95)	8,82 (4,0)	1,25 (31,8)	1,38 (35)	14,76 (375)	19 (9)	57 (3420)
CP 0009 CS	Rond ¾ x ¾ (Rond 19 x 95)	10,14 (4,6)	1,25 (31,8)	1,38 (35)	14,76 (375)	19 (9)	57 (3420)
CP 0009 E	Rond ¾ - Zeskant ⅞ x 3½ (Rond 19 - Zeskant 14,7 x 89)	8,82 (4,0)	1,25 (31,8)	1,38 (35)	14,76 (375)	19 (9)	57 (3420)
CP 0009 ES	Rond ¾ - Zeskant ⅞ x 3½ (Rond 19 - Zeskant 14,7 x 89)	10,14 (4,6)	1,25 (31,8)	1,38 (35)	14,76 (375)	19 (9)	57 (3420)
CP 0009 F	spie	8,82 (4,0)	1,25 (31,8)	1,38 (35)	14,76 (375)	19 (9)	57 (3420)
CP 0014 RR	Zeskant ⅞ x ¾ (zeskant 22 x 82,5)	14,77 (6,7)	1,87 (47,6)	1,38 (35)	18,50 (470)	47 (22)	42 (2520)
CP 0014 RRBS	Zeskant ⅞ x ¾ (zeskant 22 x 82,5)	15,87 (7,2)	1,87 (47,6)	1,38 (35)	18,50 (470)	47 (22)	42 (2520)

Geluids- en trillingsverklaring

Gegarandeerd geluidsvermogensniveau **L_w** conform ISO 3744 in overeenstemming met richtlijn 2000/14/EG.
Geluidsdrukniveau **L_p** volgens ISO 11203.

Trillingswaarde **A** en onzekerheid **B** bepaald volgens ISO 20643. Zie de tabel "Geluids- en trillingsgegevens" voor de waarden van A, B, enz.

Deze verklaarde waarden zijn verkregen d.m.v. een laboratoriumtest overeenkomstig de vermelde richtlijn of normen en ze zijn geschikt voor een vergelijking met de verklaarde waarden van andere gereedschappen die zijn getest overeenkomstig dezelfde richtlijn of normen. Deze verklaarde waarden zijn niet geschikt voor gebruik bij risicobeoordelingen en de waarden die worden opgemeten op individuele werkplekken kunnen hoger zijn. De werkelijke blootstellingswaarden en het risico van letsel zoals ervaren door een individuele gebruiker, zijn uniek en afhankelijk van de manier waarop de gebruiker werkt, in welk materiaal de machine wordt gebruikt, en ook van de blootstellingstijd, de fysieke conditie van de gebruiker en de conditie van de machine.

Wij, Atlas Copco Construction Tolls AB, kunnen niet aansprakelijk worden gesteld voor de gevolgen van het gebruik van de verklaarde waarden in plaats van de waarden die de werkelijke blootstelling weerspiegelen, in een individuele risicobeoordeling in een werkplaatssituatie waarover we geen controle hebben.

Dit gereedschap kan een trillingssyndroom in handen en armen veroorzaken als het gebruik ervan niet adequaat wordt geregeld. Een handleiding van de EU voor het beheer van hand-arm-trillingen is beschikbaar op: <http://www.humanvibration.com/EU/VIBGUIDE.htm>

Wij bevelen de implementatie van een gezondheidscontroleprogramma aan om in een vroegtijdig stadium symptomen te kunnen ontdekken, die mogelijk gerelateerd zijn aan de blootstelling aan trillingen, zodat de beheersprocedures ter preventie van toekomstige stoornissen kunnen worden aangepast.

Geluids- en trillingsgegevens

Model	Geluid		Trilling	
	Verklaarde waarden		Verklaarde waarden	
	Geluidsdruk	Geluidsvermogen	Waarden drie assen	
	ISO 11203	2000/14/EG	ISO 20643	
	Lp r=1m dB(A) rel 20µPa	Lw gegarandeerd dB(A) rel 1pW	A m/s ² waarde	B m/s ² reikwijdten
CP 0009 A (voor slopen)	-	-	20,2	2,5
CP 0009 A (voor boren)	-	-	21,2	2,6
CP 0009 AC (voor slopen)	-	-	20,2	2,5
CP 0009 AC (voor boren)	-	-	21,2	2,6
CP 0009 CS (voor slopen)	88	103	20,2	2,5
CP 0009 CS (voor boren)	88	103	21,2	2,6
CP 0009 E (voor slopen)	-	-	20,2	2,5
CP 0009 E (voor boren)	-	-	21,2	2,6
CP 0009 ES (voor slopen)	88	103	20,2	2,5
CP 0009 ES (voor boren)	88	103	21,2	2,6
CP 0009 F (voor slopen)	-	-	20,2	2,5
CP 0009 F (voor boren)	-	-	21,2	2,6
CP 0014 RR (voor slopen)	-	-	35,4	4,5
CP 0014 RR (voor boren)	-	-	45,3	5,2
CP 0014 RRBS (voor slopen)	-	-	35,4	4,5
CP 0014 RRBS (voor boren)	-	-	45,3	5,2

EG Conformiteitsverklaring

EG Conformiteitsverklaring (EG-richtlijn 2006/42/EG)

Wij, Atlas Copco Construction Tools AB, verklaren hierbij onder geheel eigen verantwoordelijkheid dat de hieronder vermelde machines in overeenstemming zijn met de eisen van de richtlijnen 2006/42/EG (Machinerichtlijn).

Handbediende klopbooren	Pmax (bar)
CP 0009 CS	6.2
CP 0009 ES	6.2

Gemachtigde vertegenwoordiger technische documentatie:

Erik Sigfridsson
Atlas Copco Construction Tools AB
Dragonvägen 2
Kalmar

Algemeen directeur:

Erik Sigfridsson

Producent:

Atlas Copco Construction Tools AB
105 23 Stockholm
Sweden

Plaats en datum:

Kalmar, 2010-04-01

ΕΛΛΗΝΙΚΑ

Περιεχόμενα

Εισαγωγή..... www.CrowderSupply.com • Toll-Free: 888-883-5144.....	157
Σχετικά με τις Οδηγίες Ασφάλειας και Χειρισμού.....	157
Οδηγίες ασφαλείας.....	158
Λέξεις σημάτων ασφαλείας.....	158
Προσωπικές προφυλάξεις και πιστοποιήσεις.....	158
Εγκατάσταση, προφυλάξεις.....	159
Λειτουργία, προφυλάξεις.....	160
Συντήρηση, προφυλάξεις.....	164
Αποθήκευση, προφυλάξεις.....	165
Επισκόπηση.....	166
Σχεδιασμός και λειτουργία.....	166
Κύρια μέρη.....	166
Ετικέτες.....	167
Εγκατάσταση.....	167
Αφαίρεση συσκευασίας τρυπανιού.....	167
Εύκαμπτοι σωλήνες και συνδέσεις.....	167
Μέθοδοι αποφυγής παγώματος.....	168
Σύνδεση διαχωριστή νερού.....	168
Λίπανση.....	168
Εργαλείο εισαγωγής.....	169
Χειρισμός.....	172
Προετοιμασίες πριν ξεκινήσετε.....	172
Εκκίνηση και τερματισμός λειτουργίας.....	172
Χειρισμός.....	173
Όταν κάνετε διάλειμμα.....	173
Συντήρηση.....	173
Κάθε ημέρα.....	173
Περιοδική συντήρηση.....	174
Ροπές σύσφιξης.....	174
Συναρμολόγηση.....	174
Αποθήκευση.....	175
Απόρριψη.....	175
Τεχνικά δεδομένα.....	176
Δεδομένα μηχανήματος.....	176
Δήλωση εκπομπών θορύβου και κραδασμών.....	176
Δεδομένα θορύβου και κραδασμών.....	177
Δήλωση Συμμόρφωσης της ΕΚ.....	178
Δήλωση Συμμόρφωσης της ΕΚ (Οδηγία ΕΚ 2006/42/ΕΚ).....	178

Εισαγωγή

Ευχαριστούμε που επιλέξατε τα προϊόντα της Chicago Pneumatic. Για πάνω από έναν αιώνα, η Chicago Pneumatic αντιπροσωπεύει απόδοση και καινοτομία στη βιομηχανία των εργαλείων. www.crowder-supply.com • Toll Free: 888-883-5144

Σήμερα, η Chicago Pneumatic είναι μια πολυεθνική εταιρεία η οποία προσφέρει μια ευρεία γκάμα πνευματικών και υδραυλικών εργαλείων, όπως θραυστήρες, γεωτρήματα, ματσακόνια, εκσκαφείς, σπαστήρες, λιθόσφυρες, αντλίες και πολλά άλλα.

Η Chicago Pneumatic είναι συνδεδεμένη με ισχυρά και αξιόπιστα προϊόντα, τα οποία χαρακτηρίζονται από την ευκολία συντήρησης και αντιπροσωπεύουν καλή επένδυση χρημάτων.

Για περαιτέρω πληροφορίες, παρακαλούμε επισκεφθείτε τον ιστότοπο: www.cp.com

Atlas Copco Construction Tools AB
105 23 Stockholm
Sweden (Σουηδία)

Σχετικά με τις Οδηγίες Ασφάλειας και Χειρισμού

Σκοπός των οδηγιών είναι να σας προσφέρουν τις γνώσεις που απαιτούνται για το χειρισμό του διατηρητικού πετρωμάτων με αποτελεσματικό και ασφαλή τρόπο. Οι οδηγίες παρέχουν επίσης συμβουλές και περιγράφουν τη διαδικασία εκτέλεσης τακτικής συντήρησης στο διατηρητικό πετρωμάτων.

Πριν χρησιμοποιήσετε το διατηρητικό πετρωμάτων για πρώτη φορά πρέπει να διαβάσετε αυτές τις οδηγίες με προσοχή και να τις κατανοήσετε πλήρως.

Οδηγίες ασφαλείας

Προς ελαχιστοποίηση του κινδύνου σοβαρού τραυματισμού ή θανάτου στον εαυτό σας ή άλλους, φροντίστε να διαβάσετε και να κατανοήσετε τις Οδηγίες ασφαλείας και χειρισμού πριν από την εγκατάσταση, λειτουργία, επισκευή, συντήρηση ή αλλαγή παρελκόμενων στο μηχάνημα.

Αναρτήστε αυτό το έντυπο Οδηγιών ασφαλείας και χειρισμού στους χώρους εργασίας, διανείμετε αντίγραφα του στους εργαζόμενους και φροντίστε ώστε να διαβάσουν όλοι αυτές τις Οδηγίες ασφαλείας και χειρισμού πριν από τη χρήση ή τη διενέργεια σέρβις στο μηχάνημα.

Επιπλέον, ο χειριστής ή ο εργοδότης του χειριστή θα πρέπει να προβαίνει σε αξιολόγηση των ειδικών κινδύνων που ενδέχεται να ενέχονται ως αποτέλεσμα της κάθε χρήσης του μηχανήματος.

Λέξεις σημάτων ασφαλείας

Οι λέξεις σημάτων ασφαλείας «Danger» (Κίνδυνος), «Warning» (Προειδοποίηση) και «Caution» (Προσοχή) έχουν την ακόλουθη σημασία:

ΚΙΝΔΥΝΟΣ

Υποδεικνύει μια επικίνδυνη κατάσταση που εάν δεν αποφευχθεί, θα προκαλέσει σοβαρού βαθμού ή θανατηφόρο τραυματισμό.

ΠΡΟΕΙΔΟΠΟΙΗΣΗ

Υποδεικνύει μια επικίνδυνη κατάσταση που εάν δεν αποφευχθεί, μπορεί να προκαλέσει σοβαρού βαθμού ή θανατηφόρο τραυματισμό.

ΠΡΟΣΟΧΗ

Υποδεικνύει μια επικίνδυνη κατάσταση που εάν δεν αποφευχθεί, μπορεί να προκαλέσει ελαφρού ή μετρίου βαθμού τραυματισμό.

Προσωπικές προφυλάξεις και πιστοποιήσεις

Ο χειρισμός και η συντήρηση του μηχανήματος πρέπει να διενεργείται μόνον από εξουσιοδοτημένο και εκπαιδευμένο προσωπικό. Πρέπει να διαθέτουν κατάλληλη σωματική ικανότητα προς χειρισμό του όγκου, του βάρους και της ισχύος του εργαλείου. Να χρησιμοποιείτε πάντα κοινή λογική και καλή κρίση.

Ατομικός προστατευτικός εξοπλισμός

Να χρησιμοποιείτε πάντοτε εγκεκριμένο προστατευτικό εξοπλισμό. Οι χειριστές και όλα τα άλλα άτομα που βρίσκονται στο χώρο εργασίας πρέπει να φορούν προστατευτικό εξοπλισμό που να πληροί τις ακόλουθες απαιτήσεις:

- > Προστατευτικό κράνος
- > Ωτοασπίδες
- > Προστατευτικά γυαλιά ανθεκτικά στην κρούση με πλευρική προστασία
- > Συσκευή προστασίας της αναπνοής, όταν χρειάζεται
- > Προστατευτικά γάντια
- > Κατάλληλες προστατευτικές μπότες
- > Κατάλληλη φόρμα εργασίας ή παρόμοιο ένδυμα (με σφικτή εφαρμογή στο σώμα) που να καλύπτει τα χέρια και τα πόδια.

Ναρκωτικά, αλκοόλ, φάρμακα

▲ ΠΡΟΕΙΔΟΠΟΙΗΣΗ Ναρκωτικά, αλκοόλ, φάρμακα

Τα ναρκωτικά, το αλκοόλ και τα φάρμακα μπορεί να επηρεάσουν αντίξοα την κρίση σας και την ικανότητα συγκέντρωσης. Κακές αντιδράσεις και λανθασμένες εκτιμήσεις μπορούν να οδηγήσουν σε σοβαρά ατυχήματα ή θάνατο.

- ▶ Μη χρησιμοποιείτε ποτέ το μηχάνημα εάν είστε κουρασμένοι ή υπό την επήρεια ναρκωτικών, αλκοόλ ή φαρμάκων.
- ▶ Δεν επιτρέπεται ο χειρισμός του μηχανήματος από άτομα που βρίσκονται υπό την επήρεια ναρκωτικών, αλκοόλ ή φαρμάκων.

Εγκατάσταση, προφυλάξεις

▲ ΚΙΝΔΥΝΟΣ Ανεξέλεγκτες κινήσεις του εύκαμπτου σωλήνα

Εάν ένας εύκαμπτος σωλήνας πετρεσιμένου αέρα αποσυνδεθεί ενώ βρίσκεται υπό πίεση, είναι δυνατόν να κινηθεί με μεγάλη ταχύτητα και δύναμη και να προκαλέσει σοβαρό τραυματισμό ή θάνατο. Για να ελαχιστοποιήσετε αυτόν τον κίνδυνο:

- ▶ Βεβαιωθείτε ότι ο εύκαμπτος σωλήνας πετρεσιμένου αέρα και οι συνδέσεις δεν έχουν υποστεί ζημία, φροντίστε για την αντικατάστασή τους εάν απαιτείται.
- ▶ Βεβαιωθείτε ότι όλες οι συνδέσεις πετρεσιμένου αέρα είναι κατάλληλα προσαρμοσμένες.
- ▶ Μην μεταφέρετε ποτέ ένα πνευματικό μηχάνημα συγκρατώντας το από τον εύκαμπτο σωλήνα αέρα.
- ▶ Μην επιχειρήσετε ποτέ να αποσυνδέσετε έναν εύκαμπτο σωλήνα πετρεσιμένου αέρα όταν βρίσκεται υπό πίεση. Πρώτα διακόψτε την παροχή πετρεσιμένου αέρα στο συμπιεστή και στη συνέχεια εξαερώστε το μηχάνημα ενεργοποιώντας τη διάταξη εκκίνησης/διακοπής της λειτουργίας.
- ▶ Μην στρέφετε ποτέ έναν εύκαμπτο σωλήνα πετρεσιμένου αέρα προς το σώμα σας ή προς την κατεύθυνση άλλου ατόμου. Για να αποφύγετε τον κίνδυνο τραυματισμού, μην χρησιμοποιείτε ποτέ πετρεσιμένο αέρα για να απομακρύνετε ακαθαρσίες, σκόνη κ.λ.π. από τα ρούχα σας.
- ▶ Μην χρησιμοποιείτε ζεύξεις ταχείας αποσύνδεσης στην εισαγωγή του εργαλείου. Να χρησιμοποιείτε εξαρτήματα με σπείρωμα στερέωσης εύκαμπτου σωλήνα από σκληρυμένο χάλυβα (ή υλικό με συγκρίσιμη αντοχή στις κρούσεις).
- ▶ Όταν χρησιμοποιείτε ζεύξεις συστροφής (ζεύξεις με σιαγόνες), συνιστάται η τοποθέτηση πείρων ασφάλισης και η χρήση καλωδίων ασφαλείας για τον έλεγχο ανεξέλεγκτων κινήσεων ώστε να παρέχεται προστασία σε περίπτωση αστοχίας των συνδέσεων μεταξύ εύκαμπτου σωλήνα και εργαλείου όπως και μεταξύ τμημάτων εύκαμπτου σωλήνα.

▲ ΠΡΟΕΙΔΟΠΟΙΗΣΗ Εκτίναξη εργαλείου εισαγωγής

Εάν ο συγκρατητήρας του εργαλείου στο μηχάνημα δεν είναι στη θέση ασφάλισης, το εργαλείο είναι δυνατόν να εκτιναχτεί με δύναμη και να προκαλέσει τραυματισμό. Για να αποφύγετε αυτόν τον κίνδυνο:

- ▶ Μην θέτετε ποτέ το μηχάνημα σε λειτουργία, ενώ πραγματοποιείτε αλλαγή του εργαλείου εισαγωγής.
- ▶ Πριν από την αλλαγή του εργαλείου εισαγωγής ή των παρελκόμενων, διακόψτε τη λειτουργία του μηχανήματος, διακόψτε την παροχή ισχύος και εξαερώστε το μηχάνημα ενεργοποιώντας τη διάταξη εκκίνησης/διακοπής της λειτουργίας.
- ▶ Μην στρέφετε ποτέ το εργαλείο εισαγωγής προς το σώμα σας ή προς την κατεύθυνση άλλου ατόμου.
- ▶ Να ελέγχετε εάν το εργαλείο έχει εισαχθεί πλήρως και ο συγκρατητήρας του εργαλείου είναι στη θέση ασφάλισης πριν θέσετε το μηχάνημα σε λειτουργία.
- ▶ Να ελέγχετε τη λειτουργία ασφάλισης τραβώντας το τοποθετημένο εργαλείο απότομα προς τα έξω.

▲ ΠΡΟΕΙΔΟΠΟΙΗΣΗ Μετακινούμενο ή ολισθαίνον εργαλείο εισαγωγής

Εάν οι διαστάσεις του στελέχους του εργαλείου εισαγωγής δεν είναι κατάλληλες, μπορεί το εργαλείο εισαγωγής να χαθεί ή να γλιστρήσει και να βγει κατά τη λειτουργία. Υπάρχει κίνδυνος σοβαρού τραυματισμού ή σύνθλιψης των χεριών και των δακτύλων.

- ▶ Να βεβαιώνετε ότι το εργαλείο εισαγωγής έχει μήκος στελέχους και διαστάσεις που αντιστοιχούν στο μηχάνημα.
- ▶ Μην χρησιμοποιείτε ποτέ ένα εργαλείο εισαγωγής χωρίς κολάρο.

Λειτουργία, προφυλάξεις

▲ ΚΙΝΔΥΝΟΣ Κίνδυνος έκρηξης

Εάν ένα θερμό εργαλείο εισαγωγής έλθει σε επαφή με εκρηκτικά, ενδέχεται να προκληθεί έκρηξη. Όταν εργάζεστε με συγκεκριμένα υλικά και χρησιμοποιείτε εξαρτήματα μηχανήματος κατασκευασμένα από ορισμένα υλικά, ενδέχεται να προκληθούν σπινθήρες και ανάφλεξη. Οι εκρήξεις μπορούν να προκαλέσουν σοβαρό τραυματισμό ή θάνατο.

- ▶ Μη χειρίζεστε ποτέ το μηχάνημα σε εκρήξιμο περιβάλλον.
- ▶ Μην χρησιμοποιείτε ποτέ το μηχάνημα κοντά σε εύφλεκτα υλικά, αναθυμιάσεις ή σκόνη.
- ▶ Να βεβαιώνετε ότι δεν υπάρχουν αέρια ή εκρηκτικά άγνωστης προέλευσης.
- ▶ Μην διενεργείτε ποτέ διάτρηση σε παλαιά οπή.

▲ ΠΡΟΕΙΔΟΠΟΙΗΣΗ Μη αναμενόμενες κινήσεις

Το εργαλείο που έχει εισαχθεί, υποβάλλεται σε βαριά καταπόνηση κατά τη χρήση του μηχανήματος. Το εργαλείο μπορεί να σπάσει λόγω κόπωσης μετά από κάποιο διάστημα χρήσης. Εάν το εργαλείο σπάσει ή κολλήσει, μπορεί να προκληθούν ξαφνικές και μη αναμενόμενες κινήσεις του μηχανήματος με πιθανή συνέπεια τον τραυματισμό του χειριστή. Επιπλέον, ενδέχεται να τραυματιστείτε εάν χάσετε την ισορροπία σας ή γλιστρήσετε.

- ▶ Να βεβαιώνετε ότι η θέση σας είναι πάντοτε σταθερή, έχοντας τα πόδια σας σε απόσταση ίση με το πλάτος των ώμων σας και διατηρώντας το βάρος του σώματός σας σε ισορροπία.
- ▶ Να επιθεωρείτε πάντοτε τον εξοπλισμό πριν από τη χρήση. Μη χρησιμοποιείτε ποτέ τον εξοπλισμό, εάν υποψιάζεστε ότι έχει υποστεί ζημιά.
- ▶ Να βεβαιώνετε ότι οι λαβές είναι καθαρές, χωρίς γράσο ή λάδι.
- ▶ Να κρατάτε τα πόδια σας μακριά από το εργαλείο εισαγωγής.
- ▶ Να στέκεστε σταθερά και να στηρίζετε πάντοτε στο μηχάνημα και με τα δύο χέρια.
- ▶ Ποτέ μην τρυπήσετε σε παλαιά οπή.
- ▶ Μη θέτετε ποτέ σε λειτουργία το μηχάνημα όταν βρίσκεται στο έδαφος.
- ▶ Μην «καβαλικεύετε» ποτέ το μηχάνημα με το ένα πόδι πάνω από τη λαβή.
- ▶ Μην κτυπάτε ποτέ και μην κακομεταχειρίζεστε τον εξοπλισμό.

- ▶ Να ελέγχετε τακτικά το εργαλείο εισαγωγής για φθορά, καθώς και για ενδείξεις ζημιάς ή ορατές ρωγμές.

- ▶ Να δίνετε μεγάλη προσοχή και να παρακολουθείτε αυτό που κάνετε.

▲ ΠΡΟΕΙΔΟΠΟΙΗΣΗ Κίνδυνος μπλοκαρίσματος

Εάν το εργαλείο εισαγωγής μαγκώσει κατά τη λειτουργία, ολόκληρο το μηχάνημα θα αρχίσει να περιστρέφεται εάν δεν το συγκρατήσετε. Η αιφνிடαστική περιστροφή ολόκληρου του μηχανήματος μπορεί να προκαλέσει σοβαρό ή και θανάσιμο τραυματισμό.

- ▶ Να στέκεστε σταθερά και να στηρίζετε πάντοτε στο μηχάνημα και με τα δύο χέρια.
- ▶ Να βεβαιώνετε ότι η λαβή/οι λαβές είναι καθαρές, χωρίς γράσο ή λάδι.
- ▶ Ποτέ μην τρυπήσετε σε παλαιά οπή.

▲ ΠΡΟΕΙΔΟΠΟΙΗΣΗ Κίνδυνος παγίδευσης

Υπάρχει κίνδυνος παγίδευσης και τραβήγματος αντικειμένων που κρέμονται στο λαιμό, μαλιών, γαντιών και ρουχισμού από ένα περιστρεφόμενο εργαλείο εισαγωγής ή αξεσουάρ. Αυτό ενδέχεται να προκαλέσει πνιγμό, γδάρισμα του δέρματος του κρανίου, αμυχές ή θάνατο. Για να ελαχιστοποιήσετε τον κίνδυνο:

- ▶ Μην πιάνετε και μην αγγίζετε ποτέ ένα περιστρεφόμενο διατρητικό στέλεχος.
- ▶ Να αποφεύγετε να φοράτε ρουχισμό, αντικείμενα που κρέμονται στο λαιμό ή γάντια, τα οποία ενδέχεται να πιαστούν.
- ▶ Να φροντίζετε ώστε τα μακριά μαλλιά να είναι καλυμμένα με δίχτυ μαλιών.

▲ ΠΡΟΕΙΔΟΠΟΙΗΣΗ Κίνδυνος λόγω σκόνης και αναθυμιάσεων

Τα είδη σκόνης ή/και αναθυμιάσεων τα οποία εκλύονται ή διαχέονται κατά τη χρήση του μηχανήματος ενδέχεται να προκαλέσουν σοβαρές και μόνιμες βλάβες και παθήσεις των οργάνων (π.χ. πνευμόνια ή άλλες σωματικές βλάβες (π.χ. πυριτίωση ή άλλη μη αναστρέψιμη πάθηση των πνευμόνων η οποία είναι δυνατόν να είναι θανατηφόρα, καρκίνο, συγγενείς ανωμαλίες ή/και ερεθισμό του δέρματος).

Ορισμένα είδη σκόνης ή αναθυμιάσεων τα οποία εκλύονται κατά τη διάτρηση, θραύση, σφυρηλάτηση, πριόνισμα και άλλες κατασκευαστικές δραστηριότητες περιέχουν χημικές ουσίες οι οποίες είναι γνωστό, στην πολιτεία της Καλιφόρνια και άλλες αρχές, ότι προκαλούν αναπνευστικές παθήσεις, καρκίνο, συγγενείς ανωμαλίες ή άλλες βλάβες του αναπαραγωγικού συστήματος. Ορισμένα παραδείγματα τέτοιων χημικών ουσιών είναι τα εξής:

- > Κρυσταλλικό πυρίτιο, τσιμέντο και άλλα οικοδομικά υλικά.
- > Αρσενικό και χρώμιο από χημικά επεξεργασμένο ελαστικό.
- > Μόλυβδος από χρώματα που έχουν ως βάση το μόλυβδο.

Η σκόνη και οι αναθυμιάσεις στην ατμόσφαιρα είναι δυνατόν να μην διακρίνονται με γυμνό οφθαλμό, επομένως μην βασίζεστε στην όραση για τον προσδιορισμό εάν υπάρχει σκόνη ή αναθυμιάσεις στην ατμόσφαιρα.

Προς ελαχιστοποίηση του κινδύνου έκθεσης σε σκόνη και αναθυμιάσεις, φροντίστε για όλα τα εξής:

- ▶ Διενέργεια αξιολόγησης των κινδύνων για τη συγκεκριμένη περιοχή. Η αξιολόγηση των κινδύνων θα πρέπει να περιλαμβάνει τη σκόνη και τις αναθυμιάσεις που εκλύονται λόγω χρήσης του μηχανήματος όπως και το ενδεχόμενο διαταραχής της υπάρχουσας σκόνης.
- ▶ Χρήση κατάλληλου μηχανολογικού εξοπλισμού, προς ελαχιστοποίηση της ποσότητας σκόνης και αναθυμιάσεων η οποία εκλύεται στην ατμόσφαιρα όπως και ελαχιστοποίηση της συσσώρευσης πάνω σε εξοπλισμό, επιφάνειες, ρουχισμό και διάφορα μέρη του σώματος. Στα παραδείγματα εξοπλισμού αυτού του είδους περιλαμβάνονται τα εξής: Συστήματα απαγωγής, αερισμού και συλλογής σκόνης, ψεκαστήρες νερού και διάτρηση με χρήση υγρού. Να ελέγχετε την έκλυση σκόνης και αναθυμιάσεων στην πηγή, κατά το δυνατόν. Να φροντίζετε ώστε ο εξοπλισμός να εγκαθίσταται κατάλληλα και να συντηρείται σωστά.

- ▶ Να φοράτε, να συντηρείτε και να χρησιμοποιείτε κατάλληλα αναπνευστική προστασία, όπως συνιστάται από τον εργοδότη σας και απαιτείται από τους κανονισμούς περί υγείας και ασφάλειας στους επαγγελματικούς χώρους. Η αναπνευστική προστασία απαιτείται να είναι αποτελεσματική ανάλογα με τον τύπο της χημικής ουσίας που σας αφορά (και να είναι εγκεκριμένη από την αρμόδια κρατική αρχή, εάν απαιτείται).
- ▶ Να εργάζεστε σε καλώς αεριζόμενο χώρο.
- ▶ Εάν το μηχάνημα διαθέτει εξαγωγή, κατευθύνετε την εξαγωγή κατάλληλα, ώστε να αποτρέπεται η διαταραχή της σκόνης σε περιβάλλον το οποίο περιέχει σκόνη.
- ▶ Να χειρίζεστε και να συντηρείτε το μηχάνημα, όπως συνιστάται στις οδηγίες ασφάλειας και χειρισμού.
- ▶ Να επιλέγετε, να συντηρείτε και να αντικαθιστάτε τα αναλώσιμα/ εργαλεία εισαγωγής/ άλλα παρελκόμενα, όπως συνιστάται στις οδηγίες ασφάλειας και χειρισμού. Η εσφαλμένη επιλογή ή έλλειψη συντήρησης των αναλώσιμων/ εργαλείων εισαγωγής/ άλλων παρελκόμενων ενδέχεται να προκαλέσει άσκοπη αύξηση της σκόνης ή των αναθυμιάσεων.
- ▶ Στο χώρο εργασίας, να φοράτε προστατευτικά ρούχα που πλένονται ή είναι μιας χρήσης. Να κάνετε ντους και να φοράτε καθαρά ρούχα πριν φύγετε από το χώρο εργασίας για να ελαχιστοποιείτε τη δική σας έκθεση στη σκόνη και στις αναθυμιάσεις ή την έκθεση άλλων ατόμων, αυτοκινήτων, σπιτιών και άλλων χώρων.
- ▶ Να αποφεύγετε τη λήψη τροφής, ποτών και τη χρήση προϊόντων καπνιστού σε χώρους όπου υπάρχει σκόνη ή αναθυμιάσεις.
- ▶ Να πλένετε τα χέρια και το πρόσωπό σας σχολαστικά αμέσως μόλις φύγετε από το χώρο έκθεσης, εάν αυτό είναι δυνατόν, και πάντα πριν από τη λήψη τροφής ή ποτών, τη χρήση προϊόντων καπνιστού ή πριν από την επαφή με άλλα άτομα.
- ▶ Να συμμορφώνεστε με τους ισχύοντες νόμους και κανονισμούς, όπως και τους κανονισμούς περί υγείας και ασφάλειας στους επαγγελματικούς χώρους.

- ▶ Να συμμετέχετε στην παρακολούθηση της ατμοσφαιράς, στα προγράμματα ιατρικών εξετάσεων, όπως και στα προγράμματα εκπαίδευσης σε θέματα υγείας και ασφάλειας που παρέχονται από τον εργοδότη σας ή οργανισμούς του κλάδου και σύμφωνα με τους κανονισμούς και τις συστάσεις περί υγείας και ασφάλειας στους επαγγελματικούς χώρους. Ζητήστε τη συμβουλή ιατρών με εμπειρία στο σχετικό πεδίο επαγγελματικής ιατρικής.
- ▶ Συνεργαστείτε με τον εργοδότη και τον επαγγελματικό σας οργανισμό προς μείωση της έκθεσης στη σκόνη και στις αναθυμιάσεις του χώρου εργασίας και προς μείωση των κινδύνων. Απαιτείται η θέσπιση και η εφαρμογή αποτελεσματικών προγραμμάτων, πολιτικών και διαδικασιών υγείας και ασφάλειας με σκοπό την προστασία των εργαζομένων και των τρίτων από την επικίνδυνη έκθεση σε σκόνη και αναθυμιάσεις, βάσει των οδηγιών των ειδικών σε θέματα υγείας και ασφάλειας. Ζητήστε τη συμβουλή ειδικών.

▲ ΠΡΟΕΙΔΟΠΟΙΗΣΗ Εκτίναξη αντικειμένων

Τυχόν αστοχία του τεμαχίου εργασίας, των παρελκόμενων ή ακόμη και του ίδιου του εργαλείου ενδέχεται να προκαλέσει εκτίναξη αντικειμένων με μεγάλη ταχύτητα. Κατά τη διάτρηση, θραύσματα ή άλλα σωματίδια από το υλικό με το οποίο εργάζεστε ενδέχεται να εκτιναχτούν και να προκαλέσουν τραυματισμό χτυπώντας το χειριστή ή άλλα άτομα. Για να ελαχιστοποιήσετε αυτούς τους κινδύνους:

- ▶ Να χρησιμοποιείτε εγκεκριμένο εξοπλισμό ατομικής προστασίας και κράνος ασφαλείας, όπως και ανθεκτικά σε κρούσεις γυαλιά ασφαλείας με πλευρική προστασία.
- ▶ Να φροντίζετε ώστε κανείς άλλος, εκτός από το εξουσιοδοτημένο προσωπικό, να μην εισέρχεται στην περιοχή εργασίας.
- ▶ Να διατηρείτε το χώρο εργασίας ελεύθερο από αντικείμενα που δεν σχετίζονται με την εργασία σας.
- ▶ Να φροντίζετε ώστε το τεμάχιο εργασίας να είναι σταθερά στερεωμένο.

▲ ΠΡΟΕΙΔΟΠΟΙΗΣΗ Κίνδυνος λόγω θραυσμάτων

Σε περίπτωση χρήσης του εργαλείου εισαγωγής ως εργαλείου χειρός είναι δυνατόν ο χειριστής να πληγεί από θραύσματα και να τραυματιστεί.

- ▶ Μην χρησιμοποιείτε ποτέ ένα εργαλείο εισαγωγής ως εργαλείο χειρός. Έχουν σχεδιαστεί ειδικά και έχουν υποστεί θερμική κατεργασία, ώστε να χρησιμοποιούνται σε μηχανήματα μόνο.

▲ ΠΡΟΕΙΔΟΠΟΙΗΣΗ Κίνδυνοι λόγω ολίσθησης, παραπατήματος και πτώσης

Υπάρχει κίνδυνος ολίσθησης ή παραπατήματος και πτώσης, π.χ. παραπατήματος πάνω στους εύκαμπτους σωλήνες ή άλλα αντικείμενα. Η ολίσθηση, η παραπατήματα και η πτώση είναι δυνατόν να προκαλέσουν τραυματισμό. Για να ελαχιστοποιήσετε αυτόν τον κίνδυνο:

- ▶ Να φροντίζετε πάντα ώστε να μην υπάρχει κανένας εύκαμπτος σωλήνας ή άλλο αντικείμενο στο δρόμο σας ή στο δρόμο οποιουδήποτε άλλου ατόμου.
- ▶ Να φροντίζετε πάντα ώστε η θέση σας να είναι πάντα σταθερή, έχοντας τα πόδια σας σε απόσταση ίση με το πλάτος των ώμων σας και διατηρώντας το βάρος του σώματός σας σε ισορροπία.

▲ ΠΡΟΕΙΔΟΠΟΙΗΣΗ Κίνδυνοι λόγω κίνησης

Κατά τη χρήση του μηχανήματος για την εκτέλεση διαφόρων δραστηριοτήτων που σχετίζονται με την εργασία, ενδέχεται να αισθανθείτε δυσφορία σε χέρια, βραχίονες, ώμους, λαιμό ή άλλα σημεία του σώματος.

- ▶ Φροντίστε να υιοθετήσετε μια άνετη στάση ενώ συνεχίζετε να στηρίζετε στα πόδια σας σταθερά και να αποφεύγετε ενοχλητικές στάσεις στις οποίες δεν είναι δυνατόν να διατηρήσετε την ισορροπία σας.
- ▶ Στη διάρκεια παρατεταμένων εργασιών, η αλλαγή στάσης ενδέχεται να διευκολύνει την αντιμετώπιση της δυσφορίας και της κόπωσης.
- ▶ Σε περίπτωση επίμονων ή επανειλημμένων συμπτωμάτων, συμβουλευτείτε ειδικευμένο ιατρό.

▲ ΠΡΟΕΙΔΟΠΟΙΗΣΗ Κίνδυνοι λόγω κραδασμών

Η κανονική και κατάλληλη χρήση του μηχανήματος εκθέτει το χειριστή σε κραδασμούς. Η τακτική και συχνή έκθεση σε κραδασμούς ενδέχεται να προκαλέσει, να συμβάλει ή να επιδεινώσει τραυματισμούς ή παθήσεις των άστων, των ώμων, των καρπών, στους καρπούς, στους βραχίονες, στους ώμους ή/και στα νεύρα και στην αιμάτωση ή σε άλλα μέρη του σώματος του χειριστή και επίσης να προκαλέσει εξασθένηση ή/και μόνιμες βλάβες ή παθήσεις οι οποίες ενδέχεται να εξελιχθούν σταδιακά σε διάστημα εβδομάδων, μηνών ή ετών. Οι τραυματισμοί ή οι παθήσεις αυτού του είδους ενδέχεται να περιλαμβάνουν βλάβη στο σύστημα κυκλοφορίας του αίματος, βλάβη στο νευρικό σύστημα, βλάβη στις αρθρώσεις και ενδεχομένως βλάβη σε άλλες δομές του σώματος.

Εάν αισθανθείτε μούδιασμα, επίμονη και επαναλαμβανόμενη δυσφορία, αίσθηση καψίματος, δυσκαμψία, έντονες σφύξεις, μυρμήγκιασμα, πόνο, αδεξιότητα, αδυναμία συγκράτησης στα χέρια, παρατηρήσετε λεύκανση του δέρματος ή άλλα συμπτώματα οποιαδήποτε στιγμή, κατά το χειρισμό ή μη του μηχανήματος, διακόψτε τη χρήση του μηχανήματος, ενημερώστε τον εργοδότη σας και αναζητήστε ιατρική συμβουλή. Εάν συνεχίσετε να χρησιμοποιείτε το μηχάνημα μετά από την εμφάνιση οποιουδήποτε από τα συγκεκριμένα συμπτώματα, ενδέχεται να αυξηθεί ο κίνδυνος τα συμπτώματα να καταστούν πιο σοβαρά ή/και μόνιμα.

Να χειρίζεστε και να συντηρείτε το μηχάνημα όπως συνιστάται στις παρούσες οδηγίες, ώστε να αποτραπεί η άσκοπη αύξηση των κραδασμών.

Οι οδηγίες που ακολουθούν ενδέχεται να διευκολύνουν στη μείωση της έκθεσης του χειριστή σε κραδασμούς:

- ▶ Να αφήνετε το εργαλείο να κάνει τη δουλειά. Η λαβή σας πρέπει να είναι η ελάχιστη που απαιτείται για τον κατάλληλο έλεγχο και την ασφαλή λειτουργία του μηχανήματος.
- ▶ Εάν το μηχάνημα διαθέτει λαβές απορρόφησης κραδασμών, κρατήστε τις σε κεντρική θέση, αποφεύγοντας να πιέζετε τις λαβές στα άκρα.

▶ Όταν ο κρουστικός μηχανισμός είναι ενεργοποιημένος, το μοναδικό σημείο που θα πρέπει το σώμα σας να έρχεται σε επαφή με το μηχάνημα είναι τα χέρια σας πάνω στη λαβή ή στις λαβές. Να αποφεύγετε οποιαδήποτε άλλη επαφή. Μην αγγίζετε οποιοδήποτε τμήμα του σώματός σας πάνω στο μηχάνημα ή να σκύβετε πάνω από το μηχάνημα προσπαθώντας να αυξήσετε την ασκούμενη δύναμη. Είναι επίσης σημαντικό να μην συνεχίζετε να πιέζετε τη διάταξη εκκίνησης/διακοπής της λειτουργίας κατά την αφαίρεση του εργαλείου από τη σπασμένη επιφάνεια εργασίας.

▶ Να φροντίζετε ώστε το εργαλείο που έχει εισαχθεί να είναι καλά συντηρημένο (και αρκετά αιχμηρό, εάν πρόκειται για κοπτικό εργαλείο), να μην είναι φθαρμένο και να έχει το κατάλληλο μέγεθος. Τα εργαλεία εισαγωγής τα οποία δεν είναι καλά συντηρημένα, είναι φθαρμένα ή δεν έχουν το κατάλληλο μέγεθος χρειάζονται περισσότερο χρόνο για να ολοκληρώσουν την εργασία (και επομένως αυξάνουν τη διάρκεια έκθεσης του χειριστή σε κραδασμούς) και ενδέχεται να προκαλέσουν ή να συμβάλλουν στην έκθεση σε κραδασμούς μεγαλύτερου βαθμού.

▶ Διακόψτε αμέσως την εργασία σας, εάν το μηχάνημα αρχίσει ξαφνικά να δονείται έντονα. Πριν συνεχίσετε την εργασία σας, εντοπίστε και εξαλείψτε την αιτία των αυξημένων κραδασμών.

▶ Μην πιάνετε, κρατάτε ή αγγίζετε ποτέ το εργαλείο εισαγωγής όταν χρησιμοποιείτε το μηχάνημα.

▶ Να συμμετέχετε στην παρακολούθηση ή στον έλεγχο της υγείας σας, στις ιατρικές εξετάσεις και στα προγράμματα εκπαίδευσης που προσφέρονται από τον εργοδότη σας ή επιβάλλονται από τη νομοθεσία.

▶ Όταν εργάζεστε σε συνθήκες ψύχους, να φοράτε ζεστά ρούχα και να διατηρείτε τα χέρια σας ζεστά και στεγνά.

Ανατρέξτε στην ενότητα «Δήλωση εκπομπών θορύβου και κραδασμών» για το μηχάνημα, όπως και τις δηλωμένες τιμές κραδασμών. Αυτές οι πληροφορίες βρίσκονται στο τέλος της ενότητας Οδηγίες ασφαλείας και χειρισμού.

♦ Να χρησιμοποιείτε τη συνιστώμενη πίεση αέρα όταν χρησιμοποιείτε το μηχάνημα. Υψηλότερη ή χαμηλότερη πίεση αέρα ενδέχεται να προκαλέσει υψηλότερη στάθμη κραδασμών.

▲ ΚΙΝΔΥΝΟΣ Κίνδυνος από το ηλεκτρικό ρεύμα

Το μηχάνημα δεν είναι ηλεκτρικά μονωμένο. Εάν το μηχάνημα έλθει σε επαφή με ηλεκτρικό ρεύμα, ενδέχεται να προκληθεί σοβαρού βαθμού ή θανατηφόρος τραυματισμός.

- ▶ Μη χρησιμοποιείτε ποτέ το μηχάνημα κοντά σε ηλεκτρικά καλώδια ή άλλη πηγή ηλεκτρισμού.
- ▶ Βεβαιωθείτε ότι δεν υπάρχουν κρυμμένα καλώδια ή άλλες πηγές ηλεκτρισμού στην περιοχή εργασίας σας.

▲ ΠΡΟΕΙΔΟΠΟΙΗΣΗ Κίνδυνος από κρυμμένα αντικείμενα

Κατά τις εργασίες διάτρησης, τα κρυμμένα καλώδια και οι σωλήνες αποτελούν κίνδυνο σοβαρού τραυματισμού.

- ▶ Πριν χρησιμοποιήσετε το μηχάνημα, ελέγξτε την υφή του υλικού.
- ▶ Έχετε το νου σας για κρυμμένα καλώδια και σωληνώσεις π.χ. γραμμές ηλεκτρικού ρεύματος, τηλεφώνου, νερού, φυσικού αερίου και αποχέτευσης κ.λπ.
- ▶ Εάν το εργαλείο εισαγωγής σας δίνει την εντύπωση ότι έχει χτυπήσει ένα κρυμμένο αντικείμενο, σβήστε το μηχάνημα αμέσως.
- ▶ Βεβαιωθείτε ότι δεν υπάρχει κίνδυνος πριν συνεχίσετε.

▲ ΠΡΟΕΙΔΟΠΟΙΗΣΗ Ακούσια εκκίνηση

Η ακούσια εκκίνηση του μηχανήματος ενδέχεται να προκαλέσει τραυματισμό.

- ▶ Να φροντίζετε ώστε να διατηρείτε τα χέρια σας μακριά από τη διάταξη εκκίνησης/διακοπής της λειτουργίας, έως ότου είστε έτοιμοι να θέσετε το μηχάνημα σε λειτουργία.
- ▶ Μάθετε πώς τίθεται το μηχάνημα εκτός λειτουργίας σε περίπτωση έκτακτης ανάγκης.
- ▶ Να ελευθερώνετε αμέσως τη διάταξη εκκίνησης/διακοπής της λειτουργίας σε όλες τις περιπτώσεις διακοπής της παροχής ρεύματος.
- ▶ Κατά την τοποθέτηση ή αφαίρεση του εργαλείου εισαγωγής, να διακόπτετε την παροχή αέρα, να εξαερώνετε το μηχάνημα πιέζοντας τη διάταξη εκκίνησης/διακοπής της λειτουργίας και να αποσυνδέετε το μηχάνημα από την παροχή ισχύος.

▲ ΠΡΟΕΙΔΟΠΟΙΗΣΗ Κίνδυνος από θορύβους

Τα υψηλά επίπεδα θορύβου είναι δυνατόν να προκαλέσουν μόνιμη απώλεια ακοής και άλλα προβλήματα όπως tinnitus (κουδούνισμα, βόμβο, σφύριγμα ή βούισμα στα αυτιά). Προς αποφυγή κινδύνου και πρόληψη της μη απαραίτητης αύξησης των επιπέδων θορύβου:

- ▶ Η αξιολόγηση κινδύνου σε αυτές τις περιπτώσεις και η εφαρμογή κατάλληλων μηχανισμών ελέγχου είναι ουσιώδης.
- ▶ Χειρισμός και συντήρηση του μηχανήματος, όπως συνιστάται στις παρούσες οδηγίες.
- ▶ Επιλογή, συντήρηση και αντικατάσταση του εργαλείου εισαγωγής, όπως συνιστάται στις παρούσες οδηγίες.
- ▶ Εάν το μηχάνημα διαθέτει σιγαστήρα, βεβαιωθείτε ότι βρίσκεται στη θέση του και είναι σε καλή κατάσταση.
- ▶ Χρήση προστατευτικών ακοής, πάντα.
- ▶ Να χρησιμοποιείτε υλικό απόσβεσης κραδασμών, ώστε να αποτρέπεται το «κουδούνισμα».

Συντήρηση, προφυλάξεις**▲ ΠΡΟΕΙΔΟΠΟΙΗΣΗ Τροποποίηση μηχανήματος**

Οποιαδήποτε τροποποίηση του μηχανήματος ενδέχεται να προκαλέσει τραυματισμό σε εσάς ή σε άλλα άτομα.

- ▶ Μην τροποποιήσετε ποτέ το μηχάνημα. Τα τροποποιημένα μηχανήματα δεν καλύπτονται από εγγύηση ή ευθύνη για το προϊόν.
- ▶ Να χρησιμοποιείτε πάντα γνήσια εξαρτήματα, εργαλεία εισαγωγής και παρελκόμενα.
- ▶ Να αντικαθιστάτε αμέσως τα εξαρτήματα που έχουν υποστεί ζημία.
- ▶ Να αντικαθιστάτε εγκαίρως τα εξαρτήματα που έχουν υποστεί φθορά.

▲ ΠΡΟΣΟΧΗ Καυτό εργαλείο εισαγωγής

Το άκρο του εργαλείου εισαγωγής θερμαίνεται και γίνεται αιχμηρό κατά τη χρήση. Εάν το αγγίξετε, είναι δυνατόν να σας προκαλέσει εγκαύματα και κοψίματα.

- ▶ Μην αγγίζετε ποτέ ένα καυτό ή αιχμηρό εργαλείο εισαγωγής.
- ▶ Περιμένετε να κρυώσει το εργαλείο εισαγωγής πριν ξεκινήσετε οποιαδήποτε εργασία συντήρησης σε αυτό.

▲ ΠΡΟΕΙΔΟΠΟΙΗΣΗ Κίνδυνοι λόγω εργαλείων εισαγωγής

Η ακούσια ενεργοποίηση της διάταξης εκκίνησης/διακοπής της λειτουργίας στη διάρκεια της συντήρησης είναι δυνατόν να προκαλέσει σοβαρούς τραυματισμούς, όταν συνδεθεί η παροχή ισχύος.

- ▶ Μην επιθεωρείτε, καθαρίζετε ή αφαιρείτε ποτέ το εργαλείο εισαγωγής, όταν η παροχή ισχύος είναι συνδεδεμένη.

Αποθήκευση, προφυλάξεις

- ◆ Να φυλάσσετε το μηχάνημα και τα εργαλεία σε ασφαλή χώρο, κλειδωμένο και απρόσιτο στα παιδιά.

Επισκόπηση

Για να μειώσετε τον κίνδυνο πρόκλησης σοβαρού ή θανατηφόρου τραυματισμού στον εαυτό σας ή σε άλλους, διαβάστε την ενότητα «Οδηγίες ασφάλειας» (βρίσκεται στις προηγούμενες σελίδες του παρόντος εγχειριδίου) πριν χρησιμοποιήσετε το μηχάνημα.

Σχεδιασμός και λειτουργία

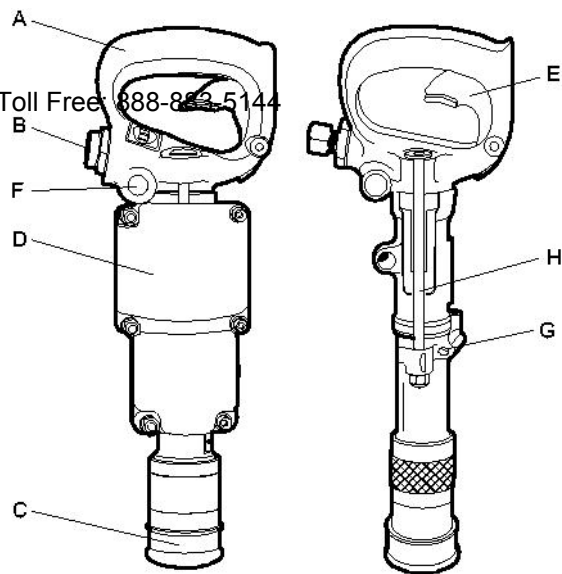
Τα CP 0009 και CP 0014 είναι συνδυασμός μηχανημάτων διάτρησης και θραύσης, που έχουν σχεδιαστεί για οριζόντια και κάθετη χρήση.

Το CP 0009 είναι εξοπλισμένο με διάταξη συγκράτησης ταχείας αλλαγής και διαθέτει δεξιόστροφη περιστροφή. Η προσαρμογή του μηχανήματος για εργασίες διάτρησης ή θραύσης επιτυγχάνεται με αλλαγή του εργαλείου εισαγωγής ή με ενεργοποίηση της διάταξης απασφάλισης περιστροφής ανάλογα με το μοντέλο. Παραδείγματα χρήσης περιλαμβάνουν εργασίες διάτρησης, κοπιδιάσματος ή λάξευσης σε σκυρόδεμα ή τούβλο. Δεν επιτρέπεται καμία άλλη χρήση.

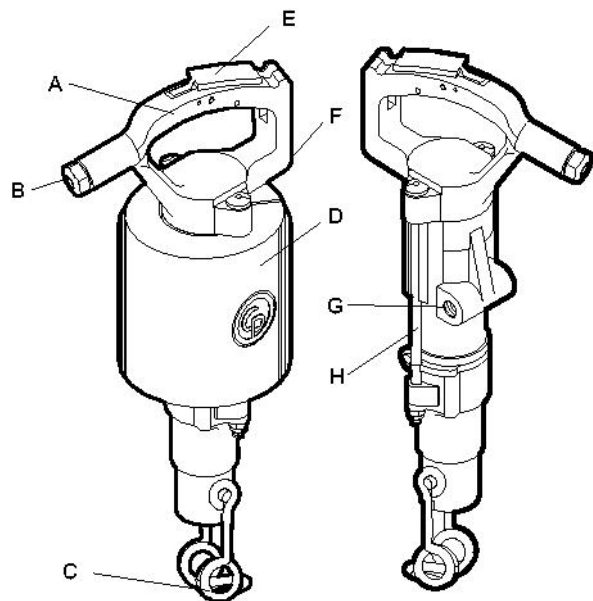
Το CP 0014 είναι εξοπλισμένο με ελατηριωτή διάταξη συγκράτησης και διαθέτει δεξιόστροφη περιστροφή. Η προσαρμογή του μηχανήματος για διάτρηση ή θραύση επιτυγχάνεται με ενεργοποίηση της διάταξης απασφάλισης περιστροφής. Παραδείγματα χρήσης ως γεωτρήπανο περιλαμβάνουν εργασίες διάτρησης σε γρανίτη, σκυρόδεμα, ασβεστόλιθο, τούβλο ή άλλα παρόμοια υλικά. Ως σφύρα, μπορεί να χρησιμοποιηθεί σε εργασίες κοπιδιάσματος ή λάξευσης σε σκυρόδεμα ή τούβλο. Δεν επιτρέπεται καμία άλλη χρήση.

Για να επιλέξετε το κατάλληλο εργαλείο εισαγωγής, ανατρέξτε στον κατάλογο ανταλλακτικών εξαρτημάτων.

Κύρια μέρη



CP 0009



CP 0014

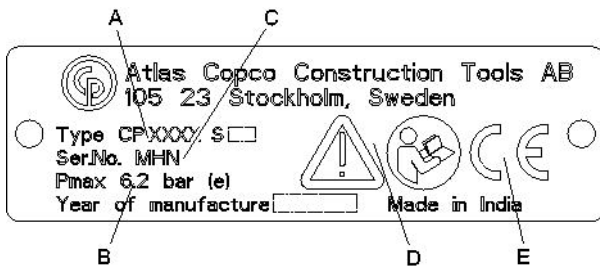
- A. Λαβή
- B. Ρακόρ εισαγωγής αέρα
- C. Διάταξη συγκράτησης εργαλείου
- D. Σιγαστήρας
- E. Σκανδάλη
- F. Λιπαντήρας
- G. Διάταξη απασφάλισης περιστροφής

H. Διαμπερής κοχλίας

ΕΤΙΚΕΤΕΣ

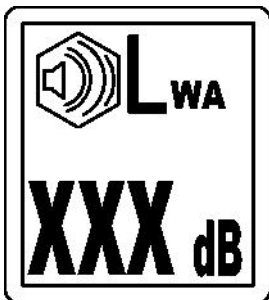
Στο μηχάνημα υπάρχουν ετικέτες που περιέχουν σημαντικές πληροφορίες σχετικά με την προσωπική ασφάλεια και τη συντήρηση του μηχανήματος. Οι ετικέτες απαιτείται να βρίσκονται σε καλή κατάσταση, ώστε να διευκολύνεται η ανάγνωσή τους. Μπορείτε να παραγγείλετε ετικέτες από τον κατάλογο ανταλλακτικών εξαρτημάτων.

Πινακίδα δεδομένων



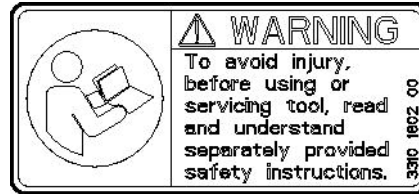
- A. Τύπος μηχανήματος
- B. Μέγιστη επιτρεπόμενη πίεση πεπιεσμένου αέρα
- C. Αριθμός σειράς
- D. Το προειδοποιητικό σύμβολο μαζί με το σύμβολο του βιβλίου σημαίνουν ότι ο χειριστής απαιτείται να διαβάσει τις Οδηγίες ασφαλείας και χειρισμού πριν χρησιμοποιήσει το μηχάνημα για πρώτη φορά.
- E. Το σύμβολο CE σημαίνει ότι το μηχάνημα είναι εγκεκριμένο από την ΕΚ. Για περαιτέρω πληροφορίες, ανατρέξτε στη δήλωση ΕΚ η οποία συνοδεύει το μηχάνημα. Εάν το σύμβολο CE δεν υπάρχει, αυτό σημαίνει ότι το μηχάνημα δεν είναι εγκεκριμένο από την ΕΚ.

Ετικέτα στάθμης θορύβου



Η ετικέτα υποδεικνύει την εγγυημένη στάθμη θορύβου σύμφωνα με την κατευθυντήρια οδηγία της Ευρωπαϊκής Κοινότητας 2000/14/ΕΚ. Για την ακριβή στάθμη θορύβου, ανατρέξτε στην ενότητα «Τεχνικά στοιχεία».

Ετικέτα ασφαλείας



Προς αποφυγή τραυματισμού, πριν από τη χρήση ή τη διενέργεια σέρβις στο εργαλείο, φροντίστε να διαβάσετε και να κατανοήσετε τις χωριστά παρεχόμενες οδηγίες ασφαλείας.

Εγκατάσταση

Αφαίρεση συσκευασίας τρυπανιού

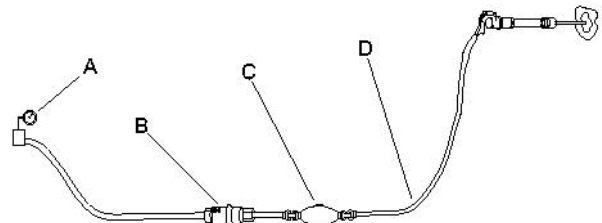
Πλαστικοί προφυλακτήρες

Πριν χρησιμοποιήσετε το τρυπάνι για πρώτη φορά, αφαιρέστε όλους τους πλαστικούς προφυλακτήρες από τα ρακόρ εύκαμπτου σωλήνα.

Λίπανση

Μετά από την αφαίρεση της συσκευασίας και την εγκατάσταση του εργαλείου, ρίξτε άφθονη ποσότητα λαδιού λίπανσης στη σύνδεση αέρα.

Εύκαμπτοι σωλήνες και συνδέσεις



- A. Παροχή πεπιεσμένου αέρα
- B. Διαχωριστής νερού (προαιρετικό)
- C. Λιπαντήρας (προαιρετικό)

D. Έως 10 feet (3 μέτρα) εύκαμπτου σωλήνα πεπιεσμένου αέρα μεταξύ λιπαντήρα και μηχανήματος.

- ♦ Βεβαιωθείτε ότι χρησιμοποιείτε την κατάλληλη συνιστώμενη πίεση λειτουργίας, 87 psig (6 bar (e)).
www.CrowderSupply.com • Toll Free: 888-883-5144
- ♦ Μην υπερβαίνετε τη μέγιστη επιτρεπόμενη πίεση αέρα 90 psig (6,2 bar (e)).
- ♦ Φυσηξτε για να διώξετε τυχόν ακαθαρσίες από τον εύκαμπο σωλήνα πεπιεσμένου αέρα πριν τον συνδέσετε στο μηχάνημα.
- ♦ Επιλέξτε τη σωστή διάσταση και το σωστό μήκος για τον εύκαμπο σωλήνα πεπιεσμένου αέρα. Για μήκη εύκαμπτου σωλήνα έως 100 feet (30 μέτρα), θα πρέπει να χρησιμοποιηθεί εύκαμπτος σωλήνας με ελάχιστη εσωτερική διάμετρο ¾" (19 mm). Εάν το μήκος του εύκαμπτου σωλήνα είναι μεταξύ 100 και 330 feet (30 και 100 μέτρα), θα πρέπει να χρησιμοποιηθεί εύκαμπτος σωλήνας με ελάχιστη εσωτερική διάμετρο 1" (25 mm).

Μέθοδοι αποφυγής παγώματος

Ενδέχεται να σχηματιστεί πάγος στο σιγαστήρα όταν η θερμοκρασία αέρα του περιβάλλοντος είναι 32-50 °F (0-10°C) και η σχετική υγρασία είναι υψηλή.

Το μηχάνημα έχει σχεδιαστεί ώστε να αποτρέπεται ο σχηματισμός πάγου στο εσωτερικό του σιγαστήρα. Ωστόσο, σε ακραίες συνθήκες, ενδέχεται να σχηματιστεί πάγος στο εσωτερικό του σιγαστήρα.

Για να αποφύγετε περαιτέρω τον κίνδυνο σχηματισμού πάγου, χρησιμοποιήστε διαχωριστή νερού.

Σύνδεση διαχωριστή νερού

Χρησιμοποιήστε έναν ελαστικό σωλήνα με το κατάλληλο μήκος μεταξύ συμπιεστή και διαχωριστή νερού για να διασφαλίσετε ότι οι υδρατμοί ψύχονται και συμπυκνώνονται στον ελαστικό σωλήνα πριν φτάσουν στο διαχωριστή νερού.

Εάν η θερμοκρασία περιβάλλοντος είναι μικρότερη από 32 °F (0 °C), ο ελαστικός σωλήνας πρέπει να έχει αρκετά μικρό μήκος ώστε το νερό να μην παγώνει πριν φτάσει στο διαχωριστή νερού.

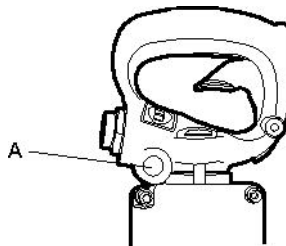
Λίπανση

Το λιπαντικό παίζει σημαντικό ρόλο στη λειτουργία του μηχανήματος και επηρεάζει σε μεγάλο βαθμό τη διάρκεια ζωής του.

Ενδειξη κατάλληλης λίπανσης αποτελεί η παρουσία νέφους λαδιού στον αέρα εξαγωγής και ελαφρά ίχνη λαδιού πάνω στο τρυπάνι ή στο στέλεχος προσαρμογέα. Η υπερβολική λίπανση μπορεί να προκαλέσει προβλήματα στην εκκίνηση, χαμηλή ισχύ ή διακυμάνσεις στην απόδοση.

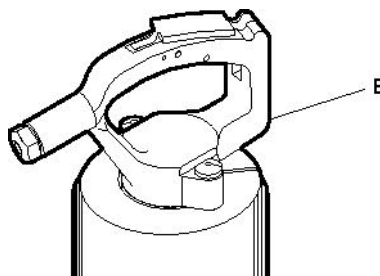
Για την παροχή κατάλληλης ποσότητας λαδιού, απαιτείται τακτικός έλεγχος του λιπαντήρα και πλήρωση. Επιπλέον, συνιστάται η χρήση λιπαντήρα στη γραμμή αέρα ώστε να διασφαλιστεί η συνεχής και επαρκής παροχή λιπαντικού.

Συνιστώμενο λιπαντικό: Λάδι για γεωτρήματα με ιξώδες 100-150 SUS στους 100°F (ISO VG 22-32).



CP 0009

Καθημερινά, πριν από τη χρήση και μετά από τέσσερις ώρες υπηρεσίας κάθε φορά, να αφαιρείτε την τάπα (A), να υγραίνετε την τσόχα μέχρι του σημείου κορεσμού και να πληρώνετε το δοχείο λαδιού με το συνιστώμενο τύπο λαδιού.



CP 0014

Καθημερινά, πριν από τη χρήση και μετά από τέσσερις ώρες υπηρεσίας κάθε φορά, να αφαιρείτε την τάπα (B) και να πληρώνετε το δοχείο λαδιού με το συνιστώμενο τύπο λαδιού.

Εργαλείο εισαγωγής

▲ ΠΡΟΣΟΧΗ Καυτό εργαλείο εισαγωγής

Το άκρο του εργαλείου εισαγωγής θερμαίνεται και γίνεται αιχμηρό κατά τη χρήση. Εάν το αγγίξετε, είναι δυνατόν να σας προκαλέσει εγκαύματα και κοψίματα.

- ▶ Μην αγγίζετε ποτέ ένα καυτό ή αιχμηρό εργαλείο εισαγωγής.
- ▶ Περιμένετε να κρυώσει το εργαλείο εισαγωγής πριν ξεκινήσετε οποιαδήποτε εργασία συντήρησης σε αυτό.

Επιλογή του σωστού εργαλείου εισαγωγής

Η επιλογή του σωστού εργαλείου εισαγωγής είναι προϋπόθεση για τη σωστή λειτουργία του μηχανήματος. Είναι σημαντικό να επιλέγετε εργαλεία εισαγωγής υψηλής ποιότητας για να αποφεύγετε την πρόκληση ζημιάς στο μηχάνημα.

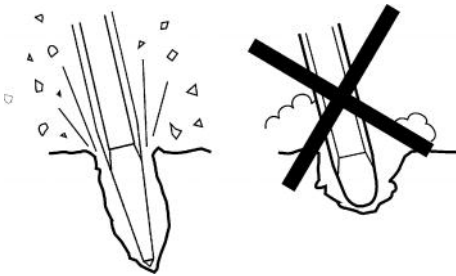
Το μηχάνημα μπορεί να καταστραφεί εάν χρησιμοποιήσετε ένα ακατάλληλο εργαλείο εισαγωγής.

Τα προτεινόμενα εργαλεία εισαγωγής παρατίθενται στον κατάλογο ανταλλακτικών του μηχανήματος.

▲ ΠΡΟΕΙΔΟΠΟΙΗΣΗ Κίνδυνος από κραδασμούς

Εργαλεία που δεν πληρούν τα προαναφερθέντα κριτήρια χρειάζονται περισσότερο χρόνο για να ολοκληρώσουν την εργασία και ενδέχεται να προκαλέσουν αύξηση της στάθμης των κραδασμών στους οποίους εκτίθεται ο χειριστής. Ένα φθαρμένο εργαλείο αυξάνει το χρόνο εργασίας.

- ▶ Να βεβαιώνετε ότι το εργαλείο εισαγωγής είναι σωστά συντηρημένο, δεν είναι φθαρμένο και έχει το κατάλληλο μέγεθος.
- ▶ Να χρησιμοποιείτε πάντοτε αιχμηρό εργαλείο για να μπορείτε να εργάζεστε αποτελεσματικά.



ΕΙΔΟΠΟΙΗΣΗ Μην ψύχετε ποτέ ένα καυτό εργαλείο εισαγωγής μέσα σε νερό, ενδέχεται να επέλθει ευθραυστότητα και πρόωρη αστοχία.

▲ ΠΡΟΕΙΔΟΠΟΙΗΣΗ Εκτίναξη εργαλείου εισαγωγής

Εάν το εργαλείο εισαγωγής του εργαλείου στο μηχάνημα δεν είναι στη θέση ασφάλισης, το εργαλείο εισαγωγής ενδέχεται να εκτιναχθεί με δύναμη και να προκαλέσει τραυματισμό.

- ▶ Πριν από την αλλαγή του εργαλείου εισαγωγής, διακόψτε τη λειτουργία του μηχανήματος, διακόψτε την παροχή πεπιεσμένου αέρα και εξαερώστε το μηχάνημα ενεργοποιώντας τη διάταξη εκκίνησης/διακοπής της λειτουργίας.

Πριν από την τοποθέτηση του διατρητικού στελέχους

Βεβαιωθείτε ότι το στέλεχος του εργαλείου έχει το κατάλληλο μέγεθος και μήκος για το χρησιμοποιούμενο σφιγκτήρα (τσοκ). Το στέλεχος πρέπει να είναι καθαρό και το εργαλείο να είναι σε καλή κατάσταση λειτουργίας. Τα στελέχη από τα οποία έχουν αποσπασθεί μικρά τεμάχια, είναι στρογγυλεμένα, και όχι τετραγωνισμένα ή είναι πολύ σκληρά στο άκρο κρούσης δεν θα λειτουργούν αποτελεσματικά και θα προκαλέσουν πρόωμη αστοχία του εμβόλου.

Επιθεωρήστε το διατρητικό στέλεχος:

Ένα αμβλύ διατρητικό στέλεχος μειώνει την ταχύτητα διάτρησης και καταπονεί υπερβολικά το μηχανισμό διάτρησης. Κατά την αλλαγή διατρητικού στελέχους, φροντίστε ώστε το νέο στέλεχος να έχει το κατάλληλο μέγεθος ώστε να αντιστοιχεί στην υπάρχουσα διάμετρο.

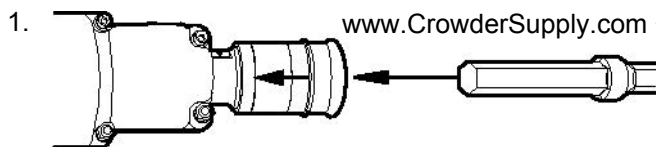
Πριν από τη διάτρηση, βεβαιωθείτε ότι η σπή απέμφραξης στο διατρητικό στέλεχος δεν παρουσιάζει έμφραξη.

Εάν υπάρχουν ανασηκωμένα γρέζια γύρω από τις τέσσερις σφαιρικές υποδοχές του στελέχους του διατρητικού, φροντίστε για την κατάλληλη λείανσή τους. Έτσι επιτυγχάνεται τοποθέτηση και αφαίρεση του διατρητικού στελέχους με μεγαλύτερη ευκολία, όπως και αποτελεσματική λειτουργία του σφιγκτήρα.

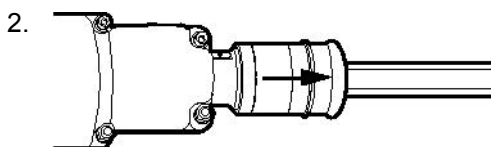
Τοποθέτηση εργαλείου εισαγωγής

Κάθε φορά που τοποθετείται το εργαλείο εισαγωγής, απαιτείται τήρηση των ακόλουθων οδηγιών:

CP 0009

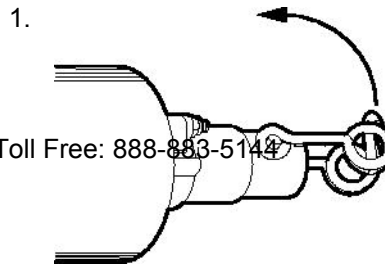


Τραβήξτε προς τα πίσω τη διάταξη συγκράτησης του εργαλείου, προς την κατεύθυνση του βέλους και κρατήστε την σε αυτήν τη θέση, ταυτόχρονα εισάγετε το εργαλείο εισαγωγής στο σφιγκτήρα.

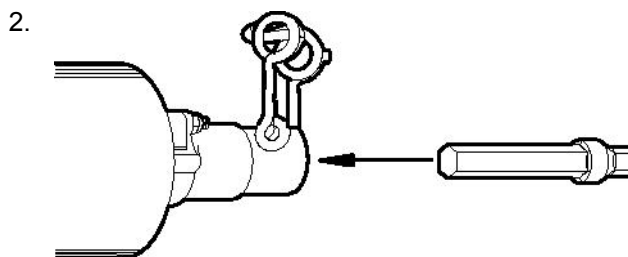


Όταν εργαλείο εισαγωγής τερματίσει, ασφαλίστε τη διάταξη συγκράτησης ελευθερώνοντάς την. Ελέγξτε τη λειτουργία ασφάλισης τραβώντας το τοποθετημένο εργαλείο απότομα προς τα έξω.

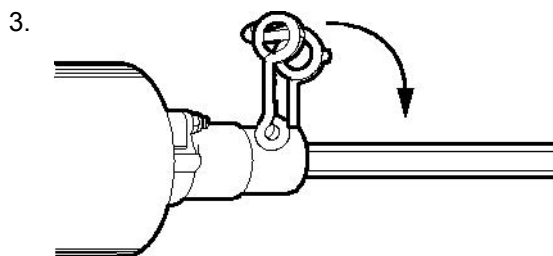
CP 0014



Ωθήστε τη διάταξη συγκράτησης του εργαλείου προς τα άνω, προς την κατεύθυνση του βέλους.



Εισάγετε το εργαλείο εισαγωγής στο σφιγκτήρα.

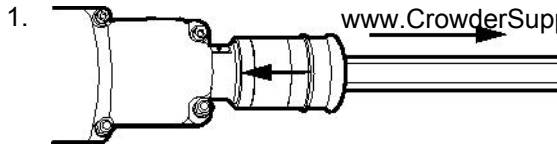


Όταν το εργαλείο εισαγωγής τερματίσει, ωθήστε τη διάταξη συγκράτησης του εργαλείου προς τα πίσω ώστε να ασφαλιστεί.

Αφαίρεση εργαλείου εισαγωγής

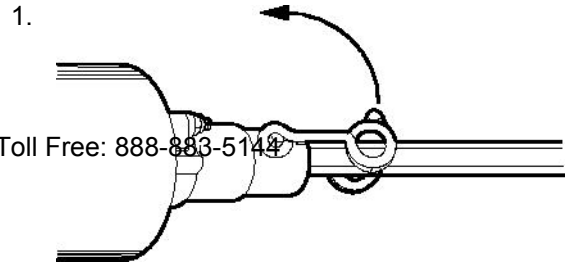
Κάθε φορά που αφαιρείται το εργαλείο εισαγωγής, απαιτείται τήρηση των ακόλουθων οδηγιών:

CP 0009

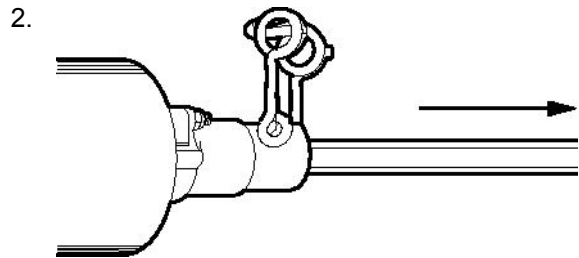


Τραβήξτε προς τα πίσω τη διάταξη συγκράτησης του εργαλείου, προς την κατεύθυνση του βέλους και κρατήστε την σε αυτήν τη θέση, ταυτόχρονα αφαιρέστε το εργαλείο συγκράτησης τραβώντας το έξω.

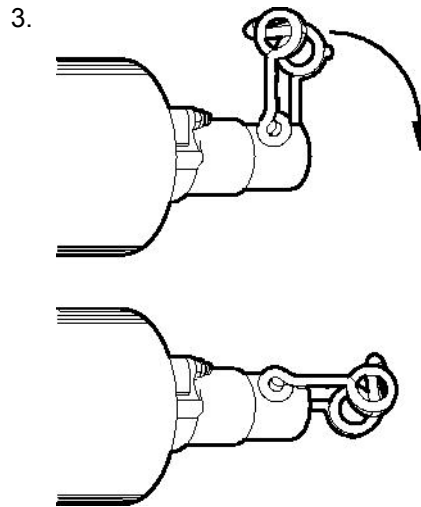
CP 0014



Ωθήστε τη διάταξη συγκράτησης του εργαλείου προς τα άνω, προς την κατεύθυνση του βέλους.



Τραβήξτε το εργαλείο εισαγωγής έξω.



Ωθήστε τη διάταξη συγκράτησης του εργαλείου προς τα πίσω.

Χειρισμός

Προετοιμασίες πριν ξεκινήσετε

Έλεγχος εξοπλισμού

- ◆ Βεβαιωθείτε ότι το σύνολο του εξοπλισμού είναι σε καλή κατάσταση λειτουργίας.
- ◆ Βεβαιωθείτε ότι η επιφάνεια κρούσης του στελέχους του εργαλείου εισαγωγής είναι επίπεδη, χωρίς ίχνη φθοράς.
- ◆ Βεβαιωθείτε ότι οι οπές εισαγωγής και εξαγωγής αέρα δεν παρουσιάζουν έμφραξη.
- ◆ Βεβαιωθείτε ότι η οπή απέμφραξης στο διατηρητικό στέλεχος δεν παρουσιάζει έμφραξη και ότι ο αέρας απέμφραξης διέρχεται χωρίς να παρεμποδίζεται.
- ◆ Βεβαιωθείτε ότι τα εξαρτήματα είναι καλά σφιγμένα και δεν παρουσιάζουν διαρροή.

⚠ ΚΙΝΔΥΝΟΣ Μη ελεγχόμενες κινήσεις του εύκαμπτου σωλήνα

Σε περίπτωση αποσύνδεσης εύκαμπτου σωλήνα πεπιεσμένου αέρα στα σημεία σύνδεσης ενώ βρίσκεται υπό πίεση, μπορεί να κινηθεί με μεγάλη ταχύτητα και δύναμη και να προκαλέσει τραυματισμό ή θάνατο.

- ▶ Βεβαιωθείτε ότι ο εύκαμπτος σωλήνας πεπιεσμένου αέρα και οι συνδέσεις δεν έχουν υποστεί ζημία.
- ▶ Βεβαιωθείτε ότι όλες οι συνδέσεις πεπιεσμένου αέρα είναι κατάλληλα προσαρμοσμένες.

Φυσήξτε αέρα στον εύκαμπτο σωλήνα

- ◆ Κάθε ημέρα πριν από τη χρήση του διατηρητικού, φυσήξτε αέρα στον εύκαμπτο σωλήνα για να τον καθαρίσετε από τυχόν συσσωρευμένες ακαθαρσίες και υγρασία.

Πληρώστε το λιπαντήρα με λάδι

- ◆ Να ελέγχετε ότι ο σφιγκτήρας και το διατηρητικό στέλεχος είναι πάντα καλυμμένα με φιλμ λαδιού.

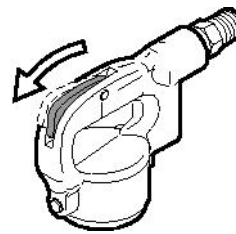
Εκκίνηση και τερματισμός λειτουργίας

⚠ ΠΡΟΕΙΔΟΠΟΙΗΣΗ Ακούσια εκκίνηση

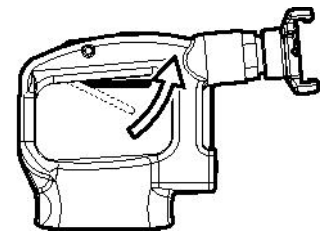
Η ακούσια εκκίνηση του μηχανήματος ενδέχεται να προκαλέσει τραυματισμό.

- ▶ Να κρατάτε τα χέρια σας μακριά από τη διάταξη εκκίνησης/διακοπής της λειτουργίας, έως ότου είστε έτοιμοι να θέσετε το μηχάνημα σε λειτουργία.
- ▶ Μάθετε πώς τίθεται το μηχάνημα εκτός λειτουργίας σε περίπτωση έκτακτης ανάγκης.
- ▶ Διακόψτε αμέσως τη λειτουργία του μηχανήματος, σε όλες τις περιπτώσεις διακοπής της παροχής ρεύματος.

Εκκίνηση και διακοπή

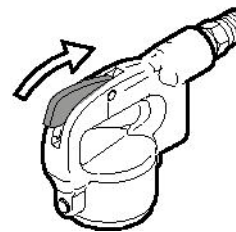


CP 0014

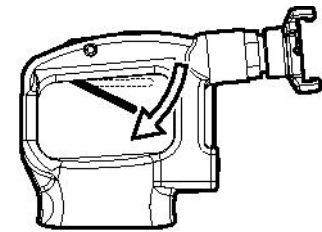


CP 0009

Θέστε το μηχάνημα σε λειτουργία πιέζοντας τη σκανδάλη, ενώ κρατάτε σταθερά τη λαβή.



CP 0014



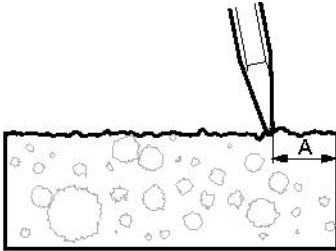
CP 0009

Διακόψτε τη λειτουργία του μηχανήματος ελευθερώνοντας τη σκανδάλη. Η σκανδάλη επανέρχεται αυτόματα στη θέση διακοπής λειτουργίας.

Χειρισμός

Έναρξη κοπής

- ♦ Σταθείτε σε σταθερή θέση με τα πόδια σας σε απόσταση από το εργαλείο εισαγωγής.
- ♦ Πιέστε το μηχάνημα πάνω στην επιφάνεια εργασίας πριν ξεκινήσετε.
- ♦ Αρχίστε να δημιουργείτε το κολάρο εφαρμογής σε τέτοια απόσταση από το άκρο του μηχανήματος, ώστε το μηχάνημα να είναι σε θέση να σπάσει το υλικό χωρίς να απαιτείται στήριξη.
- ♦ Μην προσπαθείτε ποτέ να σπάσετε υπερβολικά μεγάλα τεμάχια. Ρυθμίστε την απόσταση θραύσης (A), ώστε να μην κολλήσει το εργαλείο εισαγωγής.



Εργασίες θραύσης και διάτρησης

- ♦ Να χρησιμοποιείτε προστατευτικά παπούτσια, γάντια, κράνος, προστατευτικά ακοής και γυαλιά ασφαλείας ανθεκτικά σε κρούσεις με πλευρική προστασία.
- ♦ Να αποφεύγετε την εργασία σε εξαιρετικά σκληρά υλικά, όπως γρανίτης και σίδηρα ενίσχυσης (ράβδοι οπλισμού) που μπορούν να προκαλέσουν σημαντικούς κραδασμούς.
- ♦ Να ελέγχετε τακτικά ότι το μηχάνημα λιπαίνεται επαρκώς.
- ♦ Όταν το μηχάνημα είναι ανυψωμένο, απαγορεύεται η ενεργοποίηση της σκανδάλης.
- ♦ Οποιαδήποτε μορφή άεργης λειτουργίας, χωρίς εργαλείο εισαγωγής ή με το μηχάνημα ανυψωμένο πρέπει να αποφεύγεται.
- ♦ Να στέκεστε σταθερά και να κρατάτε πάντα το μηχάνημα και με τα δύο χέρια.
- ♦ Να συγκρατείτε το εργαλείο εισαγωγής σταθερά πάνω στην επιφάνεια εργασίας, πριν από την εκκίνηση του μηχανήματος.
- ♦ Αφήστε το μηχάνημα να κάνει τη δουλειά. Μην πιέζετε με υπερβολική δύναμη.

Όταν κάνετε διάλειμμα

- ♦ Στη διάρκεια των διαλειμμάτων πρέπει να τοποθετήσετε το μηχάνημα με τέτοιο τρόπο ώστε να μην υπάρχει κίνδυνος ακούσιας εκκίνησης.
- ♦ Σε περίπτωση διαλείμματος μεγάλης διάρκειας ή όταν φεύγετε από το χώρο εργασίας: Διακόψτε την παροχή ρεύματος και στη συνέχεια εξαιρώστε το μηχάνημα ενεργοποιώντας τη διάταξη εκκίνησης/διακοπής της λειτουργίας.

Συντήρηση

Η τακτική συντήρηση είναι βασική προϋπόθεση για τη συνεχή, ασφαλή και αποτελεσματική χρήση του μηχανήματος. Τηρήστε τις οδηγίες συντήρησης με προσοχή.

- ♦ Πριν αρχίσετε με τη συντήρηση του μηχανήματος, καθαρίστε το ώστε να αποφύγετε την έκθεση σε επικίνδυνες χημικές ουσίες. Βλ. ενότητα «Κίνδυνος λόγω σκόνης και αναθυμιάσεων»
- ♦ Να χρησιμοποιείτε μόνον εγκεκριμένα εξαρτήματα. Τυχόν ζημία ή δυσλειτουργία οφειλόμενη στη χρήση μη εγκεκριμένων εξαρτημάτων δεν καλύπτεται από την εγγύηση ή την ευθύνη για το προϊόν.
- ♦ Όταν καθαρίζετε μηχανικά εξαρτήματα με διαλυτικό, να συμμορφώνεστε με τους ισχύοντες κανονισμούς υγείας και ασφαλείας και να φροντίζετε ώστε ότι ο αερισμός να είναι επαρκής.
- ♦ Για εκτεταμένες εργασίες σέρβις του μηχανήματος, απευθυνθείτε στο πλησιέστερο εξουσιοδοτημένο συνεργείο.
- ♦ Μετά από κάθε εργασία σέρβις, να ελέγχετε εάν το επίπεδο κραδασμών του μηχανήματος είναι φυσιολογικό. Εάν όχι, απευθυνθείτε στο πλησιέστερο εξουσιοδοτημένο συνεργείο.

Κάθε ημέρα

Πριν από την εκτέλεση εργασιών συντήρησης ή αλλαγής του εργαλείου εισαγωγής σε μηχανήματα που λειτουργούν με πεπιεσμένο αέρα, να διακόπτετε πάντα την παροχή πεπιεσμένου αέρα και να εξαιρώνετε το μηχάνημα πιέζοντας τη διάταξη εκκίνησης/διακοπής της λειτουργίας, στη συνέχεια, να αποσυνδέετε τον εύκαμπτο σωλήνα αέρα από το μηχάνημα.

- ♦ Να καθαρίζετε και να επιθεωρείτε το μηχάνημα και τις λειτουργίες του, κάθε ημέρα πριν από την έναρξη της εργασίας.
- ♦ Να διενεργείτε γενική επιθεώρηση για διαρροές και ζημίες.
- ♦ Να βεβαιώνετε ότι το ρακόρ εισαγωγής αέρα είναι σφιγμένο και ότι η σύνδεση με σιαγόνες δεν έχει υποστεί ζημία.
- ♦ Να ελέγχετε τη λειτουργία της διάταξης συγκράτησης. Να φροντίζετε ώστε το εργαλείο εισαγωγής να ασφαρίζεται κατάλληλα.
- ♦ Να αντικαθιστάτε αμέσως τα εξαρτήματα που έχουν υποστεί ζημία.
- ♦ Να αντικαθιστάτε εγκαίρως τα εξαρτήματα που έχουν υποστεί φθορά.
- ♦ Να ελέγχετε τους διαμπερείς κοχλίες του μηχανήματος. Να φροντίζετε ώστε να είναι σφιγμένοι.
- ♦ Εάν το μηχάνημα είναι εφοδιασμένο με σιαστήρα, να ελέγχετε για ζημία.

www.CrowderSupply.com • Toll Free: 888-883-5144

Περιοδική συντήρηση

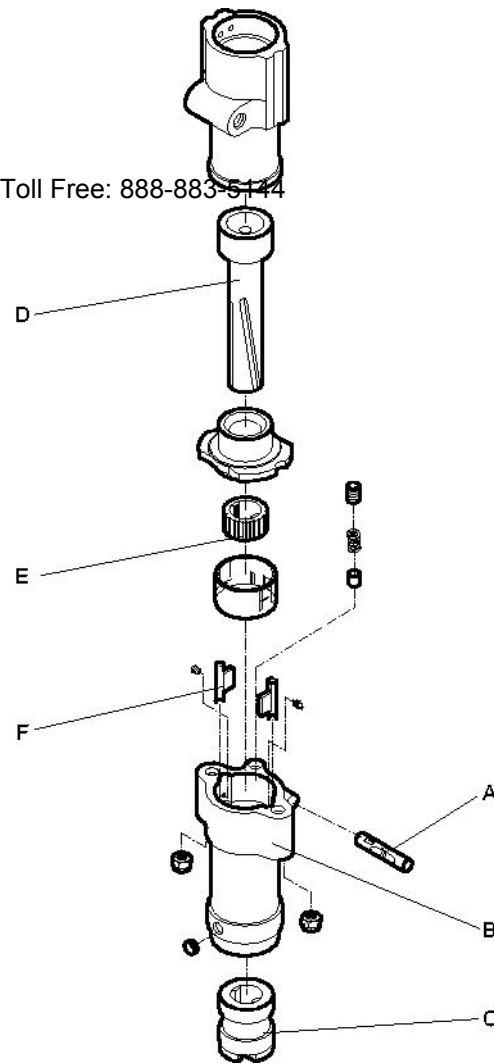
Μετά από κάθε περίοδο 100 ωρών εργασίας ή 3 φορές το χρόνο, το μηχάνημα πρέπει να αποσυναρμολογείται και όλα τα εξαρτήματα να καθαρίζονται και να ελέγχονται. Η εργασία αυτή πρέπει να εκτελείται από εξουσιοδοτημένο προσωπικό, εκπαιδευμένο σε εργασίες αυτού του είδους.

Ροπές σύσφιξης

CP 0009	Παξιμάδι διαμπερούς κοχλία	12-14 ft.lbf (16-19 Nm)
CP 0014	Παξιμάδι διαμπερούς κοχλία	20-23 ft.lbf (27-31 Nm)

Συναρμολόγηση

Κατά τη συναρμολόγηση του μηχανήματος, να έχετε υπόψη σας τα εξής:



- ♦ Τοποθετήστε το έμβολο μετακίνησης της διάταξης απασφάλισης περιστροφής (A) στην εμπρόσθια κεφαλή (B) πριν από τη συναρμολόγηση του χιτωνίου σφιγκτήρα (C).
- ♦ Φροντίστε ώστε ο ευθύς σφηνόδρομος του εμβόλου (D) να εμπλακεί στην ευθεία σφήνα του χιτωνίου σφιγκτήρα (C), και ο σπειροειδής σφηνόδρομος του εμβόλου (D) να εμπλακεί στη σπειροειδή σφήνα του δακτυλίου καστανίας (E).
- ♦ Συναρμολογήστε το δακτύλιο καστανίας (E) στην εμπρόσθια κεφαλή (B), ώστε τα επίπεδα τμήματα των δοντιών της καστανίας να εμπλακούν στα άκρα των ονύχων ασφάλισης (F).
- ♦ Σφίξτε τους διαμπερείς κοχλίες ομοιόμορφα, ώστε να αποτραπεί τυχόν εμπλοκή. Μετά από τη σύσφιξη, περιστρέψτε το σφιγκτήρα με το χέρι για να βεβαιωθείτε ότι η περιστροφή εκτελείται ελεύθερα.

Αποθήκευση

- > Καθαρίστε το μηχάνημα κατάλληλα πριν από τη φύλαξη, ώστε να αποτραπεί η συσσώρευση επικίνδυνων ουσιών. Βλ. ενότητα «Κίνδυνος λόγω σκόνης και αναθυμιάσεων» www.CrowderSupply.com • Toll Free: 888-883-5144
- > Ρίξτε περίπου ½ oz (5 cl) λάδι απευθείας μέσα στο ρακόρ εισαγωγής αέρα, συνδέστε το μηχάνημα στην παροχή πεπιεσμένου αέρα και θέστε το μηχάνημα σε λειτουργία για μερικά δευτερόλεπτα.
- > Να φυλάσσεται πάντα το μηχάνημα σε στεγνό χώρο.

Απόρριψη

Ένα μεταχειρισμένο μηχάνημα πρέπει να απορρίπτεται με τέτοιο τρόπο και βάσει των τοπικών περιορισμών, ώστε η ανακύκλωση του μεγαλύτερου μέρους των υλικών να είναι εφικτή και οι τυχόν αρνητικές επιπτώσεις στο περιβάλλον να ελαχιστοποιούνται.

Τεχνικά δεδομένα

Δεδομένα μηχανήματος

www.CrowderSupply.com • Toll Free: 888-883-5144

Τύπος	Διάσταση στελέχους in. (mm)	Βάρος lb (kg)	Διάμετρος εμβόλου in. (mm)	Μήκος διαδρομής in. (mm)	Συνολικό μήκος in. (mm)	Κατανάλωση αέρα (6 bar) cfm (l/s)	Ρυθμός κρούσης (6 bar) Hz
CP 0009 A	Κυκλικό ¾ x 3¼ (Κυκλικό 19 x 95)	8,82 (4,0)	1,25 (31,8)	1,38 (35)	14,76 (375)	19 (9)	57 (3420)
CP 0009 AC	Κυκλικό ¾ x 3¼ (Κυκλικό 19 x 95)	8,82 (4,0)	1,25 (31,8)	1,38 (35)	14,76 (375)	19 (9)	57 (3420)
CP 0009 CS	Κυκλικό ¾ x 3¼ (Κυκλικό 19 x 95)	10,14 (4,6)	1,25 (31,8)	1,38 (35)	14,76 (375)	19 (9)	57 (3420)
CP 0009 E	Κυκλικό ¾ - Εξαγωνικό ⅝ x 3½ (Κυκλικό 19 - Εξαγωνικό 14,7 x 89)	8,82 (4,0)	1,25 (31,8)	1,38 (35)	14,76 (375)	19 (9)	57 (3420)
CP 0009 ES	Κυκλικό ¾ - Εξαγωνικό ⅝ x 3½ (Κυκλικό 19 - Εξαγωνικό 14,7 x 89)	10,14 (4,6)	1,25 (31,8)	1,38 (35)	14,76 (375)	19 (9)	57 (3420)
CP 0009 F	πολύσφηνο	8,82 (4,0)	1,25 (31,8)	1,38 (35)	14,76 (375)	19 (9)	57 (3420)
CP 0014 RR	Εξαγωνικό ⅞ x 3¼ (Εξαγωνικό 22 x 82,5)	14,77 (6,7)	1,87 (47,6)	1,38 (35)	15,50 (470)	47 (22)	42 (2520)
CP 0014 RRBS	Εξαγωνικό ⅞ x 3¼ (Εξαγωνικό 22 x 82,5)	15,87 (7,2)	1,87 (47,6)	1,38 (35)	15,50 (470)	47 (22)	42 (2520)

Δήλωση εκπομπών θορύβου και κραδασμών

Εγγυημένη στάθμη ηχητικής ισχύος **L_w** κατά ISO 3744 σύμφωνα με την οδηγία 2000/14/EK.

Στάθμη ηχητικής πίεσης **L_p** σύμφωνα με το ISO 11203.

Τιμή κραδασμών **A** και αβεβαιότητα **B** προσδιοριζόμενη σύμφωνα με ISO 20643. Βλ. πίνακα «Δεδομένα θορύβου και κραδασμών» για τις τιμές A, B, κ.λ.π.

Αυτές οι δηλωμένες τιμές, έχουν προκύψει από δοκιμές εργαστηριακού τύπου σύμφωνα με την αναφερόμενη οδηγία ή πρότυπα και είναι κατάλληλες για σύγκριση με τις δηλωμένες τιμές για άλλα εργαλεία τα οποία έχουν υποβληθεί σε δοκιμές σύμφωνα με την ίδια οδηγία ή πρότυπα. Αυτές οι δηλωμένες τιμές δεν είναι κατάλληλες για χρήση σε αξιολογήσεις κινδύνου και οι τιμές μέτρησης σε διαφορετικούς χώρους εργασίας ενδέχεται να είναι υψηλότερες. Οι πραγματικές τιμές έκθεσης και ο κίνδυνος βλάβης για μεμονωμένο χρήστη είναι μοναδικές και εξαρτώνται από τον τρόπο με τον οποίο εργάζεται ο χρήστης, από το υλικό στο οποίο χρησιμοποιείται το μηχάνημα, από το χρόνο έκθεσης και τη φυσική κατάσταση του χρήστη, όπως και την κατάσταση του μηχανήματος.

Εμείς, η Atlas Corpc Construction Tools AB, δεν αναλαμβάνουμε την ευθύνη για τις συνέπειες της χρήσης των δηλωμένων τιμών αντί των τιμών που αντιστοιχούν στον πραγματικό χρόνο έκθεσης, σε μια κατάσταση μεμονωμένης αξιολόγησης κινδύνου σε χώρο εργασίας τον οποίο δεν ελέγχουμε.

Το εργαλείο αυτό ενδέχεται να προκαλέσει σύνδρομο κραδασμών καρπού-βραχίονα, εάν δεν χρησιμοποιείται με κατάλληλο τρόπο. Μπορείτε να ανατρέξετε σε οδηγό της EE σχετικά με την αντιμετώπιση των κραδασμών καρπού-βραχίονα στον ιστότοπο <http://www.humanvibration.com/EU/VIBGUIDE.htm>

Συνιστούμε ένα πρόγραμμα παρακολούθησης υγείας για την έγκαιρη αναγνώριση των αρχικών συμπτωμάτων τα οποία ενδέχεται να σχετίζονται με την έκθεση σε κραδασμούς, ώστε να είναι δυνατή η τροποποίηση των διαδικασιών διαχείρισης και να αποτρέπονται σοβαρές αναπηρίες στο μέλλον.

Δεδομένα θορύβου και κραδασμών

Μοντέλο	Θόρυβος		Κραδασμοί	
	Δηλωμένες τιμές		Δηλωμένες τιμές	
	Μηχανική πίεση	Ισχύς θορύβου	Τιμές τριών αξόνων	
	ISO 11203	2000/14/EK	ISO 20643	
	Lp r=1m dB(A) rel 20μPa	Lw εγγυημένο dB(A) rel 1pW	A m/s ² τιμή	B m/s ² διάδοση
CP 0009 A (για θραύση)	-	-	20,2	2,5
CP 0009 A (για διάτρηση)	-	-	21,2	2,6
CP 0009 AC (για θραύση)	-	-	20,2	2,5
CP 0009 AC (για διάτρηση)	-	-	21,2	2,6
CP 0009 CS (για θραύση)	88	103	20,2	2,5
CP 0009 CS (για διάτρηση)	88	103	21,2	2,6
CP 0009 E (για θραύση)	-	-	20,2	2,5
CP 0009 E (για διάτρηση)	-	-	21,2	2,6
CP 0009 ES (για θραύση)	88	103	20,2	2,5
CP 0009 ES (για διάτρηση)	88	103	21,2	2,6
CP 0009 F (για θραύση)	-	-	20,2	2,5
CP 0009 F (για διάτρηση)	-	-	21,2	2,6
CP 0014 RR (για θραύση)	-	-	35,4	4,5
CP 0014 RR (για διάτρηση)	-	-	45,3	5,2
CP 0014 RRBS (για θραύση)	-	-	35,4	4,5
CP 0014 RRBS (για διάτρηση)	-	-	45,3	5,2

Δήλωση Συμμόρφωσης της ΕΚ

Δήλωση Συμμόρφωσης της ΕΚ (Οδηγία ΕΚ 2006/42/ΕΚ)

Εμείς, η Atlas Copco Construction Tools AB, δια του παρόντος δηλώνουμε ότι τα μηχανήματα τα οποία αναγράφονται κατωτέρω συμμορφώνονται με τις προβλέψεις των Οδηγιών της ΕΚ 2006/42/ΕΚ (Οδηγία περί Μηχανημάτων).

Φορητές περιστροφικές σφύρες	Pmax (bar)
CP 0009 CS	6.2
CP 0009 ES	6.2

Εξουσιοδοτημένος εκπρόσωπος τεχνικής τεκμηρίωσης:

Erik Sigfridsson
 Atlas Copco Construction Tools AB
 Dragonvägen 2
 Kalmar

Γενικός Διευθυντής:

Erik Sigfridsson

Κατασκευαστής:

Atlas Copco Construction Tools AB
 105 23 Stockholm
 Sweden

Τόπος και ημερομηνία:

Kalmar, 2010-04-01

www.CrowderSupply.com • Toll Free: 888-883-5144

Crowder Supply Co., Inc. • 8495 Roslyn St., Commerce City, CO 80022 • Toll Free: 888-883-5144 • www.CrowderSupply.com

SUOMI

Sisällys

Johdanto	www.CrowderSupply.com • Toll-Free: 888-883-5144.....	181
Tietoja turvallisuusohjeista ja käyttöohjeesta		181
Turvallisuusohjeet		182
Turvasignaali-tekstit.....		182
Henkilökohtaiset varotoimenpiteet ja valmiudet.....		182
Asennus, varotoimenpiteet.....		182
Käyttö, varotoimenpiteet.....		183
Huolto, varotoimenpiteet.....		187
Varastointi, varotoimenpiteet.....		187
Yleistä		188
Rakenne ja toiminta.....		188
Tärkeimmät osat.....		188
Tarrat.....		188
Asennus		189
Poran purkaminen pakkauksesta.....		189
Letkut ja liitännät.....		189
Jäätymisen estämismenetelmiä.....		190
Vedenerottimen liittäminen.....		190
Voitelu.....		190
Työkalu.....		190
Käyttö		193
Toimenpiteet ennen aloitusta.....		193
Käynnistys ja pysäytys.....		193
Käyttö.....		194
Poistuessasi tauolle.....		194
Huolto		194
Päivittäin.....		195
Määräaikaishuollot.....		195
Kirstysmomentit.....		195
Kokoonpano.....		195
Varastointi		196
Käytöstä poisto		196
Tekniset tiedot		197
Koneen tiedot.....		197
Melu- ja värinärvoilmoitus.....		197
Melu- ja värinäätiedot.....		198
CE-vaatimustenmukaisuusvakuutus		199
CE-vaatimustenmukaisuusvakuutus (EY-direktiivi 2006/42/EY).....		199

Johdanto

Kiitos kun valitsit Chicago Pneumatic -tuotteen! Chicago Pneumatic on jo yli 100 vuoden ajan ollut paineilmantyökaluteollisuuden innovatiivinen uranuurtaja.

www.CrowderSupply.com • Toll Free: 888-883-5144

Nykyisin Chicago Pneumatic toimii kaikkialla maailmassa tarjoten laajan valikoiman paineilma- ja hydraulikäyttöisiä työkaluja kuten iskuvasaroita, kallioporakoneita, piikkauskoneita, paineilmakankia, katkaisutyökaluja, betonihakkureita, pumppuja ja paljon muita.

Chicago Pneumaticin päämääränä on ollut aina tarjota asiakkailleen tehokkaita, luotettavia ja helposti huollettavia sekä edullisia tuotteita.

Lisätietoja on verkko-osoitteessa www.cp.com

Atlas Copco Construction Tools AB
105 23 Stockholm
Ruotsi

Tietoja turvallisuusohjeista ja käyttöohjeesta

Ohjeiden tarkoituksena on neuvoa käyttäjille kallioporakoneen tehokas ja turvallinen käyttötapa. Ohjeissa neuvotaan myös, miten tehdään kallioporakoneen säännönmukaiset kunnossapitotoimenpiteet.

Ennen kallioporakoneen käyttöönottoa sinun on perehdyttävä näihin ohjeisiin perusteellisesti.

Turvallisuusohjeet

Ennen kuin alat asentaa, käyttää, korjata tai huoltaa konetta tai vaihtaa sen lisävarusteita, perehdy turvallisuusohjeisiin ja käyttöohjeeseen.

Turvallisuusohjeita noudattamalla vältetään vakavia vammautumisia ja hengenvaaraa.

Toimita nämä turvallisuusohjeet ja käyttöohje työkohteisiin ja anna työntekijöille kopiot. Varmista, että kaikki konetta käsittelevät perehtyvät turvallisuusohjeisiin ja käyttöohjeeseen ennen koneen käyttöä tai huoltotöitä.

Lisäksi koneen käyttäjän tai hänen työnantajansa tulee arvioida koneen käytöstä johtuvat erityiset työturvallisuusriskit.

Turvasignaali-tekstit

Turvasignaali-tekstit Vaara, Varoitus ja Huomio tarkoittavat seuraavaa:

VAARA	Välitön vaaratilanne, jonka laiminlyönti johtaa hengenvaaraan tai vakavaan vammautumiseen.
VAROITUS	Välitön vaaratilanne, jonka laiminlyönti voi johtaa hengenvaaraan tai vakavaan vammautumiseen.
HUOMIO	Mahdollinen vaaratilanne, jonka laiminlyönti voi johtaa vähäiseen tai lievään vammaan.

Henkilökohtaiset varoimenpiteet ja valmiudet

Vain ammattitaitoiset ja koulutetut henkilöt saavat käyttää tai huoltaa konetta. Heidän täytyy olla riittävän voimakkaita käsittelemään painavaa työkalua. Luota aina terveeseen järkeen ja älä tee mitään harkitsematonta.

Henkilökohtainen suojarustus

Käytä aina hyväksytyjä suojarusteita. Koneen käyttäjän ja muiden työalueella olevien henkilöiden on käytettävä henkilösuojaimia, vähintään:

- > suojakypärää
- > kuulonsuojaimia
- > sivusuojilla varustettuja iskunkestäviä suojalaseja
- > hengityssuojaimia tilanteen sitä edellyttäessä

- > suojakäsineitä
- > asianmukaisia turvasaappaita
- > asianmukaisia työhaalareita tai vastaanvanlaisia vaatteita (ei löysiä), jotka peittävät käsivarret ja sääret.

Huumeet ja alkoholin tai lääkkeiden käyttö

▲ VAROITUS Huumeet ja alkoholin tai lääkkeiden käyttö

Huumeet, alkoholi tai lääkkeet voivat heikentää arvostelukykysi ja keskittymistäsi. Reagointikyvyn heikkeneminen ja väärät tilannearviot voivat johtaa vakavaan vammautumiseen tai hengenvaaraan.

- ▶ Älä käytä konetta, jos olet väsynyt tai huumeiden, alkoholin tahi lääkkeiden vaikutuksen alaisena.
- ▶ Huumeiden, alkoholin tai lääkkeiden vaikutuksen alaisena oleva henkilö ei saa käyttää konetta.

Asennus, varoimenpiteet

▲ VAARA Ympäristöä piiskaava paineilmaletku

Irti päässyt paineilmaletku voi iskeytyä hallitsemattomasti ja aiheuttaa henkilövahingon tai hengenvaarallisia tilanteita. Vaaratilanteiden estämiseksi:

- ▶ Tarkista, että paineilmaletku ja sen liittimet ovat ehjät. Tarvittaessa vaihda osat uusiin.
- ▶ Tarkista, että paineilmaletkun kaikki liittimet ovat oikein paikallaan.
- ▶ Älä koskaan kanna paineilmakäyttöistä konetta sen ilmaletkun varassa.
- ▶ Älä koskaan yritä irrottaa paineistettuna olevaa ilmaletkua liitännästä. Katkaise ensin paineilman tulo kompressorista ja tyhjennä sitten kone paineilmasta painamalla liipaisinta.
- ▶ Älä koskaan osoita paineistetulla ilmaletkulla itseäsi tai ketään muuta. Loukkaantumista välttämiseksi älä koskaan yritä puhdistaa pölyä tai likaa vaatteistasi paineilmalla.
- ▶ Älä käytä työkalun kiinnitykseen pikaliittimiä. Käytä karkaistusta teräksestä (tai vastaavan iskunkestävyyden materiaalista) valmistettuja, paikalleen kierrettäviä letkunliittimiä.

- ▶ Käytettäessä yleismallisia, kierrettäviä liittimiä (kynsilittimiä) suosittelemme lukkotappien asentamista ja turvavaijereita, joilla estetään letkujen hallitsematonta piiskaamista, mikäli letkun ja työkalun liittämä tai letkuliitin rikkoutuu.

▲ VAROITUS Voimakkaasti sinkoutuva työkalu

Jos koneen työkalun pidike ei ole lukittu asentoonsa, työkalu voi sinkoutua voimakkaasti ja aiheuttaa henkilövahinkoja.

- ▶ Älä koskaan käynnistä konetta työkalun vaihtamisen ollessa kesken.
- ▶ Ennen työkalun tai lisävarusteiden vaihtamista pysäytä kone, kytke tehonsyöttö pois päältä ja tyhjennä kone painamalla liipaisinta.
- ▶ Älä koskaan osoita työkalulla itseäsi tai ketään muuta.
- ▶ Varmista ennen koneen käynnistämistä, että työkalu on täydellisesti paikallaan ja työkalun pidike on lukitusasennossa.
- ▶ Tarkista lukitustoiminnon pitävyys vetämällä paikalleen työnnettyä työkalua voimakkaasti ulospäin.

▲ VAROITUS Liikkumaan pääsevä tai irtoava työkalu

Työkalun väärän mittaisen varren käyttö voi johtaa työkalun putoamiseen tai äkilliseen irtoamiseen. Vakavan henkilövahingon vaara tai käsien ja sormien puristumisvaara.

- ▶ Tarkista, että käytettävän työkalun varren pituus ja mitat vastaavat koneen käyttötarkoitusta.
- ▶ Älä käytä työkalua, jossa ei ole kauluskappaletta.

Käyttö, varotoimenpiteet

▲ VAARA Räjähdyksivaara

Jos kuuma työkalu osuu räjähdysaineeseen, seurauksena voi olla räjähdys. Tietyntyyppisten materiaalien työstö ja tietyt koneen osissa käytettävät materiaalit voivat johtaa kipinöintiin ja materiaalien syttymiseen. Räjähdykset johtavat vakavaan vammautumiseen tai hengenvaaraan.

- ▶ Älä koskaan käytä konetta räjähdysriskissä ympäristössä.
- ▶ Älä koskaan käytä konetta herkästi syttyvien materiaalien, höyryjen tai pölyn läheisyydessä.
- ▶ Varmista, että lähellä ei ole mitään piileviä kaasunpurkaus- tai räjähdysläheteitä.

- ▶ Älä koskaan poraa vanhaan reikään.

▲ VAROITUS Odottamattomat liikkeet

Työkaluun kohdistuu koneen käytön aikana ankaraa rasitusta. Tietyn käyttöajan jälkeen työkalu voi rikkoutua tai juuttua, kone saattaa liikkua äkillisesti tai odottamattomaan suuntaan. Lisäksi tasapainon menetys tai liukastuminen voi johtaa henkilövahinkoon.

- ▶ Varmista, että sinulla on aina tukeva jalansija. Pyri säilyttämään mahdollisimman hyvä ja vakaa tasapaino pitämällä jalat riittävän etäällä toisistaan.
- ▶ Tutki laitteisto joka kerta ennen sen käyttöä. Älä koskaan käytä laitteistoa, jos epäilet sen olevan vaurioitunut.
- ▶ Varmista, että kahvat ovat puhtaat. Pyyhi pois mahdollinen rasva tai öljy.
- ▶ Pidä jalat etäällä työkalusta.
- ▶ Seiso vakaasti ja pidä aina molemmin käsin koneesta kiinni.
- ▶ Älä koskaan poraa vanhaan reikään.
- ▶ Älä koskaan käynnistä konetta sen ollessa maassa pitkällään.
- ▶ Älä tukeudu koneeseen pitämällä jalkaa kahvan päällä.
- ▶ Älä koskaan lyö tai kolhi mitään laitteiston osaa tahallasi.
- ▶ Tarkasta työkalun kuluneisuus säännöllisesti. Tarkasta myös, onko siinä näkyviä murtumia tai muita vaurioita.
- ▶ Keskity työhön, jota teet.

▲ VAROITUS Pyörivän koneen vaara

Jos poranterä takertuu käytön aikana, koko kone alkaa pyöriä akselinsa ympäri, jos irrotat otteesi siitä. Tällainen odottamaton pyöriminen voi aiheuttaa vakavia vammoja tai hengenvaaran.

- ▶ Seiso vakaasti ja pidä aina molemmin käsin koneesta kiinni.
- ▶ Varmista, että kahvat ovat puhtaat ja niissä ei ole rasvaa tai öljyä.
- ▶ Älä koskaan poraa vanhaan reikään.

▲ VAROITUS Takertumisvaara

Kaulaliina, hiukset, hansikkaat ja vaatteet voivat tarttua pyörivään poranterään tai lisävarusteisiin. Tämä saattaa johtaa kuristumiseen, ihon vaurioitumiseen, haavoittumiseen tai hengenvaaraan. Vaaratilanteita välttämiseksi.

- ▶ Älä koskaan yritä tarttua pyörivään poranterään tai koskettaa sitä.
- ▶ Älä käytä vaatteita, kaulaliinoja tai hansikkaita, jotka voivat takertua koneeseen.
- ▶ Sido pitkät hiukset hiusverkolla.

▲ VAROITUS Pölystä ja savukaasuista aiheutuvat vaaratilanteet

Koneen käytöstä syntyvä pöly ja savukaasut voivat aiheuttaa vakavia ja pysyviä hengitysteiden sairauksia, ammattitautteja tai muita henkilövammoja (esimerkiksi keuhko- tai sydäntautia). Pöly ja savukaasut voivat myös aiheuttaa peruuttamattoman hengenvaarallisen keuhkosairauden, syöpää, vaurioita syntyville lapsille ja/tai ihotulehduksia).

Poraamisen, iskuvasaroinnin, sahauksen, hionnan ja muiden rakennustöiden aikana syntyvät tietyt pölyt, huurut tai muut hengitysilmaan kulkeutuvat ainesosat saattavat sisältää kemikaaleja, jotka Kalifornian osavaltion tietojen mukaan aiheuttavat hengitysteiden sairauksia, syöpää sekä syntyville lapsille vaurioita tai muita ongelmia. Esimerkkejä tällaisista aineista ovat:

- > Kiteinen kvartsi, sementti ja muut muuraustuotteet.
- > Kemiallisesti käsitellystä kumista erittyvä arseeni ja kromi.
- > Lyijypohjaisista maaleista erittyvä lyijy.

Ilmassa kulkeutuva pöly ja savukaasut voivat olla paljaalle silmälle näkymättömiä, joten silminnähdessä ei voida aina päätellä, onko ilmassa pölyä ja savukaasuja.

Estä altistumista pölylle ja savukaasuille seuraavilla toimenpiteillä:

- ▶ Tee työmaakohtainen riskianalyysi. Riskianalyysissä tulee ottaa huomioon koneen käytöstä johtuvat pöly ja savukaasut ja lisäksi kohteessa jo olevan pölyn leviäminen työn vaikutuksesta.
- ▶ Työkohteessa on käytettävä asianmukaisia ilmanvaihtolaitteistoja, joilla vähennetään pölyn ja savukaasujen määrää ilmassa sekä pölyn kerääntymistä laitteiden, pintojen vaatteiden ja kehon osien päälle. Esimerkkejä puhdistuslaitteistoista ovat: alipaineiset ilmanvaihto- ja pölynkeruujärjestelmät, veden suihkuttaminen ja märkäpora. Estä pölyämistä ja savukaasujen syntymistä jo niiden lähteessä, mikäli mahdollista. Varmista, että puhdistuslaitteistot asennetaan ja huolletaan asianmukaisesti ja että niitä käytetään oikein.
- ▶ Käytä työsuojelu- ja turvamääräysten mukaisia hengityssuojaimia työnantajan ohjeistamalla tavalla. Hengityssuojainten on sovellettava käsiteltävien materiaalien aiheuttamien haittojen ehkäisyyn (ja tietyissä tapauksissa niille tulee olla vastaavan hallintoviranomaisen hyväksyntä).
- ▶ Varmista työalueen ilmanvaihdon riittävyys.

- ▶ Jos kone tuottaa pakokaasuja, suuntaa ne pois siten, että ne eivät aiheuta pölyämishaittojen lisääntymistä työympäristössä.
- ▶ Käytä ja huolla konetta tässä käyttöohjeessa ja turvallisuusohjeissa kuvatulla tavalla.
- ▶ Käytä oikean tyyppisiä työkaluja ja kulutusosia ja huolla niitä tässä käyttöohjeessa kuvatulla tavalla. Väärän tyyppisten työkalujen ja kulutusosien käyttö tai niiden virheellisesti tehdyt huollot ja väärä käyttötapa voivat johtaa pölyn ja savukaasujen tarpeettomaan lisääntymiseen.
- ▶ Käytä pestäviä tai kertakäyttöisiä suojavaatteita ollessasi työmaalla. Käy suihkussa ja vaihda puhtaat vaatteet ennen kuin lähdet työpaikalta, jotta sinä, muut ihmiset, autot, asunnot ja muut paikat eivät pääse altistumaan pölylle ja savukaasuille.
- ▶ Vältä syömistä, juomista tai tupakointia alueilla, joissa ilmassa on pölyä ja savukaasuja.
- ▶ Pese kätesi ja kasvosuosi huolellisesti heti altistumista aiheuttavalta työskentelyalueelta poistumisen jälkeen ja aina ennen kuin syöt, juot tai tupakoit tai olet yhteydessä muihin henkilöihin.
- ▶ Noudata kaikkia voimassa olevia lakeja ja määräyksiä, myös työpaikkakohtaisia työsuojelua turvamääräyksiä.
- ▶ Osallistu työnantajan tai ammattijärjestöjen järjestämiin ja työsuojelulainsäädännön edellyttämiin ja suositeltuihin terveystarkastuksiin sekä ilmanseuranta- ja koulutusohjelmiin. Kysy tarvittaessa lisäohjeita työterveyslääkäriltä.
- ▶ Toimi yhteistyössä työnantajasi ja ammattijärjestön kanssa, jotta pölylle ja savukaasuille altistuminen voidaan välttää työmaalla parhaalla mahdollisella tavalla. Työmaalle on laadittava työterveys- ja työsuojelualan asiantuntijoiden ohjeiden perusteella asianmukaiset työterveys- ja työturvallisuusohjelmat sekä menettelytapaohjeet, joilla voidaan suojata työntekijät ja muut alueella oleskelevat altistumiselta pölylle ja savukaasuille. Lisätietoja saat alan asiantuntijoilta.

▲ VAROITUS Sinkoutuvat esineet

Työstökappaleen, lisävarusteiden tai koneen vaurioitumisen johdosta ympäristöön voi levitä kovalla nopeudella sinkoutuvia esineitä. Töiden yhteydessä irtoavat kivensirut ja muut materiaalit voivat osua ympäristöön ja aiheuttaa osuessaan henkilövammoja käyttäjälle tai muille henkilöille. Vaaratilanteiden estämiseksi:

- ▶ Käytä työssä aina hyväksytyjä henkilösuojaimia ja suojakypärää, mukaan lukien sivusuojilla varustettuja, iskunkestäviä suojalaseja.
- ▶ Varmista, että sivulliset eivät pääse työalueelle.
- ▶ Pidä työskentelyalue vapaana vieraista esineistä.
- ▶ Varmista, että työstökappale on turvallisesti kiinnitetty paikalleen.

▲ VAROITUS Sirpalevaarat

Jos työkalua käytetään käsin tehtävään iskentään, kohteesta saattaa singota henkilövammoja aiheuttavia sirpaleita.

- ▶ Älä koskaan käytä työkalua lyömäesineenä. Ne on suunniteltu ja lämpökäsittely yksinomaan konekäyttöön.

▲ VAROITUS Liukastumis-, kompastumis- ja kaatumisvaarat

Työmaalla on esimerkiksi letkujen tai muiden esteiden johdosta liukastumis-, kompastumis- ja kaatumisvaara. Liukastuminen, kompastuminen tai kaatuminen voi aiheuttaa henkilövahinkoja. Vaaratilanteiden estämiseksi:

- ▶ Varmista, että omalla tai muiden henkilöiden reiteillä ei ole letkuja tai muita esteitä.
- ▶ Varmista, että sinulla on aina tukeva jalansija. Pyri säilyttämään mahdollisimman hyvä ja vakaa tasapaino pitämällä jalat riittävän etäällä toisistaan.

▲ VAROITUS Äkillisten liikkeiden aiheuttamat vaaratilanteet

Käyttäessäsi konetta työssä saatat tuntea epämukavaa tunnetta kämmenissä, käsivarsissa, olkapäissä, niskassa tai kehon muissa osissa.

- ▶ Ota aina mukavalta tuntuva, tukeva ja vakaa työasento.
- ▶ Jos työ kestää pitkään, vaihda ajoittain asentoa välttääksesi epämukavan tunteen ja väsymisen.
- ▶ Jos koet jatkuvia tai toistuvia rasituksesta johtuvia oireita, käänny työterveyslääkärin puoleen.

▲ VAROITUS Tärinävaarat

Koneen normaali ja oikea käyttötapa altistaa käyttäjän tärinöille. Säännöllinen ja toistuva altistuminen tärinöille voi aiheuttaa, myötävaikuttaa tai pahentaa vammoja tai terveydentilaan liittyviä ongelmia, joita käyttäjän sormille, Crowder Supply, Inc. • Toll Free: 888-883-5144 käsivarsille, olkapäille ja/tai hermosto- ja verenkiertojärjestelmälle tai muille kehon osille aiheutuu. Tällaisia ovat myös lihasten ja raajojen yleinen rappeutuminen ja/tai pysyvät vammat tai terveydentilaan liittyvät ongelmat, jotka saattavat kehittyä vähitellen viikkojen, kuukausien tai vuosien kuluessa. Näihin vammoihin tai terveydellisiin ongelmiin voi sisältyä verenkiertojärjestelmän vaurioituminen, hermojärjestelmän vaurioituminen, nivelten vaurioituminen ja mahdolliset vauriot muille kehon osille ja rakenteille.

Jos havaitset toistuvaa epämukavuuden tunnetta, puutumista, kuumotusta, kihelmöintiä, kipua, kankeutta, otteen heikentymistä, ihon vaalenemista tai tuntoherkkyyden alenemista käyttäessäsi konetta ja myös silloin, kun et käytä konetta, keskeytä työnteko, ilmoita asiasta työnantajalle ja käänny lääkärin puoleen. Koneen käytön jatkaminen mainittujen oireiden ilmenemisen jälkeen voi johtaa oireiden kehittymiseen vakaviksi ja/tai pysyviksi.

Käyttämällä ja huoltamalla konetta tässä käyttöohjeessa kuvatulla tavalla voidaan estää tarpeettomasti kohoavat tärinätasot.

Koneen käyttäjän altistumista tärinöille voi lieventää seuraavilla toimenpiteillä:

- ▶ Anna koneen tehdä työ. Pidä kahvasta kiinni mahdollisimman höllästi varmistaen kuitenkin, että säilytät koneen hallinnan ja että sen käyttö on koko ajan turvallista.
- ▶ Jos kone on varustettu tärinänevaimennuskahvoilla, pidä ne keskiasennossa ja vältä kahvojen puristamista ääriasentoihin saakka.
- ▶ Kun iskumekanismi aktivoituu, pidä kiinni koneen kahvasta tai kahvoista vain käsilläsi. Älä kosketa koneeseen muulla kehollasi. Älä esimerkiksi tue konetta kehollasi ja älä yritä lisätä syöttövoimaa nojaamalla kehollasi konetta vasten. Älä koskaan pidä liipaisinta suotta painettuna vetäessäsi konetta irti rikutusta pinnasta.
- ▶ Varmista, että koneessa oleva työkalu on aina hyvin huollettu (myös terävä, jos kyseessä on leikkausterä), se ei ole kulunut ja on oikean kokoinen. Työn tekeminen kestää kauemmin (ja samalla altistuminen tärinälle kestää kauemmin) huonosti huolletuilla, kuluneilla tai väärän kokoisilla työkaluilla, jolloin käyttäjä altistuu voimakkaammalle tärinälle tarpeettomasti.

- ▶ Jos kone alkaa yhtäkkiä tärinästä voimakkaasti, lopeta sen käyttäminen välittömästi. Ennen työn jatkamista selvitä ja korjaa lisääntyneiden tärinöiden syy.

- ▶ Älä koskaan tartu työkalusta äläkä kosketa sitä käytäessäsi konetta.

- ▶ Osallistu työnantajan järjestämiin ja lainsäädännön edellyttämiin terveystarkastuksiin ja koulutusohjelmiin.

- ▶ Työskennellessäsi kylmissä olosuhteissa pidä lämpimiä vaatteita ja pidä kädet lämpiminä ja kuivina.

Lue myös kohdan ”Melu- ja tärinäarvoilmoitus” tiedot ja niissä ilmoitetut tärinäarvot. Nämä tiedot löytyvät tämän turvallisuus- ja käyttöohjeen lopusta.

- ◆ Käytä konetta vain suositellulla paineilmasyötön voimakkuudella. Liian suuri tai normaalia pienempi paineilma voi johtaa tärinöiden lisääntymiseen.

▲ VAARA Sähkövirran aiheuttamat vaaratilanteet

Konetta ei ole eristetty sähköiskuja vastaan. Koneeseen kohdistuva sähkövirta saattaa johtaa vakavaan vammautumiseen tai hengenvaaraan.

- ▶ Älä koskaan käytä konetta sähköjohtojen tai muiden sähkölaitteiden lähellä.
- ▶ Varmista, että työskentelyalueella ei ole piileviä johtoja tai muita sähkölaitteita.

▲ VAROITUS Piilossa olevien esineiden aiheuttamat vaaratilanteet

Piilevät johdot tai putket aiheuttavat töiden yhteydessä vaaratilanteita, jotka voivat johtaa vakavaan vammautumiseen.

- ▶ Tarkista työstettävän materiaalin koostumus ennen töiden aloittamista.
- ▶ Pyri havaitsemaan mahdolliset piilevät sähköjohdot, vesi-, viemäri- ja kaasuputket sekä puhelinjohdot.
- ▶ Jos työkalu näyttää osuneen rakenteessa olevaan piilevään kohteeseen, sammuta kone välittömästi.
- ▶ Varmista ennen työn jatkamista, että vaaraa ei ole.

▲ VAROITUS Tahaton käynnistäminen

Koneen tahaton käynnistäminen saattaa aiheuttaa henkilövahingon.

- ▶ Koske liipaisimeen vasta käynnistäessäsi konetta.
- ▶ Opettele koneen sammuttaminen hätätilanteissa.
- ▶ Vapauta liipaisin välittömästi, jos koneen voimanlähteen käyttö estyy.
- ▶ Ennen työkalun asennusta tai irrotusta katkaise paineilmansyöttö, tyhjennä kone paineilmosta painamalla liipaisinta ja irrota kone tehonlähteestä.

▲ VAROITUS Meluvaarat

Korkeat melutasot voivat aiheuttaa pysyvien kuulovammojen ohella muita kuulo-ongelmia, esimerkiksi korvien tinnitusta (soimista, surinaa tai viheltävää tai humisevaa ääntä). Vaaratilanteiden ilmeneminen ja tarpeettomasti kohoavat melutasot voidaan estää:

- ▶ Suorittamalla näihin vaaratilanteisiin liittyvät riskianalyysit ja toteuttamalla niiden edellyttämät työsuojelutoimenpiteet.
- ▶ Käyttämällä ja huoltamalla konetta tässä käyttöohjeessa kuvatulla tavalla.
- ▶ Valitsemalla työkalun ja käyttämällä ja huoltamalla sitä tässä käyttöohjeessa kuvatulla tavalla.
- ▶ Jos koneessa on äänenvaimennin, tarkistamalla sen paikallaan olo ja käyttökuntoisuus.
- ▶ Käyttämällä aina kuulosuojainta.
- ▶ Käyttämällä vaimennusmateriaaleja, jotka estävät työstökappaleiden tuottamat voimakkaat ja kuuluvat äänet.

Huolto, varotoimenpiteet**▲ VAROITUS Koneen muutostyöt**

Jos koneeseen tehdään muutostöitä, seurauksena saattaa olla vakavia vammoja sekä itsellesi että muille.

- ▶ Älä koskaan tee koneeseen muutostöitä. Koneet, joihin on tehty muutostöitä, eivät kuulu takuun tai tuotevastuun piiriin.
- ▶ Käytä aina alkuperäisvaraosia, työkaluja ja lisävarusteita.
- ▶ Vaihda vaurioituneet osat viipymättä.
- ▶ Vaihda kuluneet koneenosat hyvissä ajoin.

▲ HUOMIO Kuuma työkalu

Työkalun kärki voi käytön aikana kuumentua ja tulla teräväksi. Sen koskettaminen voi aiheuttaa palovammoja ja haavoja.

- ▶ Älä koskaan kosketa kuumaa tai terävää työkalua.
- ▶ Ennen huoltotöiden aloittamista odota, kunnes työkalu on jäähtynyt.

▲ VAROITUS Työkalun aiheuttamat vaaratilanteet

Huoltotyön tai asennuksen aikana liipaisimen varomaton käsittely voi johtaa vakaviin henkilövahinkoihin koneen tehonlähteen kytkeytyessä päälle.

- ▶ Älä koskaan tarkasta, puhdista, asenna tai irrota työkalua, jos tehon lähde on kytkettynä koneeseen.

Varastointi, varotoimenpiteet

- ◆ Säilytä kone ja työkalut turvallisissa ja lukitussa paikassa poissa lasten ulottuvilta.

Yleistä

Ennen kuin alat käyttää konetta, perehdy oppaan edellisillä sivuilla olevaan, turvallisuusohjeita käsittelevään kohtaan. Turvallisuusohjeita noudattamalla vältetään vakavilta vammautumisilta ja hengenvaaralta.

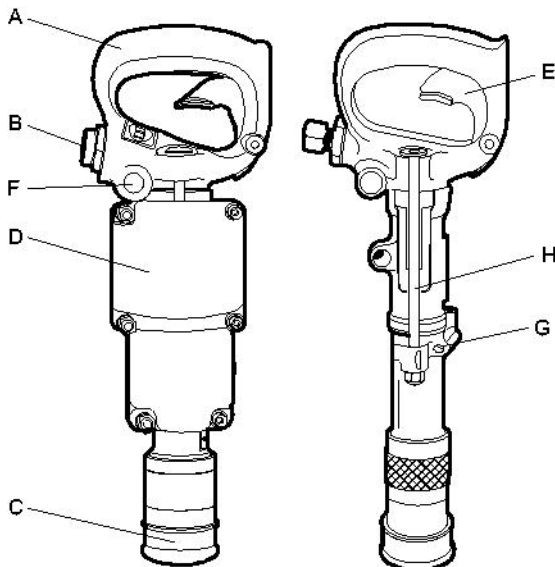
Rakenne ja toiminta

CP 0009 ja CP 0014 ovat yhdistettyjä poraus- ja murtamiskoneita, jotka on tarkoitettu sekä vaakaa että pystykäyttöön.

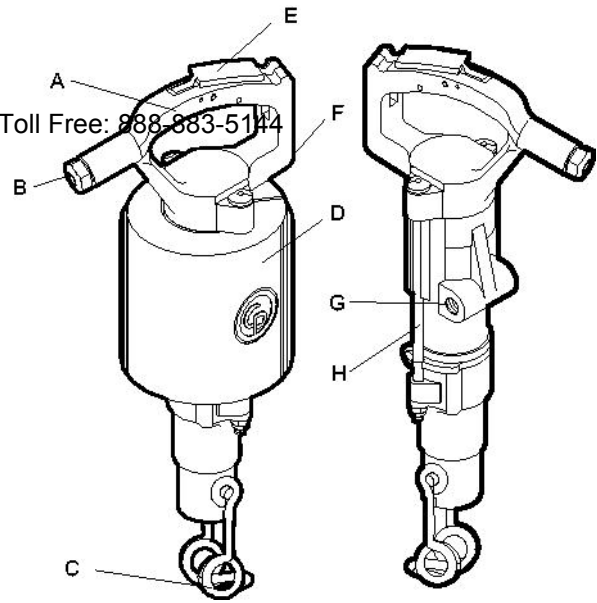
CP 0009 on varustettu pikakiinnityspidikkeellä ja pyörimissuunta on oikeaan. Koneen voi muuntaa poraus- tai murtamistöihin sopivaksi vaihtamalla mallista riippuen työkalun tai aktivoimalla pyörimislaitteen vapauttimen. Käyttöesimerkkejä ovat betoni- tai tiilirakenteen poraus, piikkaus tai siselöinti. Muunlainen käyttö ei ole sallittua.

CP 0014 on varustettu jousipidikkeellä ja pyörimissuunta on oikeaan. Koneen voi muuntaa poraus- tai murtamistöihin sopivaksi aktivoimalla pyörimislaitteen vapauttimen. Esimerkkejä kallioporakäytöstä ovat graniitin, betonin, kalkkikiven, tiilirakenteiden tai vastaavien materiaalien poraus. Käyttöesimerkkejä murtamistöistä ovat betoni- tai tiilirakenteen piikkaus tai siselöinti. Muunlainen käyttö ei ole sallittua. Käytä oikean työkalun valinnassa varaosaluetteloa.

Tärkeimmät osat



CP 0009



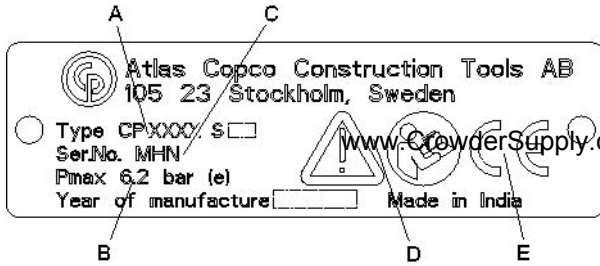
CP 0014

- A. Kahva
- B. Imuilman kara
- C. Työkalunpidike
- D. Äänenvaimennin
- E. Liipaisin
- F. Voitelulaite
- G. Pyörimisen vapautin
- H. Sidepultti

Tarrat

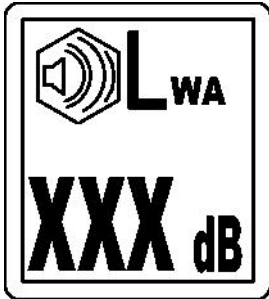
Tässä koneessa on käyttöturvallisuuden kannalta tärkeät turva- ja huoltokilvet. Kilvet on pidettävä sellaisessa kunnossa, että ne on helppo lukea. Uusia kilpiä voi tilata varaosaluettelon avulla.

Tietolevy



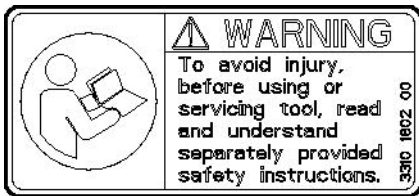
- A. Konetyyppi
 B. Suurin sallittu paineilman paine
 C. Sarjanumero
 D. Varoitussymboli ja kirjasyntämerkki tarkoittavat, että käyttäjän on perehdyttävä turvallisuusohjeisiin ja käyttöohjeeseen ennen koneen ensimmäistä käyttökertaa.
 E. CE-merkki tarkoittaa, että kone on saanut EY-hyväksynnän. Lisätietoja on koneen mukana toimitettavassa EY-vaatimustenmukaisuusvakuutuksessa. Jos CE-merkki puuttuu, se tarkoittaa, että kone ei ole saanut EY-hyväksyntää.

Melutasokilpi



Kilpi ilmoittaa EY-direktiivin 2000/14/EY mukaisen taatun enimmäismelutason. Tarkat tiedot melutasosta ovat kohdassa "Tekniset tiedot".

Turvamerkintä



Vammojen välttämiseksi perehdy erillisiin turvaohjeisiin ennen kuin alat käyttää tai huoltaa konetta.

Asennus

Poran purkaminen pakkauksesta

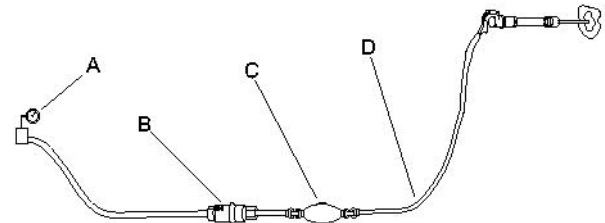
Muovisuojukset

Ennen poran käyttöönottoa poista kaikki muovisuojukset letkukaroista.

Voitelu

Kun olet purkanut työkalun pakkauksesta ja asentanut sen, kaada ilmaletkun liittimeen jonkin verran voiteluöljyä.

Letkut ja liittännät



- A. Paineilmalähde
 B. Vedenerotin (lisävaruste)
 C. Öljyvoitelulaite (lisävaruste)
 D. Enintään 3 metriä (10 feet) voitelulaitteen ja koneen välistä paineilmaletkua.
- ◆ Tarkista, että käytössä on valmistajan suosittelema käyttöpaine, 87 psig (6 bar (e)).
 - ◆ Koneen suurinta sallittua ilmanpainetta, 90 psig (6,2 baaria (e)), ei saa ylittää.
 - ◆ Puhalla mahdolliset epäpuhtaudet paineilmaletkusta, ennen kuin liität sen koneeseen.
 - ◆ Valitse oikeanmittainen ja -pituinen paineilmaletku. Jos tarvittava letkun pituus on enintään 30 metriä (100 feet), on käytettävä letkua, jonka sisähalkaisija on vähintään 19 mm (3/4"). Jos letkun pituus on 30–100 metriä (100–330 feet), on käytettävä letkua, jonka sisähalkaisija on vähintään 25 mm (1").

Jäätymisen estämismenetelmiä

Äänenvaimentimeen saattaa muodostua jäätä, kun ympäristön lämpötila on 32 °F (0 °C) tai alhaisempi ja suhteellinen kosteus on korkea.

Kone on suunniteltu siten, että äänenvaimentimeen ei muodostu jäätä. Tästä huolimatta jäätä voi erittäin kylmässä säässä alkaa muodostua äänenvaimentimeen.

Jään muodostumista voi lisäksi estää käyttämällä vedenerotinta.

Vedenerottimen liittäminen

Käytä kompressorin ja vedenerottimen välillä riittävän pitkää letkua, jotta vesihöyry ennättää jäähtyä ja tiivistyä letkussa ennen tuloaan vedenerottimeen.

Jos ympäristön lämpötila on alle 32 °F (0 °C), letkun on oltava riittävän lyhyt, jotta vesi ei ehdi jäätyä letkussa ennen tuloaan vedenerottimeen.

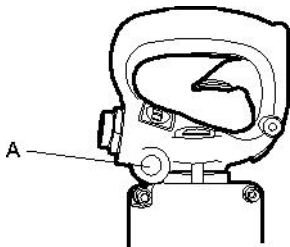
Voitelu

Voitelu on tärkeää koneen toiminnan kannalta, ja se vaikuttaa merkittävästi koneen käyttöikään.

Merkkejä asianmukaisesti tapahtuvasta voitelusta ovat pakoilmaan sekoittunut öljysumu ja porassa tai sovittimen niskassa näkyvät pienet öljymäärät. Liian suuri määrä voiteluainetta voi aiheuttaa käynnistysongelmia, tehon heikkenemistä tai epätasaisen suorituskyvyn.

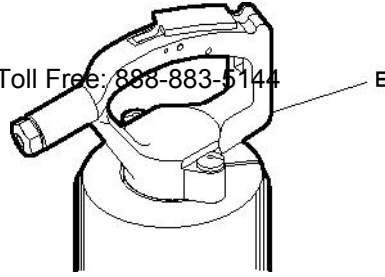
Yhdysrakenteisen voitelulaitteen on kuljetettava oikea määrä öljyä, ja siksi laite on tarkistettava ja täytettävä säännöllisesti. Lisäksi suositellaan paineilmalinjan voitelulaitteen käyttöä, millä varmistetaan voiteluaineen tasainen ja riittävä virtaus.

Valmistajan voiteluainesuositus: Kallioporaöljyä, jonka viskositeetti on 100-150 SUS lämpötilassa 100 °F (ISO VG 22–32).



CP 0009

Päivittäin ennen käyttöä ja neljän käyttötunnin välein: irrota tulppa (A) ja kyllästä huopa ja täytä öljysäiliö suosituksen mukaisella öljyllä.



CP 0014

Päivittäin ennen käyttöä ja neljän käyttötunnin välein: irrota tulppa (B) ja täytä öljysäiliö suosituksen mukaisella öljyllä.

Työkalu

▲ HUOMIO Kuuma työkalu

Työkalun kärki voi käytön aikana kuumentua ja tulla teräväksi. Sen koskettaminen voi aiheuttaa palovammoja ja haavoja.

- ▶ Älä koskaan kosketa kuumaa tai terävää työkalua.
- ▶ Ennen huoltotöiden aloittamista odota, kunnes työkalu on jäähtynyt.

Oikean työkalun valinta

Koneen kunnollisen toiminnan kannalta on ensiarvoisen tärkeää valita oikea työkalu. Turhien konevaurioiden estämiseksi on tärkeää valita korkealaatuiset työkalut.

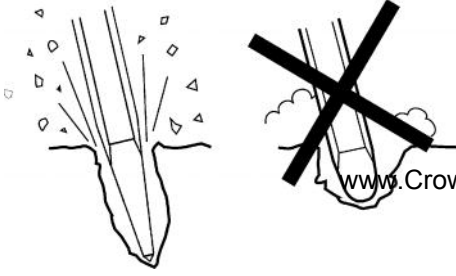
Kone voi vaurioitua korjauskelvottomaksi, jos siinä käytetään vääranntyyppistä työkalua.

Valmistajan suosittelemat työkalut luetellaan koneen varaosaluettelossa.

▲ VAROITUS Tärinävaarat

Työn tekeminen työkaluilla, jotka eivät täytä alla mainittuja kriteerejä, kestää kauemmin ja voi altistaa tärinälle. Lisäksi tylsynyt työkalu pidentää työskentelyaikaa.

- ▶ Varmista, että koneessa oleva työkalu on aina hyvin huollettu, se ei ole kulunut ja on oikean kokoinen.
- ▶ Pidä työkalut aina terävinä, jolloin ne toimivat tehokkaasti.



HUOMAUTUS Älä koskaan jäähdytä kuumaa työkalua vedessä, koska se voi haurastuttaa terää materiaalia ja johtaa normaalia nopeampaan kulumiseen.

▲ VAROITUS Voimakkaasti sinkoutuva työkalu

Jos koneen työkalun pidike ei ole lukittu asentoonsa, työkalu voi sinkoutua voimakkaasti ja aiheuttaa henkilövahinkoja.

- Ennen työkalun vaihtamista pysäytä kone, kytke paineilmansyöttö pois päältä ja tyhjennä kone paineilmasta painamalla käyttökytkintä.

Ennen poratangen asennusta

Tarkista, että työkalun varsi on kiinnitysosaan nähden oikean kokoinen ja pituinen. Varren on oltava puhdas, ja työkalun on oltava hyvässä kunnossa. Lohjenneet, pyöristyneet, epätasaiset tai iskupäästään liian kovat varret toimivat tehottomasti ja voivat johtaa männän ennenaikaiseen vaurioitumiseen.

Tarkista poratanko: tylsynyt poratanko hidastaa porausta ja rasittaa ylenmääräisesti porausmekanismia. Vaihtaessasi poratankoa varmista, että uusi tanko on oikean kokoinen, niin että se sopii edellisiin reikiin.

Ennen poraamisen aloittamista tarkasta, että poranterän tuuletusaukko ei ole tukossa.

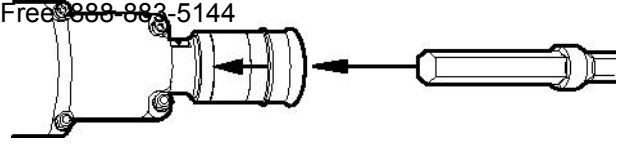
Jos poratangen niskan neljän kuulan urissa näkyy purseita, poista ne hiomalla kohta varovasti tasaiseksi. Tuloksena poratangen asennus ja irrotus on helpompaa ja lisäksi kiinnitysosa toimii takertelematta.

Työkalun asennus

Työkalua asennettaessa ja irrotettaessa on noudatettava seuraavia ohjeita:

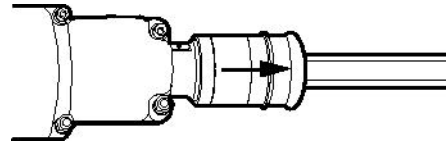
CP 0009

Toll Free 888-883-5144



Vedä työkalunpidikettä taaksepäin nuolen osoittamaan suuntaan ja pidättele sitä paikallaan asettaen samaan aikaan työkalun kiinnitysosaan.

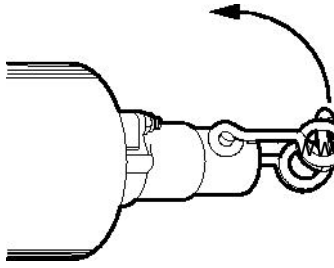
2.



Kun työkalu on pohjassa, lukitse työkalunpidike vapauttamalla se. Tarkista lukitustoiminnon pitävyys vetämällä paikalleen työnnettyä työkalua voimakkaasti ulospäin.

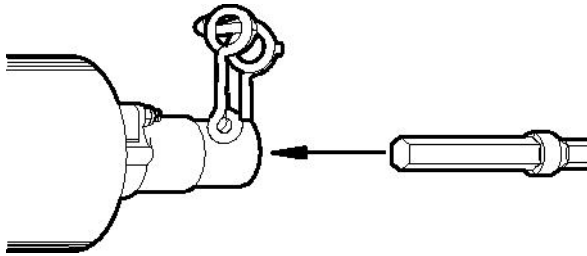
CP 0014

1.



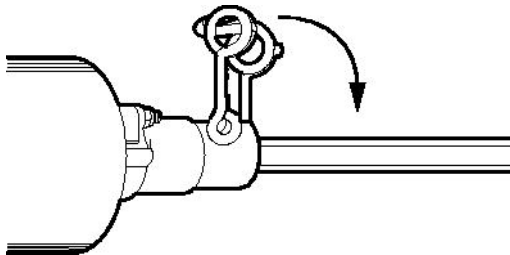
Työnnä työkalunpidikettä ylöspäin nuolen osoittamaan suuntaan.

2.



Työnnä työkalu kiinnitysosaan.

3.

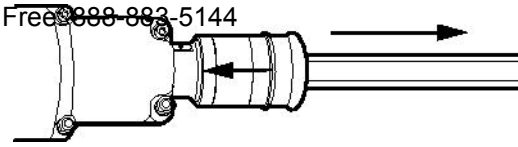


Kun työkalu on pohjassa, työnnä työkalunpidikettä taaksepäin, jolloin se lukkiutuu.

Työkalun irrotus

Työkalua irrotettaessa on noudatettava seuraavia ohjeita:

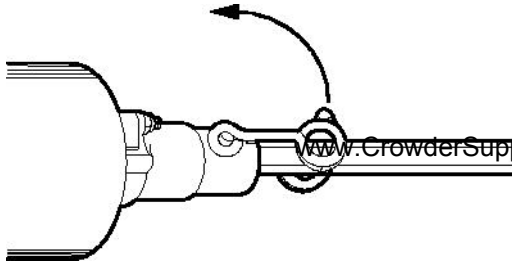
CP 0009



Vedä työkalunpidikettä taaksepäin nuolen osoittamaan suuntaan ja pidättele sitä paikallaan irrottaen samaan aikaan työkalun vetämällä sitä ulospäin.

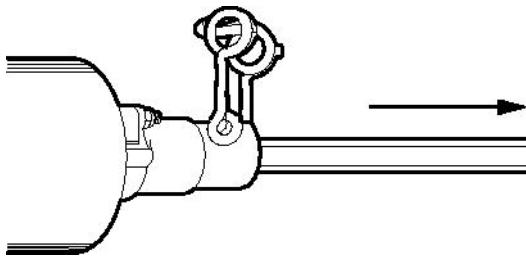
CP 0014

1.



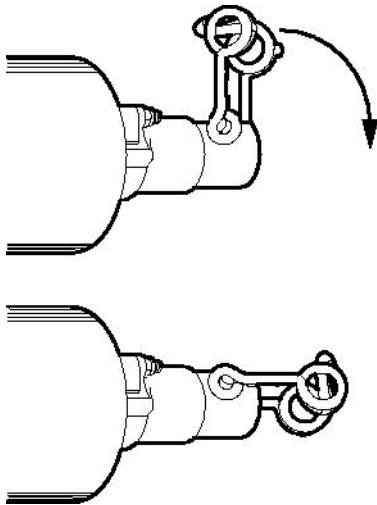
Työnnä työkalunpidikettä ylöspäin nuolen osoittamaan suuntaan.

2.



Vedä työkalu ulos.

3.



Työnnä työkalunpidikettä taaksepäin.

Käyttö

Toimenpiteet ennen aloitusta

Laitteiden tarkistaminen

- ◆ Tarkista, että kaikki laitteet ovat moitteettomassa kunnossa.
- ◆ Tarkista, että työkalun niskan iskupää on tasainen eikä siinä ole kulumia.
- ◆ Varmista, että ilman tuloaukot ja poistoaukot ovat vapaat.
- ◆ Tarkista, että poratangon huuhteluaukko on vapaa ja että huuhteluilma pääsee virtaamaan esteettä.
- ◆ Varmista, että liitännät ovat tiiviitä ja että ne eivät vuoda.

▲ VAARA Ympäristöä piiskaava paineilmaletku

Irti päässyt paineilmaletku voi iskeytyä hallitsemattomasti ja aiheuttaa henkilövahingon tai hengenvaarallisia tilanteita.

- ▶ Tarkista, että paineilmaletku ja sen liittimet ovat ehjät.
- ▶ Tarkista, että paineilmaletkun kaikki liittimet ovat oikein paikallaan.

Ilmaletkun puhallus puhtaaksi

- ◆ Puhalla joka päivä ennen käytön aloittamista ilmaletku puhtaaksi siihen kerääntyneestä liasta ja kosteudesta.

Öljyn lisääminen voiteluaineeseen

- ◆ Tarkista, että kiinnitysosa ja poratangon varsi ovat öljykalvon peitossa.

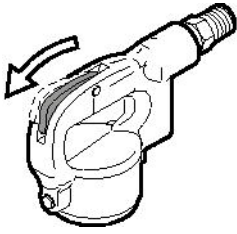
Käynnistys ja pysäytys

▲ VAROITUS Tahaton käynnistäminen

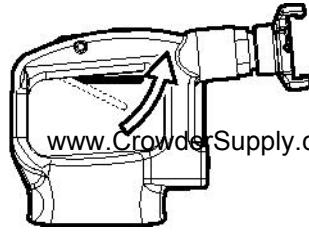
Koneen tahaton käynnistäminen saattaa aiheuttaa henkilövahingon.

- ▶ Koske liipaisimeen vasta käynnistäessäsi konetta.
- ▶ Opettele koneen sammuttaminen hätätilanteessa.
- ▶ Pysäytä kone välittömästi, jos koneen voimanlähteen käyttö estyy.

Käynnistys ja pysäytys

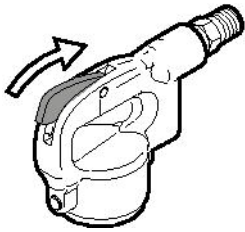


CP 0014

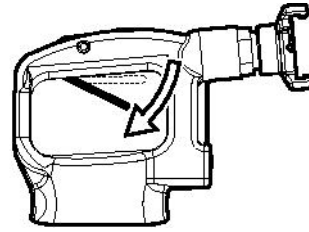


CP 0009

Käynnistä kone pitämällä kahvasta tukevalla otteella ja puristamalla liipaisinta.



CP 0014



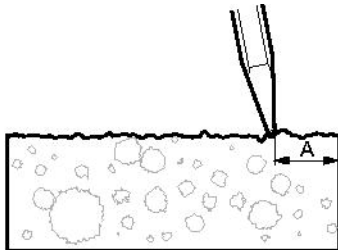
CP 0009

Pysäytä kone vapauttamalla liipaisin. Liipaisin palaa automaattisesti pysäytysasentoon.

Käyttö

Työn aloittaminen

- ◆ Seiso vakaassa asennossa pitäen jalat etäällä työkalusta.
- ◆ Paina konetta työkohteeseen, ennen kuin aloitat.
- ◆ Aloita poraus niin kaukana kulmasta, että kone pystyy murtamaan materiaalia ilman vipuvoimaa.
- ◆ Älä koskaan yritä murtaa liian isoja paloja. Säädä murtamisetäisyys (A) siten, että työkalu ei juutu kiinni.



Murtaminen ja poraaminen

- ◆ Käytä turvajalkineita, suojakäsineitä, kypärää, kuulonsuojaimia ja sivusuojilla varustettuja iskunkestäviä suojalaseja.
- ◆ Vältä erittäin kovien materiaalien kuten graniitin ja betoniteräksen (betoniterästankojen) murtamista, sillä nämä materiaalit voivat aiheuttaa voimakasta tärinää.
- ◆ Tarkista säännöllisesti, että kone saa riittävästi voiteluainetta.
- ◆ Kun konetta nostetaan, liipaisinta ei saa painaa.
- ◆ Tarpeetonta joutokäyntiä, koneen käyttöä ilman kiinnitysokalua tai koneen käyttöä ylösnostettuna on vältettävä.
- ◆ Seiso vakaasti ja pidä aina molemmin käsin koneesta kiinni.
- ◆ Paina konetta tukevasti työkohdetta vasten, ennen kuin käynnistät koneen.
- ◆ Anna koneen tehdä työt, älä paina liikaa.

Poistuessasi tauolle

- ◆ Taukojen ajaksi kone on asetettava syrjään siten, että sitä ei voida käynnistää tahattomasti.
- ◆ Poistuessasi pidemmälle tauolle tai lähtiessäsi työpaikalta: katkaise ensin tehonsyöttö ja tyhjennä sitten kone painamalla liipaisinta.

Huolto

- ◆ Säännöllinen kunnossapito on koneen turvallisen ja tehokkaan käytön perusedellytys. Noudata huolto-ohjeita tarkkaan.
- ◆ Ennen koneen huoltotöiden aloittamista puhdista se, jotta et altistu vaarallisille aineille. Katso kohta "Pölystä ja savukaasuista aiheutuvat vaaratilanteet".
- ◆ Käytä ainoastaan hyväksytyjä varaosia. Muiden osien käytön aiheuttamat vahingot tai viat eivät kuulu takuun tai tuotevastuun piiriin.
- ◆ Puhdistaessasi mekaanisia osia liuottimella varmista, että työ tehdään voimassa olevien työsuojausmääräysten mukaisesti, ja huolehdi riittävästä tuuletuksesta.

- ◆ Jos koneelle on tehtävä suuria huoltotöitä, ota yhteyttä lähimpään valtuutettuun huoltokorjaamoon.
- ◆ Tarkista kunkin huollon jälkeen, että koneen tärinätaaso on normaali. Ellei näin ole, ota yhteyttä lähimpään valtuutettuun huoltokorjaamoon.

Päivittäin

Ennen paineilmakoneiden huoltotöiden aloittamista tai työkalun vaihtamista paineilman tulo on katkaistava ja kone on tyhjennettävä paineilmaista painamalla liipaisinta. Irrota sen jälkeen ilmaletku koneesta.

- ◆ Puhdista ja tutki kone ja sen toiminnot päivittäin ennen työn aloittamista.
- ◆ Tutki kaikki mahdolliset vuoto- ja vauriokohteet.
- ◆ Tarkista, että imuilmän kara on tiukassa ja että kynsiliitin on ehjä.
- ◆ Tarkista pidikkeen toiminta. Varmista, että se lukitsee työkalun paikalleen.
- ◆ Vaihda vaurioituneet osat viipymättä.
- ◆ Vaihda kuluneet osat hyvissä ajoin.
- ◆ Tarkista koneen kaikki pultit. Varmista, että ne ovat tiukassa.
- ◆ Jos koneessa on äänenvaimennin, tarkista se vaurioiden varalta.

Määräaikaishuollot

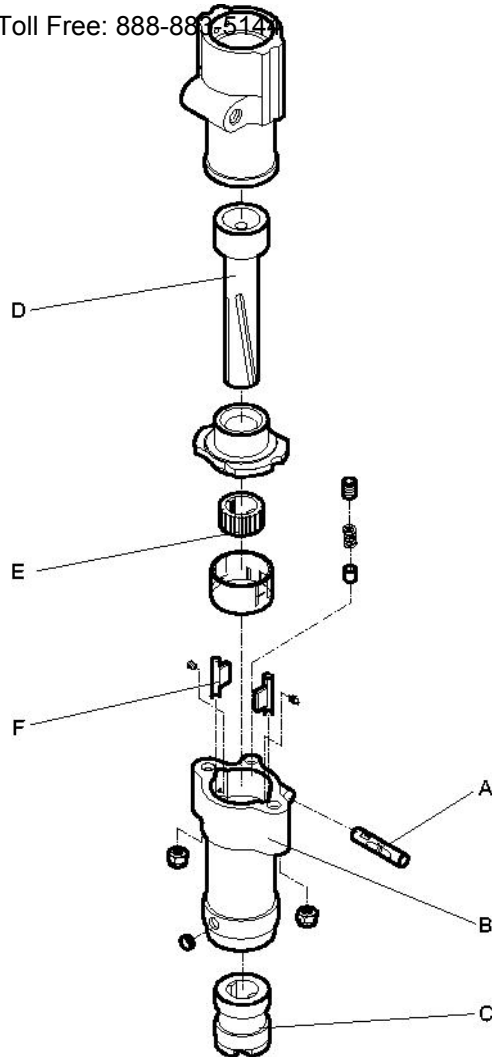
Kone on purettava, kaikki osat on puhdistettava ja tarkastettava noin 100 käyttötunnin välein tai kolmesti vuodessa. Työ on annettava asianmukaisen koulutuksen saaneen, valtuutetun henkilöstön tehtäväksi.

Kiristysmomentit

CP 0009	Sidepultin mutteri	12-14 ft.lbf (16-19 Nm)
CP 0014	Sidepultin mutteri	20-23 ft.lbf (27-31 Nm)

Kokoonpano

Koneen kokoonpanovaiheessa on otettava huomioon seuraavat asiat:



- ◆ Aseta pyörimislaitteen vapauttimen suunnanvaihtajan mäntä (A) etukappaleeseen (B), ennen kuin kokoat kiinnitysosan holkin (C).
- ◆ Varmista, että männän (D) suorakiila kytkeytyy kiinnitysosan holkin (C) suorakiilaan, ja että männän (D) kierrekiila kytkeytyy räikkärenkaan (E) kierrekiilaan.
- ◆ Asenna räikkärengas (E) etukappaleeseen (B) niin, että räikkähampaiden tasaiset puolet kytkeytyvät räikkähakojen (F) päihin.
- ◆ Kiristä sidepultit tasaisesti, jotta mikään kohta ei jää puristuksiin. Kiristuksen jälkeen pyöritä kiinnitysosa käsin varmistaaksesi, että se pyörii esteettä.

Varastointi

- > Puhdista kone asianmukaisesti ennen varastointia, jotta vältetään altistuminen vaarallisille aineille. Katso kohta ”Pölystä ja savukaasuista aiheutuvat vaaratilanteet” www.CrowderSupply.com • Toll Free: 888-883-5144
- > Kaada noin 1/2 oz (5 cl) öljyä suoraan imuilman karaan, liitä kone paineilman tuloliitäntään ja käytä konetta parin sekunnin ajan.
- > Säilytä konetta aina kuivassa paikassa.

Käytöstä poisto

Käytetty kone käsitellään ja romutetaan siten, että mahdollisimman suuri määrä materiaalista voidaan kierrättää paikallisten määräysten mukaan ja ympäristöhaitat pidetään mahdollisimman pieninä.

Tekniset tiedot

Koneen tiedot

www.CrowderSupply.com • Toll Free: 888-883-5144

Tyyppi	Varren mitat in. (mm)	Paino lb (kg)	Männän halkaisija in. (mm)	Iskun pituus in. (mm)	Kokonaispituus in. (mm)	Ilman kulutus (6 bar) cfm (l/s)	Iskutaajuus (6 bar) Hz
CP 0009 A	Pyöreä ¾ x 3¾ (Pyöreä 19 x 95)	8,82 (4.0)	1,25 (31,8)	1,38 (35)	14,76 (375)	19 (9)	57 (3420)
CP 0009 AC	Pyöreä ¾ x 3¾ (Pyöreä 19 x 95)	8,82 (4.0)	1,25 (31,8)	1,38 (35)	14,76 (375)	19 (9)	57 (3420)
CP 0009 CS	Pyöreä ¾ x 3¾ (Pyöreä 19 x 95)	10,14 (4,6)	1,25 (31,8)	1,38 (35)	14,76 (375)	19 (9)	57 (3420)
CP 0009 E	Pyöreä ¾ - Kuusikulmio ⅝ x 3½ (Pyöreä 19 - Kuusikulmio 14,7 x 89)	8,82 (4.0)	1,25 (31,8)	1,38 (35)	14,76 (375)	19 (9)	57 (3420)
CP 0009 ES	Pyöreä ¾ - Kuusikulmio ⅝ x 3½ (Pyöreä 19 - Kuusikulmio 14,7 x 89)	10,14 (4,6)	1,25 (31,8)	1,38 (35)	14,76 (375)	19 (9)	57 (3420)
CP 0009 F	kiila	8,82 (4.0)	1,25 (31,8)	1,38 (35)	14,76 (375)	19 (9)	57 (3420)
CP 0014 RR	Kuusikulmio ⅞ x 3¾ (Kuusikulmio 22 x 82,5)	14,77 (6,7)	1,87 (47,6)	1,38 (35)	18,50 (470)	47 (22)	42 (2520)
CP 0014 RRBS	Kuusikulmio ⅞ x 3¾ (Kuusikulmio 22 x 82,5)	15,87 (7,2)	1,87 (47,6)	1,38 (35)	18,50 (470)	47 (22)	42 (2520)

Melu- ja värinäarvoilmoitus

Taattu äänenvoimakkuustaso **Lw** ISO 3744:n mukaisesti täyttäen 2000/14/EY-direktiivin vaatimukset.

Äänenpainetaso, **Lp** ISO 11203:n mukaisesti.

Tärinäarvo **A** ja mittausepävarmuus **B** on määritetty ISO 20643. Ks. taulukossa ”Melu- ja värinätiedot” ilmoitetut A-, B- jne. arvot.

Ilmoitetut arvot on mitattu laboratoriotyypisissä kokeissa ohessa mainittuja direktiivejä tai standardeja noudattaen, ja arvot ovat riittävät vertailtaessa ominaisuuksia muiden, samojen direktiivien tai standardien mukaan testattujen työkalujen kanssa. Ilmoitetut arvot eivät ole riittävät riskien arvioinneissa, ja yksittäisissä työkohteissa voidaan mitata korkeampia arvoja. Todelliset altistumisarvot ja yksittäisen käyttäjän kokemat haitat ovat tapauskohtaisia, ja ne riippuvat käyttäjän työtapojen, työkappaleen ja työkohteen suunnittelun ohella altistumisen kestoajasta sekä käyttäjän fyysisestä kunnosta ja koneen kunnosta.

Atlas Copco Construction Tools AB ei ole lakisäateisessä vastuussa tilanteissa, joissa käytetään ohessa esitettyjä arvoja todellisten tapauskohtaisten arvojen asemesta tehtäessä riskianalyysia työpaikkakohteessa, johon emme voi vaikuttaa millään tavoin.

Tämä työkalu voi aiheuttaa käsiin ja käsivarsiin kohdistuvasta värinästä johtuvaa ns. HAVS-syndroomaa (hand-arm vibration syndrome), ellei koneesta pidetä työn aikana kiinni asianmukaisesti. Käsiin ja käsivarsiin kohdistuvaa värinää käsittelevän EU-oppaan voi ladata verkko-osoitteesta <http://www.humanvibration.com/EU/VIBGUIDE.htm> Suosittelemme käyttöön terveystarkastusohjelmaa, jolla voidaan havaita mahdolliset värinäpäästöille altistumisen oireet jo niiden alkuvaiheessa. Siten voidaan ryhtyä asianmukaisiin työnjohdollisiin toimenpiteisiin työperäisten sairauksien estämiseksi.

Melu- ja värinätiedot

Malli	Melu		Tärinä	
	Ilmoitetut arvot		Ilmoitetut arvot	
	Aänenpaine	Aäniteho	Kolmen akselin arvot	
	ISO 11203	2000/14/EY	ISO 20643	
	Lp r=1m dB(A) suht. 20µPa	Lw taattu dB(A) suht. 1pW	A m/s ² arvo	B m/s ² hajonta
CP 0009 A (murtamiseen)	-	-	20,2	2,5
CP 0009 A (poraamiseen)	-	-	21,2	2,6
CP 0009 AC (murtamiseen)	-	-	20,2	2,5
CP 0009 AC (poraamiseen)	-	-	21,2	2,6
CP 0009 CS (murtamiseen)	88	103	20,2	2,5
CP 0009 CS (poraamiseen)	88	103	21,2	2,6
CP 0009 E (murtamiseen)	-	-	20,2	2,5
CP 0009 E (poraamiseen)	-	-	21,2	2,6
CP 0009 ES (murtamiseen)	88	103	20,2	2,5
CP 0009 ES (poraamiseen)	88	103	21,2	2,6
CP 0009 F (murtamiseen)	-	-	20,2	2,5
CP 0009 F (poraamiseen)	-	-	21,2	2,6
CP 0014 RR (murtamiseen)	-	-	35,4	4,5
CP 0014 RR (poraamiseen)	-	-	45,3	5,2
CP 0014 RRBS (murtamiseen)	-	-	35,4	4,5
CP 0014 RRBS (poraamiseen)	-	-	45,3	5,2

CE-vaatimustenmukaisuusvakuutus

CE-vaatimustenmukaisuusvakuutus (EY-direktiivi 2006/42/EY)

www.CrowderSupply.com • Toll Free: 888-883-5144

Me, Atlas Copco Construction Tools AB, vakuutamme täten, että alla luetellut koneet täyttävät EY-direktiivin 2006/42/EY (konedirektiivi).

Käsi­käyt­­töiset vasaramurskaimet	Pmax (baaria)
CP 0009 CS	6.2
CP 0009 ES	6.2

Teknisten asiakirjojen valtuutettu edustaja:

Erik Sigfridsson
 Atlas Copco Construction Tools AB
 Dragonvägen 2
 Kalmar

Toimitusjohtaja:

Erik Sigfridsson

Valmistaja:

Atlas Copco Construction Tools AB
 105 23 Stockholm
 Sweden

Paikka ja aika:

Kalmar, 2010-04-01

DANSK

Indhold

Indledning	www.CrowderSupply.com • Toll-Free: 888-883-5144	201
Om sikkerhedsinstruktioner og betjeningsvejledning		201
Sikkerhedsinstruktioner		202
Sikkerhed, signalord		202
Personlige forholdsregler og kvalifikationer		202
Montering, forholdsregler		202
Betjening, forholdsregler		203
Vedligeholdelse, forholdsregler		208
Opbevaring, forholdsregler		208
Oversigt		209
Konstruktion og funktion		209
Hovedkomponenter		209
Mærkater		209
Montering		210
Udpakning af boret		210
Slinger og tilslutninger		210
Metoder til forhindring af frysning		210
Tilslutning af en vandudskiller		211
Smøring		211
Indsætningsværktøj		211
Betjening		214
Klargøring inden start		214
Start og stop		214
Betjening		214
Når der holdes pause		215
Vedligeholdelse		215
Hver dag		215
Periodisk vedligeholdelse		215
Tilspændingsmomenter		215
Samling		215
Opbevaring		216
Bortskaffelse		216
Tekniske data		217
Maskinens data		217
Støj- og vibrationsdeklaration		217
Støj- og vibrationsdata		218
EF-overensstemmelseserklæring		219
EF-overensstemmelseserklæring (EF-direktiv 2006/42/EF)		219

Indledning

Tak fordi De valgte Chicago Pneumatic produkter. I mere end hundrede år har Chicago Pneumatic produkterne været kendt for høj ydelse og unik design indenfor luftdrevet værktøj. www.CrowderSupply.com • Toll Free: 888-883-5144

Idag er Chicago Pneumatic repræsenteret globalt med et komplet program af luftdrevet og hydrauliske værktøjer der inkluderer nedbrydningshamre, borehamre, mejselhamre, ler- hamre, nitte hamre, dykpumper, kapsave og meget mere.

Chicago Pneumatic har altid været fokuseret på levering af stærke og pålidelige produkter . der er lette at vedligeholde og giver kunden meget for pengene.

Læs mere på www.cp.com

Atlas Copco Construction Tools AB
105 23 Stockholm
Sweden

Om sikkerhedsinstruktioner og betjeningsvejledning

Formålet med instruktionerne er at give Dem viden om, hvordan borehammeren anvendes effektivt og sikkert. Vejledningen indeholder desuden gode råd og giver anvisninger om regelmæssig vedligeholdelse af borehammeren.

Det er nødvendigt, at De læser denne vejledning omhyggeligt og forstår alle anvisningerne, før De anvender borehammeren første gang.

Sikkerhedsinstruktioner

For at reducere risikoen for alvorlig tilskadekomst eller død for Dem selv eller andre skal De læse og forstå sikkerhedsinstruktionerne og betjeningsvejledningen, inden De arbejder med eller reparerer, vedligeholder eller udskifter tilbehør på maskinen.

Slå sikkerhedsinstruktionerne og betjeningsvejledningen op på de steder, hvor der arbejdes med maskinen, udlevér kopier til Deres ansatte, og sørg for, at alle læser sikkerhedsinstruktionerne og betjeningsvejledningen, før de arbejder med eller vedligeholder maskinen.

Desuden bør operatøren, eller dennes arbejdsgiver, vurdere de specifikke risici, som kunne forekomme i forbindelse med brug af maskinen.

Sikkerhed, signalord

Signalordene Fare, Advarsel og Forsigtig har følgende betydninger:

FARE	Angiver en farlig situation, som, hvis den ikke forhindres, vil medføre død eller alvorlig tilskadekomst.
ADVARSEL	Angiver en farlig situation, som, hvis den ikke forhindres, kan medføre død eller alvorlig tilskadekomst.
FORSIGTIG	Angiver en farlig situation, som, hvis den ikke forhindres, kan medføre mindre eller moderat tilskadekomst.

Personlige forholdsregler og kvalifikationer

Kun kvalificeret og trænet personale må betjene og vedligeholde maskinen. De skal rent fysisk være i stand til at håndtere godset, vægten og værktøjets kraft. Brug altid sund fornuft og god dømmekraft.

Personligt beskyttelsesudstyr

Anvend altid godkendt beskyttelsesudstyr. Operatører og alle andre personer i arbejdsområdet skal være iført beskyttelsesudstyr, herunder som et minimum:

- > Beskyttelseshjelm
- > Høreværn
- > Slagfaste beskyttelsesbriller med sidebeskyttelse

- > Åndedrætsværn når påkrævet
- > Beskyttelseshandsker
- > Passende sikkerhedsstøvler
- > Passende arbejdsdragt eller lignende beklædning (f.eks. læssider eller), som dækker arme og ben.

Narkotika, alkohol eller medicin

▲ ADVARSEL Narkotika, alkohol eller medicin

Narkotika, alkohol eller medicin kan påvirke Deres dømmekraft og koncentrationsevne. Nedsat reaktionsevne og forkerte vurderinger kan medføre alvorlige ulykker eller dødsfald.

- ▶ Brug aldrig maskinen når De er træt eller under indflydelse af narkotika, alkohol eller medicin.
- ▶ Ingen personer, der er under indflydelse af narkotika, alkohol eller medicin, må betjene maskinen.

Montering, forholdsregler

▲ FARE Piskende luftslange

En trykluftslange der går løs, kan piske frem og tilbage og forårsage personskade eller dødsfald. Sådan reduceres risikoen:

- ▶ Kontrollér, at trykluftslangen og -forbindelserne ikke er beskadigede, udskift dem om nødvendigt.
- ▶ Kontrollér, at alle tryklufttilslutninger er sat ordentligt fast.
- ▶ Bær aldrig en trykluftmaskine i luftslangen.
- ▶ Forsøg aldrig at tage en trykluftslange af, der er under tryk. Sluk først for trykluft på kompressoren, og udluft derefter maskinen ved at aktivere start/stop-anordningen.
- ▶ Ret aldrig en trykluftslange mod Dem selv eller andre. For at undgå risikoen for personskader, må trykluft aldrig benyttes til at blæse for eksempel støv, snavs eller lignende af tøj.
- ▶ Brug ikke lynkoblinger på værktøjsåbningen. Brug slangekoblinger med gevind af hærdet stål (eller materiale med tilsvarende stødsikkerhed).
- ▶ Når der bruges universale spiralkoblinger (klokoblinger), anbefaler vi, at der anbringes låsetapper og piskestop-sikkerhedskabler for beskytte mod et muligt forbindelsessvigt mellem slange og værktøj eller slange og slange.

**▲ ADVARSEL Udskudt
indsætningsværktøj**

Hvis værktøjsholderen på maskinen ikke står i låst position, kan værktøjet blive skudt ud med stor kraft og forårsage personskader.

- ▶ Start aldrig maskinen, mens indsætningsværktøjet skiftes.
- ▶ Før værktøjet udskiftes, skal maskinen standses og kraftforsyningen slås fra, hvorefter maskinen skal udluftes ved at aktivere start-/stop-anordningen.
- ▶ Ret aldrig indsætningsværktøjet mod dig selv eller andre.
- ▶ Sørg for at værktøjet er ført helt ind og at værktøjsholderen står i låst position, før maskinen startes.
- ▶ Kontrollér låsefunktionen ved at trække det indsatte værktøj kraftigt udad.

**▲ ADVARSEL Løstsiddende
indsætningsværktøj**

Hvis indsætningsværktøjets skaft ikke har den rigtige dimension, kan det resultere i, at indsætningsværktøjet tabes eller glider ud under arbejdet med fare for alvorlig tilskadekomst eller knuste hænder og fingre.

- ▶ Kontrollér, at værktøjsskaftet har den rette størrelse og længde i forhold til den bøsning der anvendes.
- ▶ Brug aldrig et indsætningsværktøj uden krave.

Betjening, forholdsregler**▲ FARE Eksplosionsfare**

Hvis et varmt indsætningsværktøj kommer i kontakt med sprængstof, kan der ske en eksplosion. Ved arbejde med visse materialer og ved brug af visse materialer i maskinens dele kan der fremkomme gnister og antændelse. Eksplosioner kan føre til alvorlige skader eller dødsfald.

- ▶ Arbejd aldrig med maskinen i et eksplosionsfarligt miljø.
- ▶ Brug aldrig maskinen i nærheden af brændbare materialer, dampe eller støv.
- ▶ Kontrollér, at der ikke er skjulte kilder af gas eller sprængstoffer.
- ▶ Bor aldrig i et gammelt hul.

▲ ADVARSEL Uventede bevægelser

Det indsatte værktøj udsættes for kraftige påvirkninger, når maskinen bruges. Det indsatte værktøj kan knække på grund af metaltræthed efter nogen tids brug. Hvis det indsatte værktøj knækker eller sættes fast, kan der opstå uventede bevægelser, som kan medføre tilskadekomst. Desuden kan De komme til skade, hvis De mister balancen eller snubler.

- ▶ Sørg for altid at stå sikkert med en skulderbredde mellem fødderne og kropsvægten ligeligt fordelt.
- ▶ Inspicér altid udstyret før brug. Anvend aldrig udstyret, hvis De har mistanke om, at det er beskadiget.
- ▶ Sørg for at håndtagene er rene og fri for fedt og olie.
- ▶ Hold fødderne væk fra det indsatte værktøj.
- ▶ Stå fast, og hold altid fast i maskinen med begge hænder.
- ▶ Bor aldrig i et gammelt hul.
- ▶ Start aldrig maskinen, mens den ligger på jorden.
- ▶ „Rid“ aldrig på maskinen med et ben over håndtaget.
- ▶ Slå eller mishåndtér aldrig udstyret.
- ▶ Kontrollér regelmæssigt indsætningsværktøjet for slid, og kontrollér, om der er tegn på beskadigelse eller synlige revner.
- ▶ Vær opmærksom og se, hvad De laver.

▲ ADVARSEL Fastsætningsrisiko

Hvis indsætningsværktøjet sætter sig fast under arbejdet, vil hele maskinen begynde at rotere, hvis De mister grebet. En sådan uventet rotation af hele maskinen, kan forårsage alvorlig tilskadekomst eller død.

- ▶ Stå fast, og hold altid i maskinen med begge hænder.
- ▶ Sørg for at håndtaget/håndtagene er rene og fri for fedt og olie.
- ▶ Bor aldrig i et gammelt hul.

▲ ADVARSEL Indtrækningsrisiko

Der er fare for, at halstørklæder, hår, handsker og tøj kan blive trukket ind eller fanget i et roterende indsætningsværktøj eller tilbehør. Det kan forårsage strangulering, skalpering, tilskadekomst eller død.

Sådan reduceres risikoen: www.CrowderSupply.com • Toll Free: 888-883-5144

- ▶ Grib aldrig fat i og rør aldrig ved et roterende borestål.
- ▶ Undgå at bære tøj, halstørklæder eller handsker, som kan blive trukket ind.
- ▶ Dæk langt hår med et hårnet.

▲ ADVARSEL Støv- og damprisiko

Støv og/eller damp, som opstår eller spredes ved brug af denne maskine kan forårsage alvorlig og permanent sygdom, lidelse eller anden legemlig skade (for eksempel silikose eller anden irreversibel sygdom). Støv og damp kan være livsfarlig, kræft, fødselsdefekter og/eller hudinflammationer).

Nogle slags støv og damp, som opstår ved boring, brydning, hamring, savning, slibning og andre byggeaktiviteter, indeholder substanser, som staten Californien og andre myndigheder har erklæret ansvarlige for åndedrætssygdomme, kræft, fødselsdefekter eller anden forplantningsskade. Nogle eksempler på sådanne substanser er:

- > Krystallinsk kvarts, cement og andre murværksmaterialer.
- > Arsenik og krom fra kemisk behandlet gummi.
- > Bly fra blybaseret maling.

Stol ikke på, hvad du ser, når du vil afgøre, om der er støv eller damp i luften, for støv og damp i luften kan være usynlig for det blotte øje.

Gør følgende for at reducere risikoen for at blive udsat for støv og damp:

- ▶ Foretag en arbejdspladsspecifik risikovurdering. Risikovurderingen skal omfatte støv og damp, som opstår ved brug af maskinen, og eventuelt allerede eksisterende generende støv.
- ▶ Anvend passende teknikker til at minimere mængden af støv og damp i luften og en ophobning af det på udstyr, overflader, tøj og legemsdele. Eksempler på teknikker: udblæsningsventilation og støvopsamlingsystemer, vandforstøvere og vådboring. Kontrollér støv og damp, der hvor det opstår, hvis det er muligt. Sørg for, at de forskellige anordninger er monteret korrekt, vedligeholdes og bruges rigtigt.
- ▶ Bær, vedligehold og brug åndedrætsværn rigtigt som anvist af Deres arbejdsgiver og som det kræves af arbejdssundheds- og sikkerhedsforskrifterne. Åndedrætsværnet skal være effektivt for den type substanser, det drejer sig om (og om muligt godkendt af en kompetent offentlig myndighed).
- ▶ Arbejd i et godt ventileret område.
- ▶ Hvis maskinen har en udblæsning, skal den ledes, så at genen ved støv reduceres i den støvfyldte omgivelse.
- ▶ Brug og vedligehold maskinen som anbefalet i sikkerhedsinstruktionerne og betjeningsvejledningen

- Vælg, vedligehold og udskift forbrugsvarer/indsætningsværktøjer/ andet tilbehør som anbefalet i sikkerhedsinstruktionerne og betjeningsvejledningen. Forkert valg eller mangel på vedligeholdelse af forbrugsvarer/indsætningsværktøjer/ andet tilbehør kan forårsage unødvendig forøgelse af støv eller damp.
- Bær vaskbart eller engangsbeskyttelsestøj på arbejdsstedet, og tag bad og skift til rent tøj, før arbejdspladsen forlades for derved at begrænse påvirkning fra støv og damp på Dem selv, andre mennesker, biler, hjem og andre områder.
- Undgå at spise, drikke og ryge på områder, hvor der er støv og damp.
- Vask Deres hænder og ansigt omhyggeligt så hurtigt som muligt, efter at de har forladt det eksponerede område, og altid inden De spiser, drikker, ryger eller har kontakt med andre mennesker.
- Overhold alle relevante love og bestemmelser, også arbejdssundheds- og sikkerhedsforskrifter.
- Deltag i de luftovervågningsprogrammer, helbredsundersøgelser og sundheds- og sikkerhedstræningsprogrammer, som Deres arbejdsgiver eller erhvervsorganisationer tilbyder i henhold til arbejdssundheds- og sikkerhedsforskrifter og anbefalinger. Søg en læge, som har erfaring med relevant arbejdsmedicin.
- Samarbejd med din arbejdsgiver og erhvervsorganisation på at reducere udsættelsen for støv og damp på arbejdspladsen og på at reducere risiciene. Effektive sundheds- og sikkerhedsprogrammer, foranstaltninger og fremgangsmåder til beskyttelse af arbejdstagere og andre mod farlig udsættelse for støv og damp skal etableres og implementeres baserende på rådgivning fra sundheds- og sikkerhedseksperter. Rådfør Dem med eksperter.
- ▲ **ADVARSEL Projektiler**
Fejl på arbejdsemnet, på tilbehør eller på selve maskinen kan frembringe projektiler med høj hastighed. Når der arbejdes, kan splinter eller andre partikler fra det bearbejdede materiale blive til projektiler og forårsage personskade, hvis de rammer operatøren eller andre personer. Sådan reduceres risikoen:
- Brug godkendt personligt beskyttelsesudstyr og sikkerhedshjelm, herunder stødresistent øjenværn med sidebeskyttelse.
 - Sørg for, at uautoriserede personer ikke får adgang til arbejdsområdet.
 - Hold arbejdsstedet rent og frit for fremmedlegemer.
 - Sørg for, at arbejdsemnerne er sikkert fastgjort.
- ▲ **ADVARSEL Splintrisiko**
Hvis man bruger indsætningsværktøjet som et håndholdt hammerværktøj, kan det føre til at splinter rammer operatøren, så denne kommer til skade.
- Brug aldrig et indsætningsværktøj som håndholdt hammerværktøj. De er specielt designet og varmebehandlet til kun at bruges i en maskine.
- ▲ **ADVARSEL Risiko for at glide, snuble og falde**
Der er risiko for at glide, snuble eller falde, for eksempel ved at snuble over slanger eller andre genstande. Man kan komme til skade ved at glide, snuble eller falde. Sådan reduceres risikoen:
- Sørg for, at der ikke findes slanger eller andre genstande på Deres eller andre personers vej.
 - Sørg for, at De altid står sikkert med en skulderbredde mellem fødderne og kropsvægten ligeligt fordelt.

▲ ADVARSEL Risiko ved manglende bevægelse

Når De bruger maskinen til at udføre arbejdsrelaterede opgaver, oplever De måske ubehag i hænder, arme, skuldre, nakke eller andre dele af kroppen.

- ▶ Indtag en komfortabel kroppsstilling, bibehold et sikkert fodfæste og undgå akavede uafbalancerede kroppsstillinger.
- ▶ Det hjælper med til at undgå ubehag og træthed, hvis man skifter stilling under lange arbejdsopgaver.
- ▶ I tilfælde af vedvarende eller tilbagevendende symptomer, skal en kvalificeret specialist konsulteres.

▲ ADVARSEL Vibrationsrisiko

Normal og korrekt brug af maskinen udsætter operatøren for vibrationer. Udsættes man regelmæssigt og hyppigt for vibrationer, kan det forårsage eller bidrage til at forværre skader eller sygdomme i fingre, hænder, håndled, arme, skuldre og/eller nerver og blodtilførsel eller andre dele af kroppen, også svækkende og/eller permanente skader eller sygdomme, som kan udvikle sig gradvist over perioder på uger, måneder eller år. Sådanne skader eller sygdomme kan også være kredsløbsskader, skader på nervesystemet, ledsader og muligvis skader på andre af kroppens strukturer.

Hvis der på noget tidspunkt optræder følelsesløshed, vedvarende tilbagevendende ubehag, brændende fornemmelse, stivhed, dunken, snurren, smerter, klodsethed, svækket gribeevne, hvidfarvning af huden eller andre symptomer, uanset om det sker under arbejde med maskinen eller ikke, må der ikke længere arbejdes med maskinen, arbejdsgiveren skal informeres og der skal søges lægehjælp. Fortsat brug af maskinen, efter at der er opstået sådanne symptomer, kan øge risikoen for, at symptomerne bliver mere alvorlige og/eller permanente.

Brug og vedligehold maskinen som anbefalet i disse instruktioner, så der undgås unødigt forøgelse af vibrationer.

Følgende kan være med til at reducere påvirkningen af vibrationer for operatøren:

- ▶ Lad værktøjet gøre arbejdet. Hold så let på maskinen, som behørig kontrol og sikker betjening tillader.
- ▶ Hvis maskinen har vibrationsabsorberende håndtag, skal de holdes i en midterposition og bør ikke presses til endestop.
- ▶ Når slagfunktionen er aktiveret, bør Deres eneste kontakt med maskinen være Deres hænder på håndtaget eller håndtagene. Undgå enhver anden kontakt, for eksempel at støtte nogen del af kroppen mod maskinen eller at læne Dem mod maskinen i et forsøg på at forstærke slagkraften. Det er også vigtigt, at start/stopanordningen ikke er indkoblet, når værktøjet trækkes væk fra den flade, der brydes.

- ▶ Sørg for, at det indsatte værktøj er godt vedligeholdt (herunder dets skæreevne, hvis det er et skærende værktøj), ikke er slidt, og at det har den rigtige størrelse. Hvis der anvendes indsætningsværktøjer, som ikke er ordentligt vedligeholdt, eller som er slidte eller ikke har den rigtige størrelse, tager det længere tid at udføre arbejdet (og længere vibrationspåvirkning), som kan medføre eller bidrage til, at operatøren udsættes for højere vibrationsniveauer.
- ▶ Indstil straks arbejdet, hvis maskinen pludseligt begynder at vibrere kraftigt. Før arbejdet genoptages, skal årsagen til de øgede vibrationer findes og fjernes.
- ▶ Undlad altid at tage fat i, holde om eller røre ved det indsatte værktøj, når maskinen er i brug.
- ▶ Deltag i sundhedskontrol eller -overvågning, helbredsundersøgelser og træningsprogrammer, når de tilbydes af Deres arbejdsgiver, og når de er påbudt ved lov.
- ▶ Tag varmt tøj på og hold Deres hænder varme og tørre, når De arbejder i kulde.

Se „Støj- og vibrationsdeklarationen“ for maskinen, herunder også de deklarerede vibrationsværdier. Disse informationer findes sidst i sikkerhedsinstruktionerne og betjeningsvejledningen.

- ◆ Overhold det anbefalede lufttryk ved arbejde med maskinen. Hvis der arbejdes med et højere eller lavere lufttryk, kan det resultere i højere vibrationsniveauer.

▲ FARE Elektrisk fare

Maskinen er ikke elektrisk isoleret. Hvis maskinen kommer i kontakt med elektricitet, kan det resultere i alvorlige skader eller død.

- ▶ Brug aldrig maskinen i nærheden af en elektrisk ledning eller anden elektrisk kilde.
- ▶ Kontrollér, at der ikke er skjulte ledninger eller andre elektricitetskilder i arbejdsområdet.

▲ ADVARSEL Fare ved skjulte genstande

Når der arbejdes, udgør skjulte ledninger og rør en fare, som kan resultere i alvorlige skader.

- ▶ Kontrollér materialernes sammensætning før arbejdsstart.
- ▶ Pas på skjulte kabler og rør, f.eks. til elektricitet, telefon, vand, gas og spildevand etc.
- ▶ Hvis det ser ud til, at værktøjet har ramt en skjult genstand, skal der straks slukkes for maskinen.

- ▶ Før der fortsættes, skal det sikres, at der ikke er fare på færde.

▲ ADVARSEL Utilsigtet start

Utilsigtet start af maskinen kan forårsage skader.

Utilsigtet start af maskinen kan forårsage skader. Tryk på rødt stop-knap fra start/stop-anordningen, indtil De er klar til at starte maskinen.

- ▶ Lær hvordan maskinen slås fra, hvis der opstår en nødsituation.
- ▶ Slip straks start-/stop-anordningen, i alle tilfælde hvor kraftforsyningen afbrydes.
- ▶ Når der monteres eller fjernes indsætningsværktøjer, skal lufttilførslen slukkes, maskinen udluftes ved at trykke på start-/stopanordningen og maskinen tages fra kraftforsyningen.

▲ ADVARSEL Støjrisiko

Høje støjniveauer kan forårsage permanent og invaliderende høretab og andre problemer, som f.eks. tinnitus (ringende, summende, fløjtende eller brummende lyde i ørerne). For at reducere risikoen og forebygge unødvendig forøgelse af støjniveauer, er det:

- ▶ Vigtigt med en risikovurdering af disse farer og implementering af passende kontrolforanstaltninger.
- ▶ Betjen og vedligehold maskinen som anbefalet i denne vejledning.
- ▶ Vælg, vedligehold og udskift indsætningsværktøjet som anbefalet i denne vejledning.
- ▶ Hvis maskinen har en lyddæmper kontrolleres, at den sidder rigtigt og er i god driftstilstand.
- ▶ Brug altid høreværn.
- ▶ Brug dæmpningsmateriale for at forhindre, at arbejdsredskaberne „ringer“.

Vedligeholdelse, forholdsregler

▲ ADVARSEL Maskinmodifikation

Enhver modifikation af maskinen kan medføre personska-
de. www.CrowderSupply.com • Toll Free: 888-883-5144

- ▶ Modificér aldrig maskinen. Modificerede maskiner dækkes ikke af garanti eller produktansvar.
- ▶ Anvend altid originale dele, indsætningsværktøjer og tilbehør.
- ▶ Udskift omgående beskadigede dele.
- ▶ Udskift slidte komponenter i god tid.

▲ FORSIGTIG Varmt indsætningsværktøj

Indsætningsværktøjets spids kan blive varm og skarp, når den bruges. Berøring kan medføre forbrændinger og snitsår.

- ▶ Rør aldrig ved et varmt eller skarpt indsætningsværktøj.
- ▶ Vent indtil indsætningsværktøjet er kølet af, inden der udføres vedligeholdelsesarbejde.

▲ ADVARSEL Risiko ved indsætningsværktøj

Uforsætlig betjening af start-/stopanordningen under vedligeholdelse eller montering kan forårsage alvorlige uheld, hvis kraftforsyningen er tilsluttet.

- ▶ Efterse, rens, montér eller fjern aldrig indsætningsværktøj, når kraftforsyningen er tilsluttet.

Opbevaring, forholdsregler

- ◆ Opbevar maskinen et sikkert sted, hvor den er uden for børns rækkevidde og låst inde.

Oversigt

Før at reducere risikoen for, at De selv eller andre bliver alvorligt skadet eller dræbt, skal De læse afsnittet med sikkerhedsinstruktioner på de foregående sider i denne håndbog, før De arbejder med maskinen.

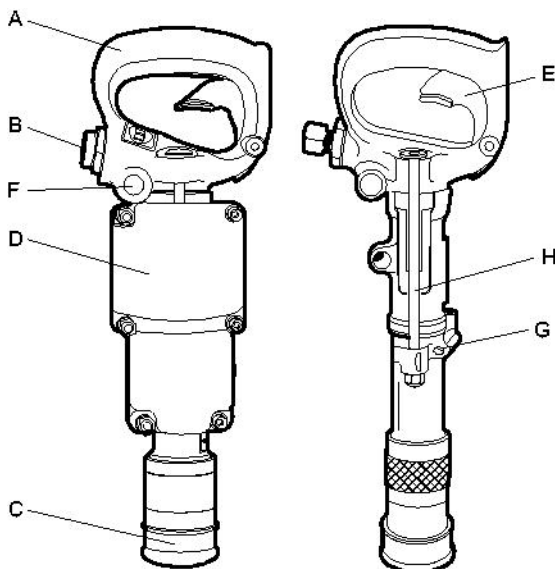
Konstruktion og funktion

CP 0009 og CP 0014 er kombinerede bore- og nedbrydningsmaskiner, konstrueret til horisontal og vertikal brug.

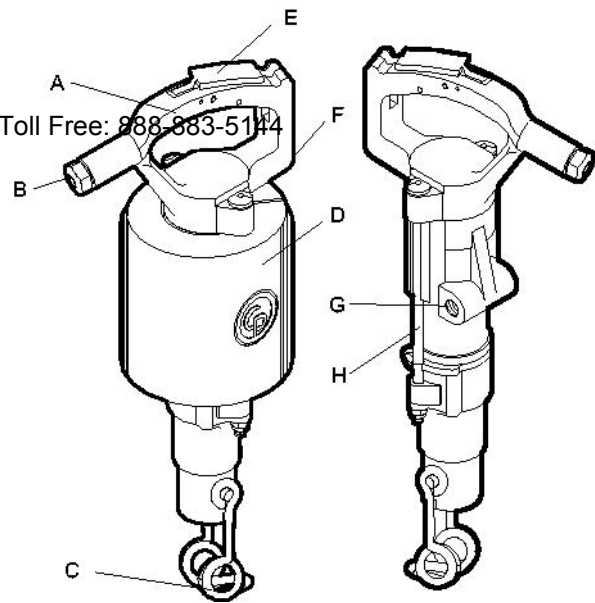
CP 0009 er udstyret med en lynskifte-holder og har højregående rotation. Maskinen kan tilpasses til boring eller nedbrydning ved skift af indsætningsværktøj eller ved aktivering af rotationsudløsningen, afhængigt af model. Eksempler på brug er boring, hugning eller drivning i beton eller sten. Ingen anden anvendelse er tilladt.

CP 0014 er udstyret med en fjederholder og har højregående rotation. Maskinen kan tilpasses til boring eller nedbrydning ved aktivering af rotationsudløsningen. Eksempler på brug som borehammer er boring i granit, beton, kalksten eller mursten, eller andre lignende materialer. Som hammer kan den bruges til hugning eller drivning i beton eller sten. Ingen anden anvendelse er tilladt. Det korrekte indsætningsværktøj vælges ved hjælp af reservedelslisten.

Hovedkomponenter



CP 0009



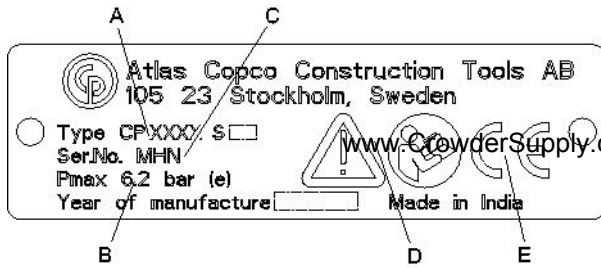
CP 0014

- A. Håndtag
- B. Luftindtagsnippel
- C. Værktøjsholder
- D. Lyddæmper
- E. Udløser
- F. Smøreanordning
- G. Rotationsudløsning
- H. Gennemgående skrue

Mærkater

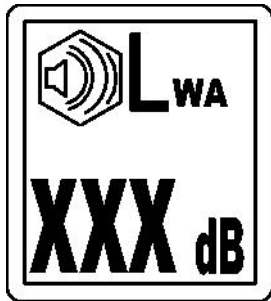
Maskinen er forsynet med mærkater, som indeholder vigtige informationer om personlig sikkerhed og maskinens vedligeholdelse. Mærkaterne skal være i en sådan tilstand, at de nemt kan læses. Nye mærkater kan bestilles fra reservedelslisten.

Typeskilt



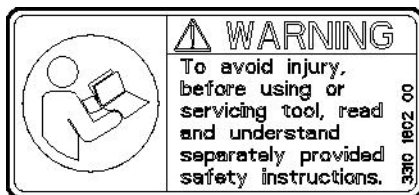
- A. Maskintype
- B. Maksimale tilladte tryk for tryklufforsyning
- C. Serienummer
- D. Advarselssymbolet sammen med bogssymbolet betyder, at brugeren skal læse sikkerhedsinstruktionerne og betjeningsvejledningen, før maskinen anvendes første gang.
- E. CE-symbolet betyder, at maskinen er EU-godkendt. Se EU-deklarationen, som følger med maskinen, for yderligere information. Hvis CE-symbolet mangler, betyder det, at maskinen ikke er EU-godkendt.

Støjniveau-mærkat



Mærkatet angiver det garanterede støjniveau i henhold til EU-direktiv 2000/14/EF. Se „Tekniske data“ vedrørende det nøjagtige støjniveau.

Sikkerhedsmærkat



For at undgå tilskadekomst skal de separat udleverede sikkerhedsinstruktioner læses og forstås, inden værktøjet bruges eller vedligeholdes.

Montering

Udpakning af boret

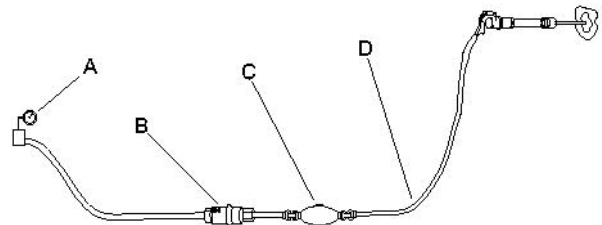
Plasticbeskyttelser

Inden boret bruges første gang, skal alle plasticbeskyttelser fjernes fra slangeniplerne.

Smøring

Efter udpakning og montering af værktøjet fyldes en passende mængde smørelolie ind i lufttilslutningen.

Slanger og tilslutninger



- A. Trykluffkilde
 - B. Vandudskiller (ekstraudstyr)
 - C. Smøreanordning (ekstraudstyr)
 - D. Maks. 10 feet (3 meter) tryklufflange mellem smøreanordningen og maskinen.
- ♦ Kontrollér, at De anvender det anbefalede arbejdstryk, 87 psig (6 bar (e)).
 - ♦ Det maksimalt tilladte lufttryk, 90 psig (6,2 bar (e)), må ikke overskrides.
 - ♦ Blæs eventuelle urenheder ud af trykluffslangen, før den sættes til maskinen.
 - ♦ Vælg en tryklufflange i korrekt dimension og længde. Slanger på op til 100 feet (30 meter) bør have en indvendig minimumsdiameter på 3/4" (19 mm). Slanger på mellem 100 og 330 feet (30 og 100 meter) bør have en indvendig minimumsdiameter på 1" (25 mm).

Metoder til forhindring af frysning

Isdannelse i lyddæmperen kan forekomme, når den omgivende lufttemperatur er 32-50 °F (0-10°C) og den relative luftfugtighed er høj.

Maskinen er konstrueret til at undgå isdannelse i lyddæmperen. Alligevel kan der under ekstreme forhold dannes is i lyddæmperen.

Brug en vandudskiller for yderligere at modvirke risikoen for isdannelse.

www.CrowderSupply.com • Toll Free: 888-883-5144

Tilslutning af en vandudskiller

Der skal anvendes en tilstrækkeligt lang slange mellem kompressoren og vandudskilleren for at sikre, at vanddampen afkøles og kondenseres i slangen, før den når frem til vandudskilleren.

Hvis den omgivende temperatur er under 32°F (0°C), skal slangen være kort nok til at forhindre, at vandet fryser i slangen, før det når frem til vandseparatoren.

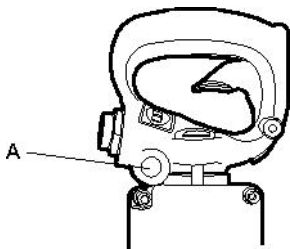
Smøring

Smøremidlet er vigtigt for maskinens funktion og har stor indvirkning på maskinens levetid.

Det er tegn på rigtig smøring, hvis der findes olietåge i udstødningsluften og lette spor af olie på borets eller adapterens skaft. For meget smøremiddel kan give startproblemer, mangel på kraft eller ujævn ydelse.

Den indbyggede oliesmøreanordning skal kontrolleres og fyldes med jævne mellemrum, så den rigtige oliemængde tilføres. Desuden anbefales brugen af en trykluftsmøreanordning for at sikre en konstant og passende tilførsel af smøremiddel.

Anbefalet smøremiddel: Olie til borehamre med en viskositet på 100-150 SUS ved 100°F (ISO VG 22-32).



CP 0009

Hver dag inden brug og efter hver 4. driftstime skal proppen (A) tages af, filten gennemvædes og oliebeholderen fyldes med den anbefalede olie.



CP 0014

Hver dag inden brug og efter hver 4. driftstime skal proppen (B) tages af og oliebeholderen fyldes med den anbefalede olie.

Indsætningsværktøj

▲ FORSIGTIG Varmt indsætningsværktøj

Indsætningsværktøjets spids kan blive varm og skarp, når den bruges. Berøring kan medføre forbrændinger og snitsår.

- ▶ Rør aldrig ved et varmt eller skarpt indsætningsværktøj.
- ▶ Vent indtil indsætningsværktøjet er kølet af, inden der udføres vedligeholdelsesarbejde.

Valg af det korrekte indsætningsværktøj

Valg af rigtigt indsætningsværktøj er en forudsætning for korrekt maskinfunktion. Det er vigtigt, at vælge indsætningsværktøjer af høj kvalitet for at undgå unødvendig maskinskade.

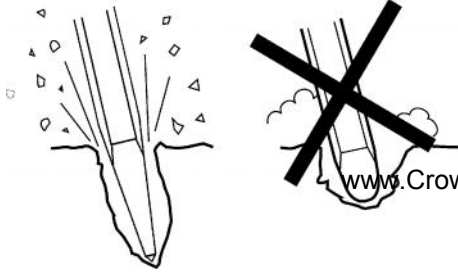
Maskinen kan blive ødelagt, hvis De anvender forkerte indsætningsværktøjer.

Anbefalede indsætningsværktøjer står på reservedelslisten til maskinen.

▲ ADVARSEL Vibrationsrisiko

Brug af indsætningsværktøjer, som ikke opfylder nedennævnte kriterier, vil medføre længere arbejdstid til opgaven, og kan medføre udsættelse for højere vibrationsniveauer. Et slidt værktøj medfører også længere arbejdstid.

- ▶ Sørg for, at det indsatte værktøj er godt vedligeholdt, ikke er udslidt og har den rigtige størrelse.
- ▶ Brug altid et skarpt værktøj, så De kan arbejde effektivt.



BEMÆRK Afkøl aldrig et varmt indsætningsværktøj i vand, det kan føre til skørhed og tidligt svigt.

▲ ADVARSEL Udskudt indsætningsværktøj

Hvis værktøjsholderen på maskinen ikke står i låst position, kan værktøjet blive skudt ud med stor kraft og forårsage personskader.

- ▶ Stop maskinen og slå tryklufttilførslen fra, før værktøjet udskiftes, derefter skal maskinen udluftes ved at aktivere start-/stopanordningen.

Før borestålet sættes på

Kontrollér, at værktøjsskaftet har den rette størrelse og længde i forhold til den bøsning, der anvendes. Skaftet skal være rent og værktøjet i god stand. Skafter som er hakkede, afrundede, deformede eller for hårde i slagenden, vil arbejde ineffektivt og medføre for tidlig slitage af stemplet.

Efterse borestålet:

Et sløvt borestål vil nedsætte borehastigheden og overbelaste boremekanismen. Når der skiftes borestål, så sørg for, at det nye har den rigtige størrelse i forhold til den hidtidige boring.

Inden boring skal det kontrolleres, at spulehullet i borestålet ikke er blokeret.

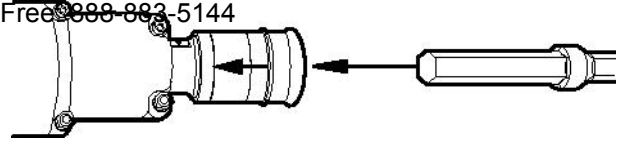
Hvis der findes grater omkring de fire slidser i borestålets skaft, skal de afpudses forsigtigt. Det gør det lettere at sætte borestålet i og fjerne det og sørger for en effektiv drift af patronen.

Montering af indsætningsværktøj

Når indsætningsværktøjet monteres, skal følgende instruktioner følges:

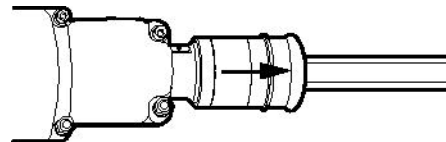
CP 0009

Toll Free 888-883-5144



Træk i værktøjsholderen og hold den tilbage i pilens retning, sæt samtidig indsætningsværktøjet i patronen.

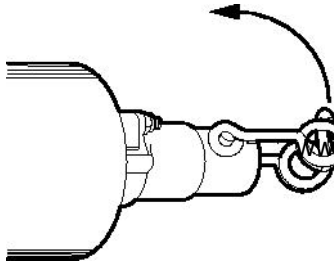
2.



Når indsætningsværktøjet er i bund, låses værktøjsholderen fast ved at den slippes. Kontrollér låsefunktionen ved at trække det indsatte værktøj kraftigt udad.

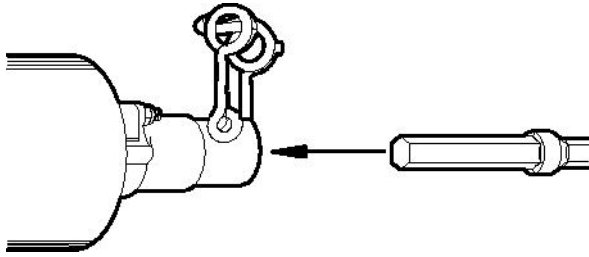
CP 0014

1.



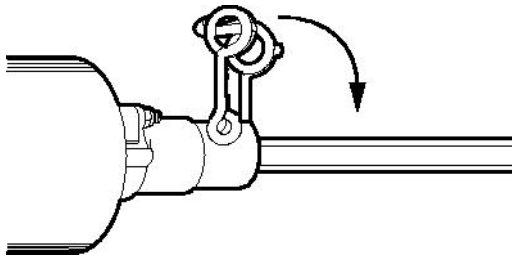
Skub værktøjsholderen opad i pilens retning.

2.



Sæt indsætningsværktøjet i patronen.

3.

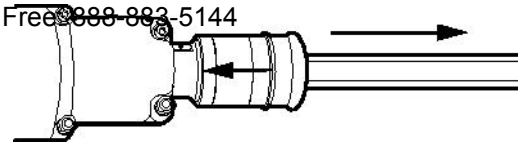


Når indsætningsværktøjet er i bund, skubbes holderen tilbage, så den låses fast.

Afmontering af indsætningsværktøj

Når indsætningsværktøjet afmonteres, skal følgende instruktioner følges:

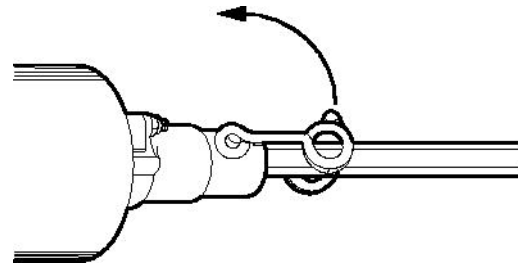
CP 0009



Træk i værktøjsholderen og hold den tilbage i pilens retning, fjern samtidig indsætningsværktøjet ved at trække i det.

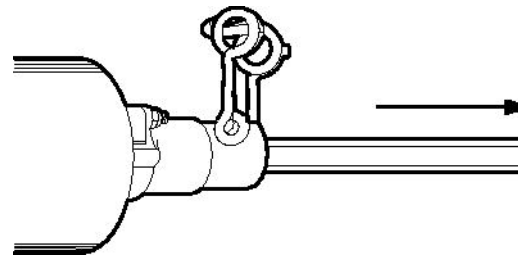
CP 0014

1.



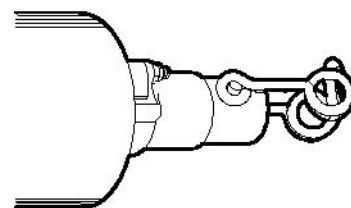
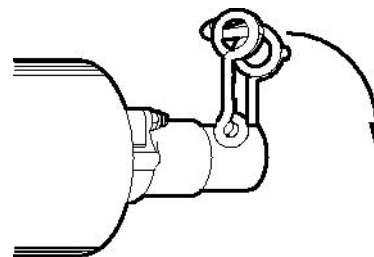
Skub værktøjsholderen opad i pilens retning.

2.



Træk indsætningsværktøjet ud.

3.



Skub værktøjsholderen tilbage.

Betjening

Klargøring inden start

Kontrol af udstyr

www.CrowderSupply.com • Toll Free: 888-883-5144

- ◆ Kontrollér, at hele udstyret er i god tilstand.
- ◆ Kontrollér, at slagfladen på indsætningsværktøjets skaft er flad, uden tegn på slitage.
- ◆ Sørg for at luftindtaget og udstødningsåbningerne ikke er tilstoppede.
- ◆ Kontrollér, at spulehullet i borestålet ikke er blokeret, og at spuleluften kan strømme igennem uden forhindringer.
- ◆ Kontrollér, at fittingerne er korrekt tilspændt og ikke kan lække.

▲ FARE Piskende luftslange

En trykluftslange, der går løs, kan piske frem og tilbage og forårsage personskade eller dødsfald

- ▶ Kontrollér, at trykluftslangen og -forbindelserne ikke er beskadigede.
- ▶ Kontrollér, at alle tryklufttilslutninger er ordentligt sat fast.

Udblæsning af luftslangen

- ◆ Hver dag inden boret tages i brug, skal luftslangen blæses igennem, for at rense slangen for ophobet snavs og fugt.

Fyldning af smøreanordningen med olie

- ◆ Kontrollér, at bøsningen og borestålets skaft altid er tilstrækkeligt olieret.

Start og stop

▲ ADVARSEL Utilsigtet start

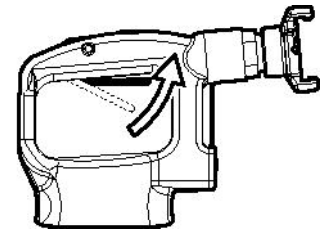
Utilsigtet start af maskinen kan forårsage skader.

- ▶ Hold hænderne væk fra start/stop-anordningen, indtil De er klar til at starte maskinen.
- ▶ Lær hvordan maskinen slås fra, hvis der opstår en nødsituation.
- ▶ Stands maskinen omgående i tilfælde af afbrydelse af kraftforsyningen.

Start og stop

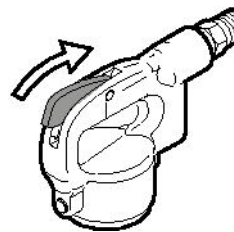


CP 0014

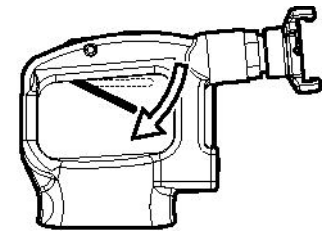


CP 0009

Start maskinen ved at trykke på udløseren, mens De holder godt fast i håndtaget.



CP 0014



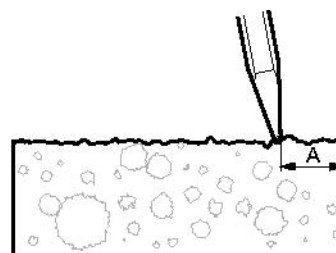
CP 0009

Stop maskinen ved at slippe udløseren. Udløseren går automatisk tilbage til stopstillingen.

Betjening

Start af boring

- ◆ Stå i en stabil stilling, med fødderne i sikker afstand fra det indsatte værktøj.
- ◆ Pres værktøjet mod arbejdsfladen, inden maskinen startes.
- ◆ Start boringen i en sådan afstand fra kanten, at maskinen er i stand til at bryde materialet uden vægtstangsvirkning.
- ◆ Prøv aldrig på at bryde for store stykker af. Tilpas brydeafstanden (A), så indsætningsværktøjet ikke sætter sig fast.



Brydning og boring

- ◆ Brug beskyttelsesko, handsker, hjelm, høreværn og slagfast øjenbeskyttelse med sideskærm.
- ◆ Undgå at arbejde i ekstremt hårde materialer, for eksempel granit og direkte på jernarmeringer, hvad der ville give kraftige vibrationer.
- ◆ Kontroller regelmæssigt, at maskinen er velsmurt.
- ◆ Når maskinen løftes, må udløseren ikke betjenes.
- ◆ Enhver form for tomgang, brug uden indsætningsværktøj eller arbejde med en løftet maskine skal undgås.
- ◆ Stå sikkert, og hold altid fast i maskinen med begge hænder.
- ◆ Pres det indsatte værktøj imod arbejdsfladen, inden maskinen startes.
- ◆ Lad maskinen gøre arbejdet, og undgå at presse for hårdt.

Når der holdes pause

- ◆ Når De holder pause, skal maskinen altid opbevares på en måde, så der ikke er risiko for, at den startes utilsigtet.
- ◆ Ved længere pauser, eller når arbejdspladsen forlades: Sluk først for kraftforsyningen og udluft derefter maskinen ved at aktivere start/stop-anordningen.

Vedligeholdelse

Regelmæssig vedligeholdelse er et grundlæggende krav til fortsat sikker og effektiv brug af maskinen. Følg vedligeholdelsesinstruktionerne omhyggeligt.

- ◆ Rens maskinen, inden vedligeholdelsesarbejderne udføres, så De ikke udsættes for farlige substanser. Se „Støv- og damprisiko“
- ◆ Brug kun godkendte dele. Skader eller fejl, som opstår på grund af ikke-godkendte reservedele, dækkes ikke af garanti eller produktansvar.
- ◆ Ved rensning af mekaniske dele med et opløsningsmiddel, skal gældende sundheds- og sikkerhedsbestemmelser overholdes, og der skal være tilstrækkelig ventilation.
- ◆ Ved behov for et større eftersyn af maskinen, kontaktes nærmeste autoriserede værksted.

- ◆ Kontrollér efter hvert eftersyn, at maskinens vibrationsniveau er normalt. Hvis det ikke er tilfældet, kontaktes nærmeste autoriserede værksted

Hver dag

Før der udføres vedligeholdelse eller skiftes indsætningsværktøj på trykluftmaskiner, skal der altid slukkes for lufttilførslen, og maskinen afluftes ved at trykke på start- og stopanordningen, hvorefter luftslangen tages af maskinen.

- ◆ Rens maskinen og efterse den og dens funktioner hver dag, inden arbejdet begyndes.
- ◆ Foretag et generelt eftersyn for lækager og skader.
- ◆ Kontroller, at luftindgangsnipelen er spændt fast, og at klokoblingen er fri for skader.
- ◆ Kontrollér holderens funktion. Sørg for at den fastlåser indsætningsværktøjet.
- ◆ Udskift omgående beskadigede dele.
- ◆ Udskift slide komponenter i god tid.
- ◆ Kontrollér maskinens gennemgående skruer. Sørg for at de er spændt fast.
- ◆ Hvis maskinen har en lyddæmper, kontrollér den for beskadigelse.

Periodisk vedligeholdelse

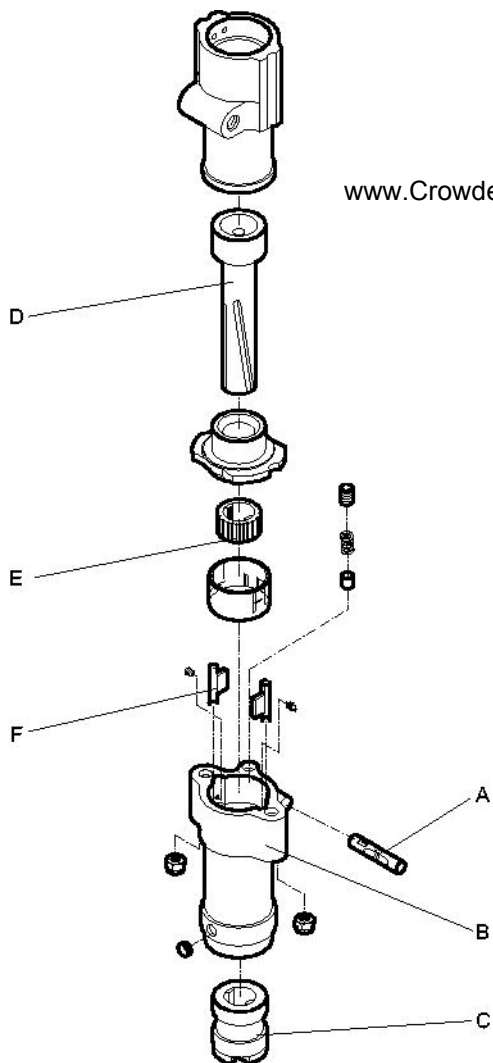
Efter hver brugsperiode, på ca. 100 driftstimer eller tre gange om året, skal maskinen adskilles og alle dele renses og efterses. Dette arbejde skal udføres af autoriseret personale, som er uddannet til denne opgave.

Tilspændingsmomenter

CP 0009	Møtrik til gennemgående skrue	12-14 ft.lbf (16-19 Nm)
CP 0014	Møtrik til gennemgående skrue	20-23 ft.lbf (27-31 Nm)

Samling

Vær opmærksom på følgende, når maskinen samles:



www.CrowderSupply.com • Toll Free: 888-883-5144

Opbevaring

- > Rens maskinen grundigt før den opbevares, så farlige substanser undgås. Se „Støv- og damprisiko“
- > Hæld ca. 1/2 oz (5 cl) olie direkte i luftindtagsniplen, tilslut maskinen til tryklufforsyningen, og lad den køre nogle få sekunder.
- > Maskinen skal altid opbevares på et tørt sted.

Bortskaffelse

En brugt maskine skal behandles og bortskaffes således, at materialet kan genbruges i størst muligt omfang, så enhver negativ påvirkning af miljøet bliver så lav som muligt og i henhold til de lokale forskrifter.

- ◆ Anbring rotationsudløsningens koblingsstempel (A) på forstykket (B) inden samling af patronmuffen (C).
- ◆ Forvis dig om, at den lige not på stemplet (D) går i hak i den lige not på patronmuffen (C) og at spiralnoten på stemplet (D) går i hak i spiralnoten på skraldehjulsringen (E).
- ◆ Saml skraldehjulsringen (E) på forstykket (B), så at de flade sider af skraldehjulstænderne går i hak i enden af palerne (F).
- ◆ Spænd de gennemgående skruer jævnt, så de ikke sidder fast. Drej patronen manuelt efter fastspændingen for at sikre at rotationen er fri.

Tekniske data

Maskinens data

www.CrowderSupply.com • Toll Free: 888-883-5144

Type	Skaftdimension in. (mm)	Vægt lb (kg)	Stempel- boring in. (mm)	Slaglængde in. (mm)	Total længde in. (mm)	Luftforbrug (6 bar) cfm (l/s)	Slagfrekvens (6 bar) Hz (bpm)
CP 0009 A	rund ¾ x 3¼ (rund 19 x 95)	8,82 (4,0)	1,25 (31,8)	1,38 (35)	14,76 (375)	19 (9)	57 (3420)
CP 0009 AC	rund ¾ x 3¼ (rund 19 x 95)	8,82 (4,0)	1,25 (31,8)	1,38 (35)	14,76 (375)	19 (9)	57 (3420)
CP 0009 CS	rund ¾ x 3¼ (rund 19 x 95)	10,14 (4,6)	1,25 (31,8)	1,38 (35)	14,76 (375)	19 (9)	57 (3420)
CP 0009 E	rund ¾ - sekskant ⅝ x 3½ (rund 19 - sekskant 14,7 x 89)	8,82 (4,0)	1,25 (31,8)	1,38 (35)	14,76 (375)	19 (9)	57 (3420)
CP 0009 ES	rund ¾ - sekskant ⅝ x 3½ (rund 19 - sekskant 14,7 x 89)	10,14 (4,6)	1,25 (31,8)	1,38 (35)	14,76 (375)	19 (9)	57 (3420)
CP 0009 F	spline	8,82 (4,0)	1,25 (31,8)	1,38 (35)	14,76 (375)	19 (9)	57 (3420)
CP 0014 RR	sekskant ⅞ x 3¼ (sekskant 22 x 82,5)	14,77 (6,7)	1,87 (47,6)	1,38 (35)	18,50 (470)	47 (22)	42 (2520)
CP 0014 RRBS	sekskant ⅞ x 3¼ (sekskant 22 x 82,5)	15,87 (7,2)	1,87 (47,6)	1,38 (35)	18,50 (470)	47 (22)	42 (2520)

Støj- og vibrationsdeklaration

Garanteret lydeffektniveau **L_w** i henhold til ISO 3744 i overensstemmelse med Direktiv 2000/14/EF.

Lydtryksniveau **L_p** i henhold til ISO 11203.

Vibrationsværdier **A** og usikkerhed **B** fastlagt i henhold til ISO 20643. Se tabel „Støj- og vibrationsdata“ vedrørende værdierne for A, B, etc.

Disse deklarerede værdier er fundet ved typeprøvning i laboratorium i overensstemmelse med det angivne direktiv eller de angivne normer og er egnet til sammenligning med de deklarerede værdier for andet værktøj, som er testet i overensstemmelse med det samme direktiv eller de samme normer. Disse deklarerede værdier er ikke egnede til at anvendes i risikovurderinger, og værdier målt på de enkelte arbejdssteder kan være højere. De faktiske eksponeringsværdier og risici for overlast, der opleves af den enkelte bruger er unikke og afhænger af, hvordan brugeren arbejder, hvilket materiale maskinen anvendes på, samt på eksponeringstiden og brugerens fysiske tilstand og maskinens tilstand.

Vi, Atlas Copco Construction Tools AB, kan ikke holdes ansvarlige for følgerne af at anvende de deklarerede værdier i stedet for værdier, der afspejler den faktiske eksponering i en individuel risikovurdering i en arbejdssituation, som vi ikke har nogen indflydelse på.

Dette værktøj kan give hånd-arm vibrationssyndrom, hvis det ikke anvendes hensigtsmæssigt. En EU-vejledning til håndtering af hånd-armvibration kan findes på <http://www.humanvibration.com/EU/VIBGUIDE.htm>

Vi anbefaler et sundhedsovervågningsprogram med det formål at detektere tidlige symptomer, som kan stå i forbindelse med vibrationseksponering, således at procedurerne kan modificeres med henblik på at forebygge fremtidig skade.

Støj- og vibrationsdata

	Støj		Vibration	
	Deklarerede værdier		Deklarerede værdier	
	Lydniveau	Lydeffekt	Værdier i forhold til tre akser	
	ISO 11203	2000/14/EF	ISO 20643	
Model	Lp r=1m dB(A) rel 20µPa	Lw garanteret dB(A) rel 1pW	A m/s ² værdi	B m/s ² spredning
CP 0009 A (til brydning)	-	-	20,2	2,5
CP 0009 A (til boring)	-	-	21,2	2,6
CP 0009 AC (til brydning)	-	-	20,2	2,5
CP 0009 AC (til boring)	-	-	21,2	2,6
CP 0009 CS (til brydning)	88	103	20,2	2,5
CP 0009 CS (til boring)	88	103	21,2	2,6
CP 0009 E (til brydning)	-	-	20,2	2,5
CP 0009 E (til boring)	-	-	21,2	2,6
CP 0009 ES (til brydning)	88	103	20,2	2,5
CP 0009 ES (til boring)	88	103	21,2	2,6
CP 0009 F (til brydning)	-	-	20,2	2,5
CP 0009 F (til boring)	-	-	21,2	2,6
CP 0014 RR (til brydning)	-	-	35,4	4,5
CP 0014 RR (til boring)	-	-	45,3	5,2
CP 0014 RRBS (til brydning)	-	-	35,4	4,5
CP 0014 RRBS (til boring)	-	-	45,3	5,2

EF-overensstemmelseserklæring

EF-overensstemmelseserklæring (EF-direktiv 2006/42/EF)

Vi, Atlas Copco Construction Tools AB, erklærer hermed, at nedenstående maskiner er i overensstemmelse med bestemmelserne i EF-direktiv 2006/42/EF (Maskindirektiv).

Håndholdte borehamre	Pmax (bar)
CP 0009 CS	6.2
CP 0009 ES	6.2

Autoriseret repræsentant for teknisk dokumentation:

Erik Sigfridsson
Atlas Copco Construction Tools AB
Dragonvägen 2
Kalmar

Administrerende direktør:

Erik Sigfridsson

Producent:

Atlas Copco Construction Tools AB
105 23 Stockholm
Sweden

Sted og dato:

Kalmar, 2010-04-01

NORSK

Innhold

Innledning	www.CrowderSupply.com • Toll-Free: 888-883-5144	221
Om Sikkerhetsinstrukser og bruksanvisning		221
Sikkerhetsinstrukser		222
Signalord		222
Personlige forholdsregler og kvalifikasjoner		222
Installasjon, forholdsregler		222
Drift, forholdsregler		223
Vedlikehold, forholdsregler		226
Lagring, forholdsregler		227
Oversikt		228
Konstruksjon og funksjon		228
Hoveddeler		228
Merker		228
Installasjon		229
Pakke ut boremaskinen		229
Slanger og koplingsstykker		229
Metoder for å forhindre frysing		229
Koble til en vannutskiller		230
Smøring		230
Innsetningsverktøy		230
Bruk		233
Forberedelser før du starter		233
Start og stopp		233
Bruk		233
Når man tar en pause		234
Vedlikehold		234
Hver dag		234
Periodisk vedlikehold		234
Tiltrekningsmoment		234
Montering		234
Lagring		235
Avhending		235
Tekniske data		236
Maskindata		236
Støy- og vibrasjonsdeklarasjoner		236
Støy- og vibrasjonsdata		237
EU Samsvarserklæring		238
EU Samsvarserklæring (EU-direktiv 2006/42/EF)		238

Innledning

Takk for at du har valgt et Chicago Pneumatic-produkt. I over hundre år har Chicago Pneumatic blitt forbundet med ytelse og nyskapning innen den pneumatiske verktøy-industrien. www.CrowderSupply.com • Toll Free: 888-883-5144

I dag tilbyr firmaet en rekke pneumatiske og hydrauliske verktøy som meiselmaskiner, bergboremaskiner, meiselhammere, leirjordgravere, hakker og knusere, scabblers, pumper og mye mer.

Chicago Pneumatic-merket assosieres med kraftige og pålitelige produkter som er enkle å vedlikeholde og som gir god valuta for pengene.

For mer informasjon, gå til: www.cp.com

Atlas Copco Construction Tools AB
105 23 Stockholm
Sverige

Om Sikkerhetsinstrukser og bruksanvisning

Formålet med instruksjonene er å gi deg kunnskap om hvordan du bruker bergboremaskinen på en effektiv, sikker måte. Instruksene gir deg også råd og viser deg hvordan du utfører vedlikehold på bergboremaskinen.

Før du begynner å bruke bergboremaskinen første gang, må du lese disse instruksene nøye og forstå alle sammen.

Sikkerhetsinstrukser

For å redusere faren for alvorlige skader eller død for deg selv eller andre, må du lese og forstå disse sikkerhetsinstrukser og bruksanvisninger før du installerer, bruker, reparerer eller vedlikeholder maskinen, eller skifter deler på den.

Heng opp disse sikkerhetsinstrukser og bruksanvisninger på arbeidsplassen, gi de ansatte kopier av dem og forsikre deg om at alle leser dem før de betjener eller utfører service på maskinen.

I tillegg må operatøren eller operatørens arbeidsgiver vurdere spesifikke risikoer som kan være til stedet ved bruk av maskinen.

Signalord

Signalordene Fare, Advarsel og Forsiktig har følgende betydning:

FARE	Viser til en farlig situasjon som vil føre til alvorlig skade eller død dersom den ikke unngås.
ADVARSEL	Viser til en farlig situasjon som kan føre til alvorlig skade eller død dersom den ikke unngås.
FORSIKTIG	Viser til en farlig situasjon som kan føre til mindre eller moderate skader dersom den ikke unngås.

Personlige forholdsregler og kvalifikasjoner

Vedlikehold eller bruk av maskinen må kun gjøres av kvalifiserte og opplærte personer. De må være i fysisk stand til å håndtere størrelsen, vekten og kraften til verktøyet. Bruk alltid sunn fornuft og god vurderingsevne.

Personlig verneutstyr

Bruk alltid godkjent verneutstyr. Operatører og alle andre personer i arbeidsområdet skal bruke verneutstyr, bestående av minimum:

- > Beskyttelseshjelm
- > Hørselsvern
- > Slagbestandige vernebriller med sidebeskyttelse
- > Åndedrettsvern når det er nødvendig
- > Vernehansker
- > Skikkelig vernestøvler

- > Egnede arbeidsoverall eller tilsvarende bekledning (ikke løstsittende) som dekker armene og beina.

Narkotika, alkohol eller legemidler

▲ ADVARSEL Narkotika, alkohol eller legemidler Toll Free: 888-883-5144

Narkotika, alkohol og legemidler svekker dømmekraften og konsentrasjonsevnen. Dårlig reaksjonsevne eller feilaktige vurderinger kan føre til alvorlige ulykker, også med døden til følge.

- ▶ Bruk aldri maskinen når du er trøtt eller påvirket av narkotika, alkohol eller legemidler.
- ▶ Ingen personer som påvirket av narkotika, alkohol eller legemidler skal bruke maskinen.

Installasjon, forholdsregler

▲ FARE Piskende luftslange

En trykkluftslange som løsner kan slå omkring seg med stor kraft, og forårsake personskade eller død. For å redusere denne risikoen:

- ▶ Sjekk at trykkluftslangene og koblingene ikke er skadet, og skift dem ut om nødvendig.
- ▶ Sjekk at alle trykklufttilkoblingene er skikkelig festet.
- ▶ Bær aldri en pneumatisk maskin ved å holde i luftslangen.
- ▶ Forsøk aldri å kople fra en trykkluftslange som står under trykk. Slå av lufttrykket på luftkompressoren og tøm maskinen for luft ved å sette i gang start og stopp knappen.
- ▶ Rett aldri en trykkluftslange mot deg selv eller andre. Bruk aldri trykkluft til å blåse f.eks. støv, skitt osv. av klærne, da det kan medføre fare for å bli skadet.
- ▶ Ikke bruk hurtigkoplere der innsetningsverktøyet koples til. Bruk gjengede slangearmaturer av herdet stål (eller materialer med tilsvarende støtsikkerhet).
- ▶ Når universale dreibare slangekoplinger (klokkoplinger) brukes, anbefaler vi at låsestifter installeres og at sikkerhetswire brukes for å beskytte mot mulige feilkoplinger mellom slange og verktøy eller mellom slange og slange.

▲ ADVARSEL Utløst innsetningsverktøy

Hvis verktøyholderen på maskinen ikke er satt i en låst posisjon kan det innsatte verktøyet utløses med en kraft, som kan forårsake personskaade.

- ▶ Start aldri maskinen mens innsetningsverktøyet byttes.
- ▶ Før du skifter innsetningsverktøyet eller tilbehør, stopp maskinen, slå av strømtilførselen og tøm maskinen for luft ved å sette i gang start og stopp knappen.
- ▶ Pek aldri med et innsatt verktøy mot deg selv eller andre.
- ▶ Kontroller at verktøyet er fullstendig satt inn og at verktøyholderen er i låst posisjon før maskinen startes.
- ▶ Kontroller låsefunksjonen ved å nappe kraftig i det innsatte verktøyet.

▲ ADVARSEL Flytte / miste innsetningsverktøyet

Ukorrekt dimensjon på spindelen på innsetningsverktøyet kan føre til at innsetningsverktøyet mistes eller glir ut under bruk. Fare for alvorlig skade eller knuste hender og fingre.

- ▶ Kontroller at innsetningsverktøyet har den spindellengden og de dimensjonene maskinen er beregnet for.
- ▶ Bruk aldri et innsetningsverktøy uten mansjett.

Drift, forholdsregler**▲ FARE Eksplosjonsfare**

Dersom et varmt innsetningsverktøy kommer i kontakt med eksplosiver, kan en eksplosjon forekomme. Når du jobber med visse materialer og når visse materialer brukes i maskindeler, kan det oppstå gnister og antenner. Eksplosjoner kan føre til alvorlige skader, også med døden til følge.

- ▶ Bruk aldri maskinen i eksplosive omgivelser.
- ▶ Bruk aldri maskinen i nærheten av brannfarlige materialer, gasser eller støv.
- ▶ Forsikre deg om at det ikke er noen uoppdagete gasskilder eller eksplosiver.
- ▶ Ikke bor i et gammelt hull.

▲ ADVARSEL Uforutsette bevegelser

Innsetningsverktøyet er utsatt for store belastninger når maskinen brukes. Innsetningsverktøyet kan brette på grunn av materialtretthet etter en viss brukstid. Dersom innsetningsverktøyet brette eller svinger, kan det oppstå plutselige uforutsette bevegelser som kan forårsake skader. Videre kan fall eller tap av balanse føre til skader.

- ▶ Sørg for at du alltid inntar en stødig stilling, med føttene like langt fra hverandre som skulderbredden, og hold kroppstygden i balanse.
- ▶ Inspiser alltid utstyret før du bruker det. Bruk aldri utstyr du mistenker for å være skadet.
- ▶ Sørg for at håndtakene er fri for fett og olje.
- ▶ Hold føttene på avstand fra innsetningsverktøyet.
- ▶ Stå støtt og hold alltid i maskinen med begge hender.
- ▶ Bor aldri i et gammelt hull.
- ▶ Start aldri maskinen mens den ligger på bakken.
- ▶ Aldri „ri” på maskinen med ett ben over håndtaket.
- ▶ Utstyret skal ikke utsettes for slag eller spark.
- ▶ Kontroller innsetningsverktøyet jevnlig for slitasje, og kontroller om det har tegn på skade eller synlige sprekker.
- ▶ Vær oppmerksom og se på hva du gjør.

▲ ADVARSEL Fare for fastkjøring

Detsom innsetningsverktøyet setter seg fast under drift, vil hele maskinen begynne å rotere dersom du mister grepet på den. Slik uventet rotering av hele maskinen kan forårsake alvorlige personskaader, også med døden til følge.

- ▶ Stå støtt og hold alltid i maskinen med begge hender.
- ▶ Sørg for at håndtakene er fri for fett og olje.
- ▶ Bor aldri i et gammelt hull.

▲ ADVARSEL Fare for å sitte fast

Det er fare for at skjurf, hår, hansker og klær dras inn i eller setter seg fast i et roterende innsetningsverktøy eller tilbehør. Det kan føre til kvelning, avrivning av hår og hud, eller død. For å redusere risikoene:

- ▶ Et roterende drillstål må aldri gripes fatt i eller berøres.
- ▶ Pass på at klær, skjurf og hansker du har på deg ikke setter seg fast.
- ▶ Langt hår må dekkes med et hårnnett.

▲ ADVARSEL Støv- og røykfarer

Støv og/eller røyk som oppstår når maskinen brukes kan forårsake alvorlige og permanente pustevansker, sykdommer eller annen skader på kroppen (for eksempel silikose eller andre uhelbredelige lungesykdommer som kan være dødelige, Supply.com • Toll Free: 888-883-5144) fosterskader og/eller irritert hud).

Enkelte støv- og røyktyper som oppstår ved boring, knusing, pigging, saging, sliping og andre anleggsaktiviteter inneholder stoffer som anses av staten California og av andre autoriteter til å forårsake pustevansker, kreft, fosterskader og andre reproduksjonsskader). Noen eksempler på slike kjemikalier er:

- > Krystallinsk silika, sement og andre murprodukter.
- > Arsenikk og krom fra kjemisk behandlet gummi.
- > Bly fra blybasert maling.

Støv og røyk i luften kan være usynlig for det bare øyet, så du kan ikke stole på hva du ser for å bedømme om det er støv eller røyk i luften.

For å redusere risikoen for å bli utsatt for røyk og støv, må du gjøre følgende:

- ▶ Utfør risikoanalyse spesifikk for arbeidsplassen. Risikoanalysen må inkludere støv og røyk som oppstår ved bruk av maskinen og potensialet for å virvle opp eksisterende støv.
- ▶ Foreta egnede tekniske tiltak for å redusere mengden støv og røyk i luften og opphopning av støv på utstyr, overflater, klær og kroppsdeler. Eksempler på slike tiltak kan være: avgassventilasjon og støvsamlingssystemer, overrisslingsventiler og våtboring. Kontroller støv og røykutvikling ved kilden hvor det er mulig. Sørg for at tiltakene og utstyret installeres, vedlikeholdes og brukes på riktig måte.
- ▶ Bruk og vedlikehold på riktig måte vernemaske, som instruert av din arbeidsgiver eller som påkrevd av helse-, miljø- og sikkerhetsforskrifter. Vernemasken må være effektiv mot den type stoffer du utsettes for (og må eventuelt være godkjent av relevant autoritet).
- ▶ Jobb i godt ventilerte områder.
- ▶ Hvis maskinen har et utblåsningsrør, må det rettes på en måte som reduserer oppvirvling av støv i støvete miljøer.
- ▶ Betjen og vedlikehold maskinen som anbefalt i disse sikkerhetsinstrukser og bruksanvisninger.

- ▶ Velg, vedlikehold og skift innsetningsverktøyet eller andre utskiftbare deler som anbefalt i disse instruksjonene. Hvis innsetningsverktøyet eller andre utskiftbare deler ikke velges eller vedlikeholdes riktig, kan det forårsake unødvendig økning av støv og røyk.

- ▶ Bruk vaskbare eller deponerbare verneklær på arbeidsområdet. Dusj eller bytt til rene klær før du forlater arbeidsområdet for å redusere eksponering av støv og røyk for deg selv, andre personer, biler, hjem eller andre områder.
- ▶ Unngå å spise, drikke eller bruke tobakkprodukter i områder hvor det er støv eller røyk.
- ▶ Vask hender og ansikt grundig så snart du forlater eksponeringsområdet, og alltid før du spiser, drikker eller bruker tobakkprodukter, eller berører andre personer.
- ▶ Overhold alle gjeldende lover og regler, også innen helse, miljø og sikkerhet.
- ▶ Delta i åndedrettskontroller, medisinske eksaminasjoner, og opplæringsprogrammer som din arbeidsgiver eller fagforening tilbyr deg og som er i henhold til forskrifter og anbefalinger innen helse, miljø og sikkerhet. Kontakt lege med erfaring fra relevant yrkesmedisin.
- ▶ Samarbeid med din arbeidsgiver og din fagforening for å redusere utsettelsen for røyk og støv på arbeidsplassen og for å redusere risikoen. Effektive helse- og sikkerhetsprogrammer, policyer og prosedyrer for å beskytte arbeidere og andre personer mot skadelig utsettelse for støv og røyk må fastsettes og innføres basert på råd fra eksperter innen helse, miljø og sikkerhet. Ta kontakt med eksperter.

▲ ADVARSEL Prosjektiler

Feil på arbeidsmaterialet, tilbehør eller på selve maskinen kan skape prosjektiler med svært høye hastigheter. Under driften kan splinter eller andre partikler fra arbeidsmaterialet opptre som prosjektiler og forårsake personskaade ved å treffe operatøren eller andre personer. For å redusere disse risikoene:

- ▶ Bruk godkjent personlig verneutstyr og vernehjelm, inkludert støtmotstandige vernebriller med sidebeskyttelse.
- ▶ Sørg for at ingen uautoriserte personer kommer inn i arbeidsområdet.
- ▶ Hold arbeidsplassen fri for fremmede objekter.
- ▶ Forsikre deg om at arbeidsmaterialet er forsvarlig festet.

▲ ADVARSEL Fare for splinter

Hvis du bruker innsettingsverktøyet som et håndholdt verktøy, kan du bli truffet av splinter og bli alvorlig skadet.

- Bruk derfor aldri innsettingsverktøyet som et håndholdt verktøy. Det er spesielt tilpasset og varmebehandlet for å kun brukes i maskiner.

▲ ADVARSEL Farer ved å skli, snuble og falle

Det finnes en risiko for å skli, snuble og falle, for eksempel for å snuble i slangen eller i andre gjenstander. Hvis du sklir, snubler eller faller, kan det forårsake skader. For å redusere risikoene:

- Forsikre deg alltid om at det ikke er noen slanger eller andre gjenstander i veien for deg eller andre personer.
- Sørg for at du alltid inntar en stødig stilling, med føttene like langt fra hverandre som skulderbredden, og hold kroppstygnden i balanse.

▲ ADVARSEL Farer vedrørende bevegelse

Når du bruker maskinen til å utføre arbeid, kan du oppleve ubehag i hendene, armene, skuldrene, nakken eller i andre kroppsdeler.

- Innta en komfortabel stilling samtidig som du står stødig og unngår å miste balansen.
- Hvis du bruker maskinen lenge, kan det hjelpe å bytte stilling for å unngå ubehag og tretthet.
- Hvis symptomene vedvarer eller stadig kommer tilbake, bør du ta kontakt med kvalifisert helsepersonell.

▲ ADVARSEL Vibrasjonsfare

Vanlig og korrekt bruk av maskinen utsetter operatøren for vibrasjon. Regelmessig og hyppig eksponering av vibrasjon kan forårsake, bidra til eller forverre skader eller forstyrre operatørens fingre, håndledd, albuer, skuldre og/eller nerver og blodforsyning eller andre kroppsdeler, inkludert svekkelse og/eller permanente skader eller forstyrrelser som kan utvikles gradvis over uker, måneder eller år. Slike skader eller forstyrrelser kan omfatte skader på blodsirkulasjonssystemet, skader på nervesystemet, skader på ledd og mulig skader på andre organer.

Dersom nummenhet, vedvarende ubehag, brennende følelse, stivhet, banking, prikking, smerte, kløenethet, svekket grep, blekhet eller andre symptomer skulle opptre på noe tidspunkt mens maskinen betjenes eller mens den ikke betjenes, må man ikke fortsette å betjene maskinen, men fortelle arbeidsgiveren om det og søke medisinsk hjelp. Hvis du fortsetter å bruke maskinen etter at du oppdager slike symptomer, kan det øke risikoen for at symptomene øker eller blir permanente.

Betjene og vedlikeholde maskinen som anbefalt i disse instruksjonene for å unngå unødvendig økning av vibrasjon.

Følgende tiltak kan redusere eksponeringen av vibrasjon til operatøren:

- La verktøyet gjøre jobben. Bruk det minimale håndgrepet som trengs for å holde kontroll over maskinen og sørg for trygg drift.
- Hvis maskinen har vibrasjonsdempende håndtak, må du holde dem sentralt og unngå å skyve dem til endestoppene.
- Når støtmekanismen aktiveres, skal din eneste kroppskontakt med maskinen være gjennom hendene som du holder på håndtaket eller håndtakene med. Unngå annen kontakt, f.eks. støtte andre deler av kroppen mot maskinen eller lene deg mot maskinen for å øke trykkraften. Det er også viktig at start- og stoppmekanismene ikke er aktivert når verktøyet trekkes opp fra den brutte arbeidsoverflaten.
- Sørg for at det innsatte verktøyet er godt vedlikeholdt (og skarpt, dersom det er et kutteverktøy), ikke slitt og i riktig størrelse. Innsettingsverktøy som ikke er godt vedlikeholdt, eller som er slitte, eller som ikke har riktig størrelse, vil føre til at det tar lengre tid å utføre et arbeid (som gir lengre eksponering til vibrasjon) og kan føre til eller bidra til høyere vibrasjonsnivåer.

- ▶ Stopp arbeidet umiddelbart dersom maskinen brått tar til å vibrere sterkt. Finn og bli kvitt årsaken til den økte vibrasjonen før arbeidet gjenopptas.
- ▶ Ikke grip tak i, hold eller berør det innsatte verktøyet mens maskinen er i bruk.
- ▶ Delta i helseundersøkelser eller helseovervåking, medisinske undersøkelser og treningsprogrammer som tilbys av arbeidsgiveren og når de er lovpålagte.
- ▶ Bruk varme klær og hold hendene varme og tørre når du jobber i kaldt vær.

Se maskinens „Støy- og vibrasjonsdeklarasjoner”, inkludert de oppgitte vibrasjonsverdiene. Denne informasjonen finnes på slutten av denne håndboken „Sikkerhetsinstrukser og bruksanvisning”.

- ◆ Følg anbefalt lufttryknivå når du bruker maskinen. For høyt eller lavt lufttrykk kan føre til økt vibrasjon.

▲ FARE Strømfare

Denne maskinen er ikke strøminsolert. Hvis maskinen kommer i kontakt med elektrisitet, kan det resultere i alvorlig skade eller død.

- ▶ Maskinen må aldri brukes i nærheten av strømledninger eller andre strømkilder.
- ▶ Sørg for at det ikke skjuler seg strømledninger eller andre strømkilder i arbeidsområdet.

▲ ADVARSEL Fare ved skjulte objekter

Skulte kabler og rør utgjør en fare som kan føre til alvorlige skader under arbeidet.

- ▶ Kontroller materialets sammensetning før bruk.
- ▶ Se opp for skjulte kabler og rør som elektrisitet, telefon, vann, gass og kloakkrør, o.l.
- ▶ Dersom det innsatteverktøyet later til å ha truffet et skjult objekt, slå av maskinen umiddelbart.
- ▶ Sørg for at det ikke foreligger noen fare før du fortsetter arbeidet.

▲ ADVARSEL Utilsiktet start

Utilsiktet start av maskinen kan forårsake skade.

- ▶ Hold hendene unna start- og stoppknappene til du er klar til å begynne arbeidet.
- ▶ Lær om hvordan maskinen slås av i tilfelle det skulle oppstå en nødssituasjon.
- ▶ Frigjør startknappen og stopp enheten umiddelbart hvis det oppstår forstyrrelser på lufttilførselen.

- ▶ Før du setter inn eller tar ut innsetningsverktøyet, må du slå av lufttilførselen og tappe ut luften fra maskinen ved å trykke ned start- og stoppavtrekkeren og kople fra strømtilførselen.

▲ ADVARSEL Støyfare

Høye støynivåer kan føre til permanent hørselsskade og tap av hørsel, samt andre problemer som tinnitus (øresus). For å redusere risikoen og forhindre unødvendig økning av støynivå, må du:

- ▶ Foreta en risikovurdering av alle disse farene og implementere passende kontroller.
- ▶ Betjene og vedlikeholde maskinen som anbefalt i disse instruksjonene.
- ▶ Velg, vedlikehold og skift innsetningsverktøyet som anbefalt i disse instruksjonene.
- ▶ Kontroller at lyddemperen er på plass og i god tilstand, hvis maskinen har en lyddemper.
- ▶ Bruk alltid hørselsvern.
- ▶ Bruk dempende materialer for å forhindre at arbeidsmaterialet lager „ringelyder”.

Vedlikehold, forholdsregler

▲ ADVARSEL Maskinmodifisering

Alle maskinmodifikasjoner kan resultere i kroppslige skader for deg selv eller andre.

- ▶ Foreta aldri modifiseringer av maskinen. Modifiserte maskiner dekkes ikke av garantien eller produktansvaret.
- ▶ Bruk alltid originale deler, innsetningsverktøy og tilbehør.
- ▶ Bytt ut skadede deler umiddelbart.
- ▶ Skift ut slitte komponenter i god tid.

▲ FORSIKTIG Varmt innsetningsverktøy

Tuppen på innsetningsverktøyet kan bli varmt og skarpt når det brukes. Berøring kan føre til brannskader eller kuttskader.

- ▶ Et varmt eller skarpt innsetningsverktøy må ikke berøres.
- ▶ Vent til innsetningsverktøyet er avkjølt før du utfører vedlikeholdsarbeid.

▲ ADVARSEL Farer vedrørende innsettingsverktøyet

Hvis man trykker på start- og stoppavtrekkeren ved et uhell under vedlikehold eller installering, kan det forårsake alvorlige skader hvis maskinen er koplet til strøm.

www.CrowderSupply.com • Toll Free: 888-883-5144

- ▶ Du må derfor aldri undersøke, rengjøre, sette inn eller ta ut innsettingsverktøyet når maskinen er koplet til strøm.

Lagring, forholdsregler

- ◆ Oppbevar maskinen og verktøyene på et sikkert og låsbart sted, utilgjengelig for barn.

Oversikt

For å redusere faren for alvorlig skade eller død for deg selv og andre, les avsnittet Sikkerhetsinstruksjoner på de foregående sidene av denne håndboken for uttarmaskinen i bruk.

Konstruksjon og funksjon

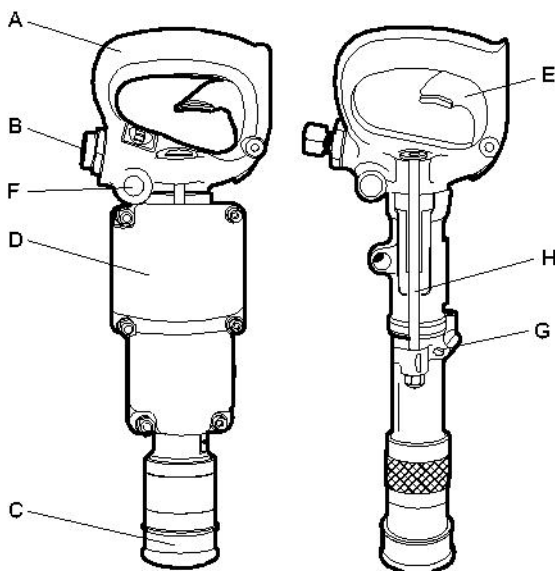
CP 0009 og CP 0014 er kombinerte hammer- og boremaskiner konstruert for horisontal og vertikal bruk.

CP 0009 er utstyrt med en hurtigutløsende holder og roterer mot høyre. Maskinen kan tilpasses for boring eller knusing ved å skifte innsetningsverktøy eller ved å aktivere rotasjonsutløseren, avhengig av modellen. Eksempler på bruk er boring, meisling og rissing i betong og murstein. Annen bruk er ikke tillatt.

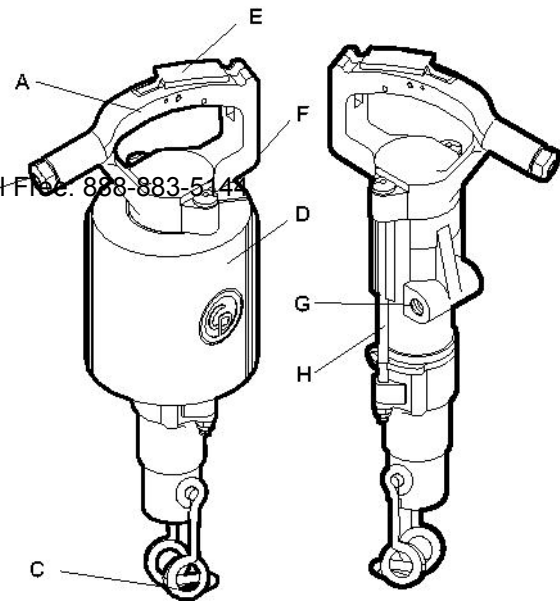
CP 0014 er utstyrt med en fjæret holder og roterer mot høyre. Maskinen kan tilpasses for boring eller knusing ved å aktivere rotasjonsutløseren. Eksempel på bruk som bergboremaskin er boring i granitt, betong, kalkstein og murstein, eller i lignende materialer. Som hammer kan den brukes til meisling og rissing i betong og murstein. Annen bruk er ikke tillatt.

Se delelisten for å velge riktig innsetningsverktøy.

Hoveddeler



CP 0009



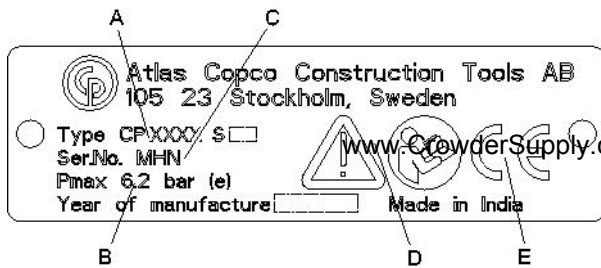
CP 0014

- A. Håndtak
- B. Luftinntaksnippel
- C. Verktøyholder
- D. Lyddemper
- E. Avtrekker
- F. Smører
- G. Rotasjonsutløser
- H. Gjennomgående bolt

Merker

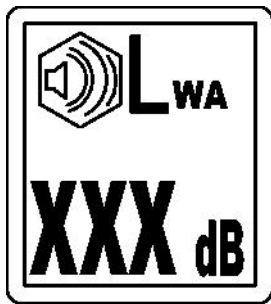
Maskinen er utstyrt med merker som inneholder viktig informasjon om personlig sikkerhet og vedlikehold av maskinen. Disse merkene skal være i en tilstand som gjør det enkelt å lese dem. Nye merker kan bestilles fra reservedellisten.

Typeskilt



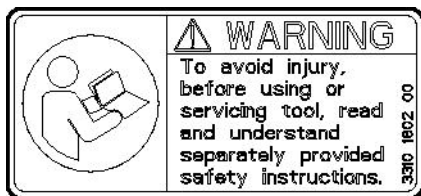
- A. Maskintype
- B. Maksimalt tillatt lufttrykk
- C. Serienummer
- D. Varseltrekanten sammen med boksymbolet betyr at brukeren må lese sikkerhets- og bruksinstruksjonene før maskinen brukes for første gang.
- E. CE-symbolet betyr at maskinen er CE-godkjent. Se CE-erklæringen som er medsendt maskinen for ytterligere informasjon. Hvis CE-symbolet mangler, betyr det at maskinen ikke er CE-godkjent.

Støynivåmerke



Dette merket indikerer garantert støynivåindikator i henhold til EU-direktiv 2000/14/EC. Se „Tekniske data“ for nøyaktig støynivå.

Sikkerhetsskilt



Før du begynner å bruke eller utføre service på maskinen, må du lese og forstå sikkerhetsinstruksjoner levert separat for å unngå at det oppstår skade.

Installasjon

Pakke ut boremaskinen

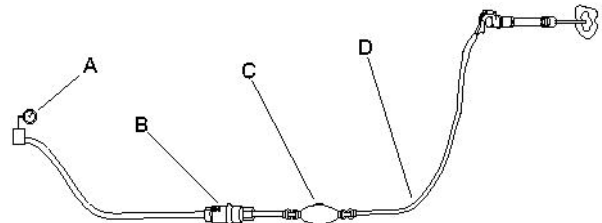
Plastsperrer

Før boremaskinen brukes for første gang, må alle plastsperrer i slangenipler fjernes.

Smøring

Etter du har pakket ut og montert verktøyet, tøm en rikelig mengde med smøreolje i lufttilkoblingen.

Slanger og koplingsstykker



- A. Trykkluftskilde
 - B. Vannseparator (ekstrautstyr)
 - C. Oljesmører (alternativ)
 - D. Maks 10 feet (3 meter) trykkluftslange mellom smøreapparatet og maskinen.
- ♦ Kontroller at du bruker anbefalt driftstrykk, 87 psig (6 bar (e)).
 - ♦ Du må ikke bruke høyere trykk enn det maksimalt tillatte driftstrykket, 90 psig (6,2 bar (e)).
 - ♦ Blås ut smuss av trykkluftsslengen før du kopler den til maskinen.
 - ♦ Velg riktig diameter og lengde på trykkluftsslengen. For slangelengder opp til 100 feet (30 meter), skal en slange med en minimum innvendig diameter på 3/4" (19 mm) brukes. Hvis slagelengden er mellom 100 og 330 feet (30 og 100 meter), skal en slange med en minimum innvendig diameter på 1" (25 mm) brukes.

Metoder for å forhindre frysing

Isdannelse i lydtemperen kan oppstå når lufttemperaturen er 32-50 °F (0-10°C) og den relative luftfuktigheten er høy.

Maskinen er laget for å unngå isdannelse i lyddemperen. På tross av dette kan det bli dannet is på lyddemperen under ekstreme forhold.

Du kan bruke en vannutskiller for å forhindre isdannelse ytterligere.

www.CrowderSupply.com • Toll Free: 888-883-5144

Koble til en vannutskiller

Lengden på slangen mellom kompressoren og vannutskilleren må være nok til at vanddampen er avkjølet og kondensert i slangen før den når vannutskilleren.

Dersom omgivelsestemperaturen er under 32 °F (0 °C) må slangen være kort nok til å forhindre at vannet fryser før det når vannutskilleren.

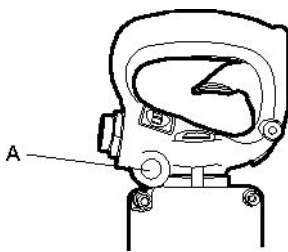
Smøring

Smøring er viktig for maskinens funksjoner og har en stor innvirkning på levetiden.

Indikasjon på riktig smøring er at det finnes oljetåke i utblåsningsluften, samt spor av olje på bor- eller adapterspindelen. For mye smøring kan forårsake startproblemer, lav kraft eller ujevn ytelse.

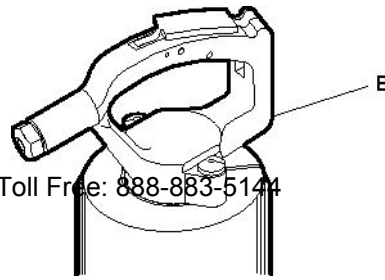
Den innebygde oljesmøreren må sjekkes og fylles regelmessig for at riktig mengde olje skal tilføres. I tillegg anbefales det å brukes et smøreapparat for lufttilførselen for å forsikre at riktig mengde smøring tilføres konstant.

Anbefalt smøring: Olje til bergboremaskin med en viskositet på 100-150 SUS ved 100 °F (ISO VG 22-32).



CP 0009

Daglig før bruk og etter hver fjerde driftstime: Fjerne pluggen (A), sett filteren og fyll oljebeholderen med anbefalt olje.



CP 0014

Daglig før bruk og etter hver fjerde driftstime: Fjerne pluggen (B) og fyll oljebeholderen med anbefalt olje.

Innsetningsverktøy

▲ FORSIKTIG Varmt innsetningsverktøy

Tuppen på innsetningsverktøyet kan bli varmt og skarpt når det brukes. Berøring kan føre til brannskår eller kuttskader.

- ▶ Et varmt eller skarpt innsetningsverktøy må ikke berøres.
- ▶ Vent til innsetningsverktøyet er avkjølt før du utfører vedlikeholdsarbeid.

Valg av riktig innsetningsverktøy

Valg av riktig innsetningsverktøy er en forutsetning for korrekt maskinfunksjon. Det er viktig å velge verktøy av høy kvalitet for å unngå unødvendig maskinskade.

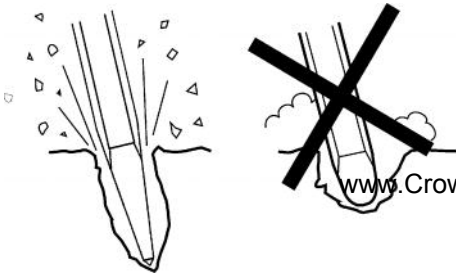
Maskinen kan bli ødelagt ved bruk av feilaktig innsetningsverktøy.

Anbefalt innsetningsverktøy er listet opp i maskinens reservedelsliste.

▲ ADVARSEL Vibrasjonsfare

Bruk av innsetningsverktøy som ikke oppfyller kriteriene nedenfor vil føre til at det tar lengre tid å utføre et arbeid og at vibrasjonseksposeringen blir større. Et sløvt verktøy vil også øke tiden det tar å utføre et arbeid.

- ▶ Sørg for at det innsatte verktøyet er godt vedlikeholdt, ikke slitt og at det har riktig størrelse.
- ▶ Bruk alltid et skarpt verktøy for å jobbe effektivt.



LES DETTE Kjøl aldri ned et varmt innsettingsverktøy i vann. Det kan resultere i sprøhet og at skader oppstår tidlig.

▲ ADVARSEL Utløst innsettingsverktøy

Hvis verktøyholderen på maskinen ikke er satt i en låst posisjon kan det innsatte verktøyet utløses med en kraft, som kan forårsake personskade.

- ▶ Før du skifter innsettingsverktøyet, stopp maskinen, slå av luftkompressoren og tøm maskinen for luft ved å sette i gang start og stopp knappen.

Før du monterer borestålet

Sjekk at spindelen til verktøyet er av korrekt størrelse og lengde for chucken som brukes. Spindelen må være ren og verktøyet må være i god stand. Spindler som er kuttet, avrundet, skjeve eller for harde i støtenden vil operere ueffektivt og forårsake tidlige feil med stempet.

Undersøk borestålet:

Et sløvt borestål vil redusere borehastigheten og overbelaste boremekanismen. Når du endrer borestål må du sørge for at det nye borestålet er i korrekt størrelse i henhold til ditt forrige bor.

Før du borer, må du sjekke at spylehullet i borestålet ikke er blokkert.

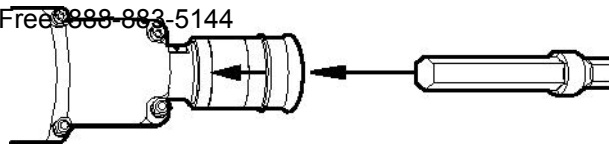
Hvis det finnes ujevnheter rundt de fire kulesporene i spindelen til borestålet, må du polere dem forsiktig. Det vil gjøre det enklere å sette inn og ta ut borestålet, og det vil også føre til en mer effektiv drift av chucken.

Montering av innsettingsverktøyet

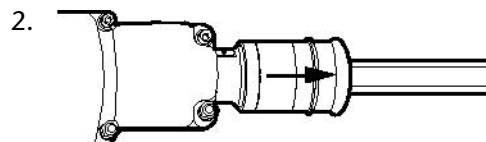
Når du monterer innsettingsverktøyet må følgende instruksjoner overholdes:

CP 0009

Toll Free 888-883-5144



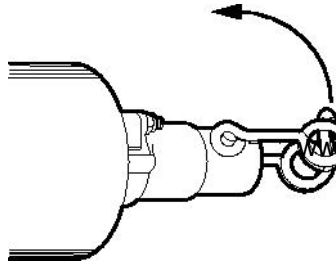
Dra i verktøyholderen og hold den bakover i pilens retning mens du setter i innsettingsverktøyet.



Når innsettingsverktøyet når bunnen, låser du verktøyholderen ved å slippe den. Kontroller låsefunksjonen ved å nappe kraftig i det innsatte verktøyet.

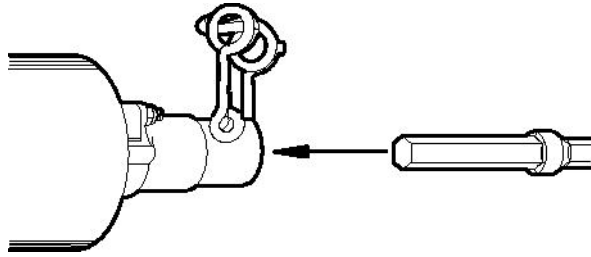
CP 0014

1.



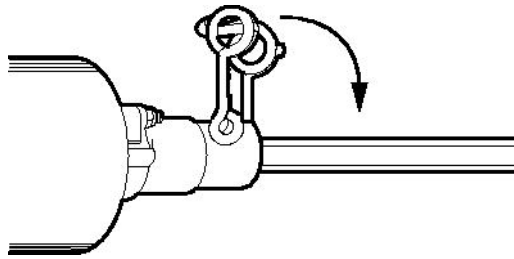
Dytt verktøyholderen oppover i pilens retning.

2.



Sett inn innsetningsverktøyet i chucken.

3.

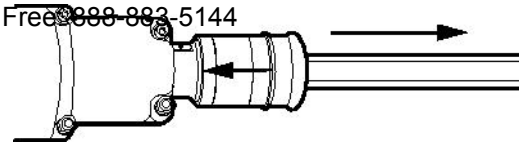


Når innsetningsverktøyet når bunnen, låser du verktøyholderen ved å skyve den tilbake.

Demontering av innsetningsverktøyet

Når du demonterer innsetningsverktøyet må følgende instruksjoner overholdes:

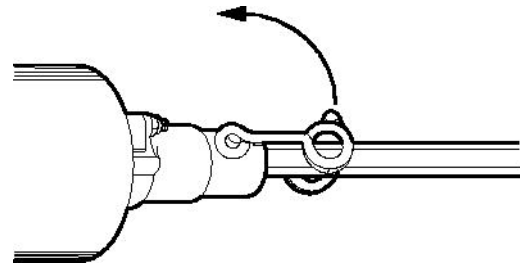
CP 0009



Dra i verktøyholderen og hold den bakover i pilens retning samtidig som du drar ut innsetningsverktøyet.

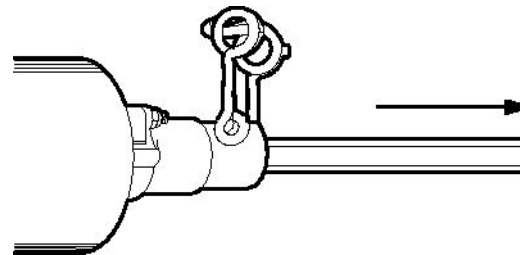
CP 0014

1.



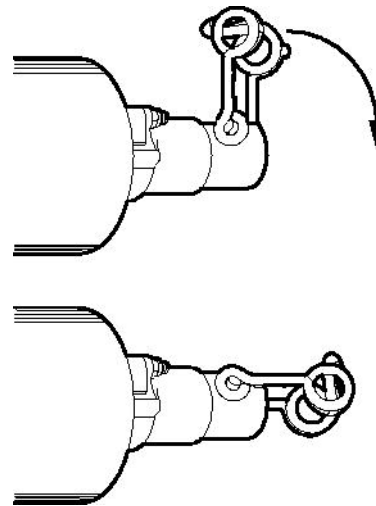
Dytt verktøyholderen oppover i pilens retning.

2.



Dra ut innsetningsverktøyet.

3.



Dytt tilbake verktøyholderen.

Bruk

Forberedelser før du starter

Sjekk utstyret

www.CrowderSupply.com • Toll Free: 888-883-5144

- ◆ Sjekk at alt utstyret er i god stand.
- ◆ Sjekk at anslagsflaten til innsettingsverktøyets spindel er flat, uten noen tegn på slitasje.
- ◆ Sjekk at luftinntaket og utblåsningsportene ikke blokkeres.
- ◆ Sjekk at spyleluftshullet i borestålet ikke er blokkert og at spyleluft strømmer gjennom uten hindring.
- ◆ Kontroller at alle koblinger er stramme og sikret mot lekkasje.

▲ FARE Piskende luftslange

En trykkluftslange som løsner kan slå omkring seg med stor kraft, og forårsake personskade eller død.

- ▶ Sjekk at trykkluftslangene og koblingene ikke er skadet.
- ▶ Sjekk at alle trykklufttilkoblingene er skikkelig festet.

Blås ut luftslangen

- ◆ Hver dag før bruk av bormaskinen, må luftslangen blåses ren for skitt og fuktighet.

Fyll opp smøreapparatet med olje

- ◆ Sjekk at chucken og borets spindel alltid er dekt med et lag med olje.

Start og stopp

▲ ADVARSEL Utilsiktet start

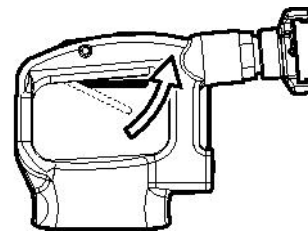
Utilsiktet start av maskinen kan forårsake skade.

- ▶ Hold hendene unna start- og stoppknappene til du er klar til å begynne arbeidet.
- ▶ Lær om hvordan maskinen slås av i tilfelle det skulle oppstå en nødssituasjon.
- ▶ Stopp alltid maskinen umiddelbart hvis strømtilførselen avbrytes.

Start og stopp

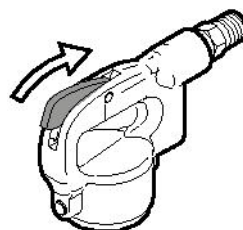


CP 0014

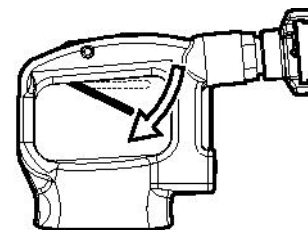


CP 0009

Start maskinen ved å trykke på avtrekkeren mens du holder et godt tak i håndtaket.



CP 0014



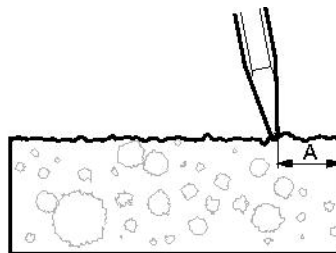
CP 0009

Stopp maskinen ved å slippe avtrekkeren. Avtrekkeren går automatisk tilbake til stopp-posisjonen.

Bruk

Starte et kutt

- ◆ Innta en stødig stilling med føttene på god avstand fra det innsatte verktøyet.
- ◆ Press maskinen mot arbeidsoverflaten før start.
- ◆ Ta anslag i en slik avstand fra kanten at maskinen kan bryte materiale uten vektstangkraft.
- ◆ Ikke prøv å bryte av for store biter. Juster avstanden (A) slik at innsettingsverktøyet ikke sitter fast.



Knusing og boring

- ◆ Bruk vernesko, hansker, hjelm, hørselsvern og støtsikkert øyevern med sidebeskyttelse.
- ◆ Unngå å arbeide i ekstremt harde materialer, f.eks. granitt og armeringsjern (armeringsstenger), da det vil forårsake betydelige vibrasjoner.
- ◆ Kontroller regelmessig at maskinen får nok smøring.
- ◆ Når maskinen er løftet, må ikke avtrekkeren aktiveres.
- ◆ Unngå enhver form for tomgangskjøring, bruk uten innsatt verktøy eller bruk med løftet maskin.
- ◆ Hold en stabil arbeidsstilling og hold alltid maskinen med begge hendene.
- ◆ Hold innsetningsverktøyet hardt mot arbeidsflaten før du starter maskinen.
- ◆ La maskinen gjøre arbeidet; ikke trykk for hardt.

Når man tar en pause

- ◆ Under alle pauser må maskinen settes unna slik at det ikke er noen risiko for utilsiktet start.
- ◆ Ved lange pauser eller når man forlater arbeidsplassen: Slå av strømtilførselen og tøm maskinen for luft ved å sette i gang start- og stopp-knappen.

Vedlikehold

Jevnlig vedlikehold er en grunnforutsetning for fortsatt sikker og effektiv bruk av maskinen. Følg vedlikeholdsinstruksjonene nøye.

- ◆ Rengjør maskinen før du starter vedlikeholdet på den for å unngå å bli utsatt for skadelige stoffer. Se „Støv- og røykfarer”
- ◆ Bruk bare autoriserte deler. Skade eller feilfunksjon som skyldes bruk av uautoriserte deler blir ikke dekket av garantien eller produktansvaret.
- ◆ Når mekaniske deler rengjøres med løsemidler, må gjeldende helse- og sikkerhetsforskrifter følges, og man må sørge for tilstrekkelig ventilasjon.
- ◆ For større vedlikehold av maskinen, kontakt ditt nærmeste autoriserte verksted.

- ◆ Kontroller at maskinens vibrasjonsnivå er normalt etter hver service. Hvis ikke, må du kontakte nærmeste autoriserte verksted.

Hver dag

www.CrowderSupply.com • Toll Free: 888-883-5144

Før du foretar noe vedlikehold eller skifte av innsetningsverktøyet på trykkluftmaskiner, må du alltid slå av lufttilførselen og tappe ut luften fra maskinen ved å trykke ned start og stoppavtrekkeren. Koble deretter luftslangen fra maskinen.

- ◆ Rengjør og undersøk maskinen og funksjonene dens hver dag før du begynner å jobbe med den.
- ◆ Utfør en generell inspeksjon for lekkasje og skade.
- ◆ Sjekk at luftinntaknippelen er strammet til, og at kløkoplingen ikke er skadet.
- ◆ Sjekk at holderen fungerer. Forsikre deg om at den holder innsetningsverktøyet på plass.
- ◆ Bytt ut skadede deler umiddelbart.
- ◆ Skift ut slitte komponenter i god tid.
- ◆ Kontroller de gjennomgående boltene til maskinen. Forsikre deg om at de er godt festet.
- ◆ Hvis maskinen er utstyrt med lydtemper, må du sjekke om den er skadd.

Periodisk vedlikehold

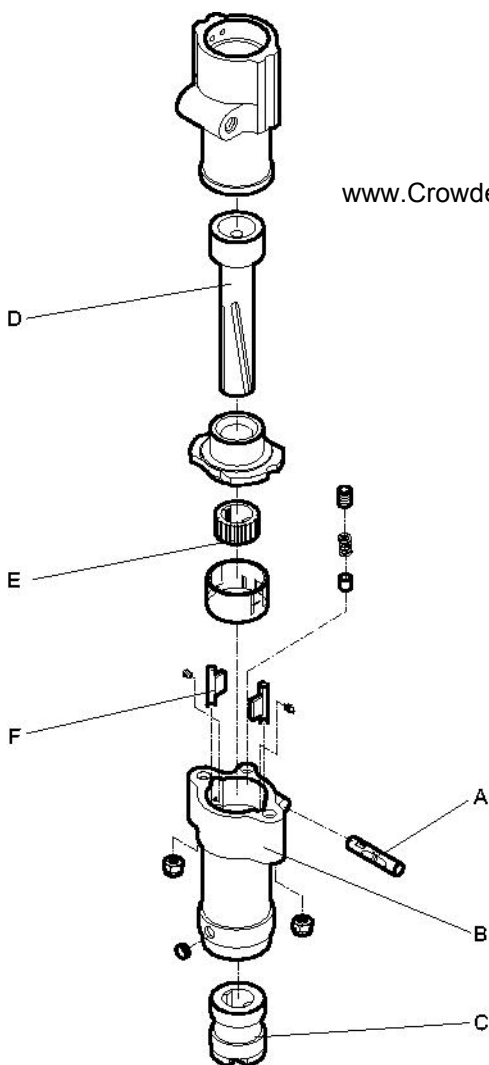
Etter en driftsperiode på ca 100 arbeidstimer eller tre ganger i året, må maskinen demonteres og alle deler renses og sjekkes. Dette arbeidet må utføres av autorisert personell som er opplært til denne oppgaven.

Tiltrekningsmoment

CP 0009	Mutter til gjennomgående bolt	12-14 ft.lbf (16-19 Nm)
CP 0014	Mutter til gjennomgående bolt	20-23 ft.lbf (27-31 Nm)

Montering

Når du monterer maskinen, må du være oppmerksom på følgende:



www.CrowderSupply.com • Toll Free: 888-883-5144

Lagring

- > Rengjør maskinen før du setter den bort for å unngå å bli utsatt for skadelige stoffer. Se „Støv- og røykfarer”
- > Tøm ca 1/2 oz (5 cl) olje rett på luftinntaknipplene, koble maskinen til trykklufttilførselen og kjør den i et par sekunder.
- > Lagre maskinen på et tørt sted.

Avhending

En utslitt maskin må behandles og avhendes på en slik måte at flest mulig deler av materialet kan resirkuleres og at negativ innvirkning på miljøet blir holdt så lavt som mulig og i henhold til lokale forskrifter.

- ◆ Sett rotasjonsutløsningsstempelet (A) i fronthodet (B) før du monterer chuckhylsen (C).
- ◆ Forsikre deg om at den rette kilen på stempelet (D) kobler seg til den rette kilen på chuckhylsen (C), og at spiralkilen på stempelet (D) kobler seg til spiralkilen på sperreringen (E).
- ◆ Monter sperreringen (E) i fronthodet (B), så flatene til tennene i sperreringen kobler seg til endene til sperrelinkene (F).
- ◆ Skru til de gjennomgående boltene jevnt for å forhindre fastsetting. Etter å ha skrudd til, roterer du chocken manuelt for å forsikre deg om at den roterer fritt.

Tekniske data

Maskindata

www.CrowderSupply.com • Toll Free: 888-883-5144

Type	Spindeldimensjon in. (mm)	Vekt lb (kg)	Stempel- diameter in. (mm)	Slaglengde in. (mm)	Total lengde in. (mm)	Lufforbruk (6 bar) cfm (l/s)	Slagfrekvens (6 bar) Hz (bpm)
CP 0009 A	Rund ¾ x 3¾ (Rund 19 x 95)	8,82 (4,0)	1,25 (31,8)	1,38 (35)	14,76 (375)	19 (9)	57 (3420)
CP 0009 AC	Rund ¾ x 3¾ (Rund 19 x 95)	8,82 (4,0)	1,25 (31,8)	1,38 (35)	14,76 (375)	19 (9)	57 (3420)
CP 0009 CS	Rund ¾ x 3¾ (Rund 19 x 95)	10,14 (4,6)	1,25 (31,8)	1,38 (35)	14,76 (375)	19 (9)	57 (3420)
CP 0009 E	Rund ¾ - Sekskant ⅝ x 3½ (Rund 19 - Sekskant 14,7 x 89)	8,82 (4,0)	1,25 (31,8)	1,38 (35)	14,76 (375)	19 (9)	57 (3420)
CP 0009 ES	Rund ¾ - Sekskant ⅝ x 3½ (Rund 19 - Sekskant 14,7 x 89)	10,14 (4,6)	1,25 (31,8)	1,38 (35)	14,76 (375)	19 (9)	57 (3420)
CP 0009 F	kile	8,82 (4,0)	1,25 (31,8)	1,38 (35)	14,76 (375)	19 (9)	57 (3420)
CP 0014 RR	Sekskant ⅞ x 3¼ (Sekskant 22 x 82,5)	14,77 (6,7)	1,87 (47,6)	1,38 (35)	18,50 (470)	47 (22)	42 (2520)
CP 0014 RRBS	Sekskant ⅞ x 3¼ (Sekskant 22 x 82,5)	15,87 (7,2)	1,87 (47,6)	1,38 (35)	18,50 (470)	47 (22)	42 (2520)

Støy- og vibrasjonsdeklarasjoner

Garantert lydeffektsnivå **L_w** iht. ISO 3744 iht. direktiv 2000/14/EC.

Lydtrykknivå **L_p** iht. ISO 11203.

Vibrasjonsverdi **A** og usikkerhet **B** bestemt i henhold til ISO 20643. Se tabellen „Støy og vibrasjonsdata” for verdiene A, B etc.

Disse verdiene er oppnådd ved laboratorietesting i henhold til de meddelte direktiver eller standarder og er hensiktsmessig for sammenligning med de erklærte verdiene av andre verktøy testet i samsvar med de samme direktivene eller standarder. Disse meddelte verdiene er ikke tilstrekkelige for bruk i risikotaksering og verdier målt på individuelle arbeidsplasser kan være høyere. De faktiske eksponeringsverdiene og risikoen for skade opplevd av en individuell bruker er unike og avhenger av arbeidsmåten, hvilket materiale maskinen brukes på, i tillegg til eksponeringstid og brukerens fysiske tilstand, og maskinens tilstand.

Vi, Atlas Copco Construction Tools AB, kan ikke holdes ansvarlige for konsekvenser oppstått ved bruk av deklarete verdier, i stedet for verdier som reflekterer den faktiske eksponeringen, i en individuell risikotaksering på en arbeidsplass har vi ikke kontroll over situasjonen over.

Dette verktøyet kan forårsake hånd-arm vibrasjonssyndrom hvis bruken ikke er tilstrekkelig godt utført. En EU-guide om hvordan man kan håndtere vibrasjoner i hånd og arm finner du her:
<http://www.humanvibration.com/EU/VIBGUIDE.htm>

Vi anbefaler et program på helsekontroll for å oppdage tidlige symptomer som kan relateres til vibrasjonseksponering, slik at ledelsesprosedyrene kan modifiseres for å hjelpe til med å forhindre svekkelser i framtiden.

Støy- og vibrasjonsdata

	Lyd		Vibrasjon	
	Oppgitte verdier		Oppgitte verdier	
	Lyddrykk	Lydeffekt	Tre akseverdier	
	ISO 11203	2000/14/EC	ISO 20643	
Modell	Lp r=1m dB(A) rel 20µPa	Lw garantert dB(A) rel 1pW	A m/s ² verdi	B m/s ² spredning
CP 0009 A (for knusing)	-	-	20,2	2,5
CP 0009 A (for boring)	-	-	21,2	2,6
CP 0009 AC (for knusing)	-	-	20,2	2,5
CP 0009 AC (for boring)	-	-	21,2	2,6
CP 0009 CS (for knusing)	88	103	20,2	2,5
CP 0009 CS (for boring)	88	103	21,2	2,6
CP 0009 E (for knusing)	-	-	20,2	2,5
CP 0009 E (for boring)	-	-	21,2	2,6
CP 0009 ES (for knusing)	88	103	20,2	2,5
CP 0009 ES (for boring)	88	103	21,2	2,6
CP 0009 F (for knusing)	-	-	20,2	2,5
CP 0009 F (for boring)	-	-	21,2	2,6
CP 0014 RR (for knusing)	-	-	35,4	4,5
CP 0014 RR (for boring)	-	-	45,3	5,2
CP 0014 RRBS (for knusing)	-	-	35,4	4,5
CP 0014 RRBS (for boring)	-	-	45,3	5,2

EU Samsvarserklæring

EU Samsvarserklæring (EU-direktiv 2006/42/EF)

Vi, Atlas Copco Construction Tools AB, erklærer herved at maskinene listet opp under er i samsvar med bestemmelsene i EU-direktiv 2006/42/EF (Maskindirektiv).

Håndholdte roterende hammere	Pmaks (bar)
CP 0009 CS	6.2
CP 0009 ES	6.2

Autorisert representant til teknisk dokumentasjon:

Erik Sigfridsson
 Atlas Copco Construction Tools AB
 Dragonvägen 2
 Kalmar

General Manager:

Erik Sigfridsson

Fabrikant:

Atlas Copco Construction Tools AB
 105 23 Stockholm
 Sweden

Sted og dato:

Kalmar, 2010-04-01

www.CrowderSupply.com • Toll Free: 888-883-5144

Crowder Supply Co., Inc. • 8495 Roslyn St., Commerce City, CO 80022 • Toll Free: 888-883-5144 • www.CrowderSupply.com

SVENSKA

Innehåll

Inledning	www.CrowderSupply.com • Toll Free: 888-883-5144.....	241
Om säkerhetsinstruktionen och bruksanvisningen		241
Säkerhetsinstruktioner		242
Säkerhetssymboler.....		242
Personliga försiktighetsåtgärder och utbildning.....		242
Installation, säkerhetsåtgärder.....		242
Drift, säkerhetsåtgärder.....		243
Underhåll, säkerhetsåtgärder.....		247
Förvaring, säkerhetsåtgärder.....		247
Översikt		248
Konstruktion och användningsområde.....		248
Maskinens huvuddelar.....		248
Dekaler.....		249
Installation		249
Uppackning av bormaskinen.....		249
Slangar och anslutningar.....		249
Åtgärder för att förhindra frysning.....		250
Ansluta en vattenavskiljare.....		250
Smörjning.....		250
Insatsverktyg.....		250
Drift		253
Åtgärder före start.....		253
Start och stopp.....		253
Drift.....		253
När du tar rast.....		254
Underhåll		254
Dagligen.....		254
Regelbundet underhåll.....		254
Åtdragningsmoment.....		254
Montering.....		254
Förvaring		255
Kassering		255
Tekniska specifikationer		256
Maskindata.....		256
Buller- och vibrationsdeklaration.....		256
Buller- och vibrationsdata.....		257
EG-deklaration om överensstämmelse		258
EG-deklaration om överensstämmelse (EG-direktiv 2006/42/EG).....		258

Inledning

Tack för att du väljer produkter från Chicago Pneumatic. I över ett sekel har varumärket Chicago Pneumatic stått för prestanda och förnyelse inom industrin för tryckluftsverktyg. www.CrowderSupply.com • Toll Free: 888-883-5144

I dag återfinns varumärket på ett brett sortiment av trycklufts- och hydrauliska verktyg, däribland hydraulhammare, bergbormaskiner, mejselhammare, lergrävare, rost- och svetshackor, fräsar, pumpar och mycket annat.

Chicago Pneumatics varumärke är förknippat med kraftfulla och pålitliga produkter som är enkla att underhålla och ger god valuta för pengarna.

För mer information gå in på: www.cp.com

Atlas Copco Construction Tools AB
105 23 Stockholm
Sverige

Om säkerhetsinstruktionen och bruksanvisningen

Syftet med säkerhetsinstruktionen och bruksanvisningen är att ge dig kunskap om hur man använder bergbormaskinen på ett effektivt och säkert sätt. Du får även råd och information om hur du ska utföra det regelbundna underhållet av bergbormaskinen.

Innan du använder bergbormaskinen för första gången måste du läsa igenom dessa instruktioner noggrant och vara säker på att du förstår dem helt och hållet.

Säkerhetsinstruktioner

För att minska risken för att du själv eller andra ska råka ut för allvarliga skador eller dödsfall bör du läsa och förstå denna Säkerhetsinstruktion och bruksanvisning innan du installerar, använder, reparerar, underhåller eller byter tillbehör på maskinen.

Sätt upp denna Säkerhetsinstruktion och bruksanvisning på arbetsplatsen, dela ut kopior till de anställda och se till att alla läser den innan de använder eller utför service på maskinen.

Dessutom ska användaren eller användarens arbetsgivare genomföra en bedömning av de specifika risker som kan förekomma varje gång maskinen är i drift.

Säkerhetssymboler

Signalorden Fara, Varning och Varsamhet har följande betydelser:

FARA	Indikerar en överhängande farlig situation som – om den inte undviks – kommer att leda till dödsfall eller allvarlig personskada.
VARNING	Indikerar en farlig situation som – om den inte undviks – kan leda till dödsfall eller allvarlig personskada.
OBSERVERA	Indikerar en farlig situation som – om den inte undviks – kan leda till lindrig eller måttlig personskada.

Personliga försiktighetsåtgärder och utbildning

Endast behörig och utbildad personal får använda maskinen eller utföra underhåll på den. Personalen måste orka hantera verktygets volym, vikt och kraft. Använd alltid sunt förnuft och gott omdöme.

Personlig skyddsutrustning

Använd alltid godkänd skyddsutrustning. Maskinanvändarna och alla andra personer som vistas inom arbetsområdet måste bära minst följande skyddsutrustning:

- > Skyddshjälm
- > Hörselskydd
- > Slagtåliga skyddsglasögon med sidoskydd

- > Andningskydd, vid behov
- > Skyddshandskar
- > Lämpliga skyddsskor
- > Lämplig arbetsoverall eller liknande kläder (inte lämpliga kläder som täcker armar och ben).

Droger, alkohol eller läkemedel

▲ **VARNING** Droger, alkohol eller läkemedel

Droger, alkohol och läkemedel kan påverka ditt omdöme och koncentrationsförmåga. Dålig reaktionsförmåga och felbedömningar kan leda till allvarliga olyckor eller dödsfall.

- ▶ Använd inte maskinen när du är trött eller påverkad av alkohol, droger eller läkemedel.
- ▶ Personer som är påverkad av alkohol, droger eller läkemedel får inte använda maskinen.

Installation, säkerhetsåtgärder

▲ **FARA** Kastande luftslang

En tryckluftsslang som lossnar kan kastas runt och leda till personskador eller dödsfall. För att minska risken för detta:

- ▶ Kontrollera att tryckluftsslagen och anslutningarna inte är skadade, byt ut vid behov.
- ▶ Kontrollera att alla tryckluftsanslutningar är riktigt anslutna.
- ▶ Bär aldrig en tryckluftsmaskin i luftslangen.
- ▶ Försök aldrig koppla isär en tryckluftsslang som är trycksatt. Stäng först av tryckluftsförsörjningen på kompressorn och avlufta sedan maskinen genom att aktivera start- och stoppanordningen.
- ▶ Rikta aldrig en tryckluftsslang mot dig själv eller någon annan. För att undvika risken för personskador ska tryckluft inte användas för att blåsa bort till exempel damm, smuts och liknande från kläderna.
- ▶ Använd inte snabbkopplingar till verktygsfästet. Använd härdade slanganslutningar med stålgångor (eller material med motsvarande stöthållfasthet).
- ▶ Vid användning av universalvridkopplingar (klokkopplingar) rekommenderas montering av låssprintar samt användning av säkerhetsvagnar för att skydda vid eventuella fel på anslutningen mellan slang och verktyg eller mellan slangar.

▲ VARNING Utslungat insatsverktyg

Om maskinens verktygshållare inte är låst kan insatsverktyget kastas ut med stor kraft och förorsaka personsador.

- ▶ Starta inte maskinen under byte av insatsverktyg.
- ▶ Stanna maskinen, stäng av strömförsörjningen och lufta maskinen genom att aktivera start- och stoppanordningen innan byte av insatsverktyg eller tillbehör sker.
- ▶ Rikta inte insatsverktyget mot dig själv eller någon annan.
- ▶ Se till att insatsverktyget är ordentligt monterat och att verktygshållaren är låst innan maskinen startas.
- ▶ Kontrollera låsfunktionen genom att dra insatsverktyget utåt med kraft.

▲ VARNING Rörligt/löst insatsverktyg

En felaktig dimension på insatsverktygets nacke kan leda till att insatsverktyget tappas eller glider ur under användningen. Risk för allvarliga skador eller klämskador på fingrar och händer.

- ▶ Kontrollera att nacken på insatsverktyget har rätt dimensioner för maskinen som ska användas.
- ▶ Insatsverktyg utan krage får inte användas.

Drift, säkerhetsåtgärder**▲ FARA Explosionsrisk**

Om ett varmt insatsverktyg kommer i kontakt med ett sprängämne kan en explosion inträffa. Vid arbete på vissa material och användning av vissa material i maskindelar kan gnistbildning eller antändning förekomma. Explosioner kan orsaka allvarliga personsador eller dödsfall.

- ▶ Använd aldrig maskinen i explosiva miljöer.
- ▶ Använd inte maskinen nära brännbara material, ångor eller damm.
- ▶ Kontrollera att det inte finns några okända gaskällor eller sprängämnen i närheten.
- ▶ Borra aldrig i ett gammalt hål.

▲ VARNING Oförutsedda rörelser

Insatsverktyget utsätts för hög belastning när maskinen används. Insatsverktyget kan gå sönder på grund av materialutmattning efter en viss tids användning. Om insatsverktyget går sönder eller faller ut kan det orsaka plötsliga eller våldsamma kast som kan orsaka personsador. Dessutom kan skador uppstå om du tappar balansen eller halkar.

- ▶ Se till att du alltid står stabilt med fötterna lika brett isär som dina axlar och med kroppen i balans.
- ▶ Kontrollera alltid utrustningen före användning. Använd inte utrustningen om du misstänker att den är skadad.
- ▶ Se till att handtagen är rena och fria från smörjfett och olja.
- ▶ Håll fötterna på avstånd från insatsverktyget.
- ▶ Stå stadigt och håll alltid i maskinen med bägge händerna.
- ▶ Borra aldrig i ett gammalt hål.
- ▶ Starta inte maskinen när den ligger på marken.
- ▶ Sitt inte gränsle över maskinen med ena benet över handtaget.
- ▶ Slå inte på eller på annat sätt missbruka utrustningen.
- ▶ Kontrollera regelbundet att insatsverktyget inte är slitet och kontrollera om det finns några tecken på skador eller synliga sprickor.
- ▶ Var uppmärksam och fokuserad på arbetsuppgiften.

▲ VARNING Risk för roterande maskin

Om verktyget fastnar under drift kommer hela maskinen att börja rotera om du förlorar greppet om den. Denna oväntade rotation av hela maskinen kan orsaka allvarliga personsador eller dödsfall.

- ▶ Stå stadigt och håll alltid i maskinen med båda händerna.
- ▶ Se till att handtaget/handtagen är rena och fria från smörjfett och olja.
- ▶ Borra aldrig i ett gammalt hål.

▲ VARNING Risk för att föremål fastnar

Halssmycken, hår, handskar och kläder kan fastna eller dras in i roterande insatsverktyg eller tillbehör. Detta kan orsaka kvävning, slit- och skärsår eller dödsfall. För att minska risken:

- ▶ Ta aldrig tag i eller rör vid roterande delar.
- ▶ Undvik att bära kläder, halssmycken eller handskar som kan fastna.
- ▶ Använd hårnät om du har långt hår.

▲ VARNING Faror med damm och ångor

Damm och/eller ångor som uppstår eller sprids vid användning av maskinen kan orsaka allvarliga permanenta sjukdomar i andningsvägar, andra sjukdomar eller fysiska skador (till exempel silikos lungsjukdomar, cancer, fosterskador och/eller hudinflammationer).

Vissa typer av damm och ångor som uppstår vid borring, brytning, hamrande, sågning, slipning eller andra byggrelaterade aktiviteter innehåller substanser som enligt Staten Kalifornien och andra myndigheter kan orsaka sjukdomar i andningsvägar, cancer, fosterskador eller andra fortplantningsskador. Några exempel på sådana kemikalier är:

- > Kristallin kiseldioxid, cement och andra produkter för murning.
- > Arsenik och krom från kemiskt behandlat gummi.
- > Bly från blybaserade målarfärger.

Damm och ångor i luften kan vara osynliga för blotta ögat. Lita därför inte på att kunna avgöra om det finns damm eller ångor i luften med bara ögats hjälp.

Vidta samtliga följande åtgärder för att minska risken för exponering för damm och ångor:

- ▶ Gör en platspecifik riskbedömning. Riskbedömningen bör inkludera damm och ångor orsakade av användning av maskinen samt eventuella störningar från existerande damm.
- ▶ Använd lämpliga tekniska kontrollåtgärder för att minimera mängden damm och ångor i luften och minimera påbyggnad på utrustning, ytor, kläder och kroppsdelar. Exempel på kontrollåtgärder innefattar utsugsventilation och dammuppsamlare, vattenspray och våtbörning. Kontrollera om möjligt damm och ångor vid källan. Se till att tekniska åtgärder införs, upprätthålls och används på korrekt sätt.
- ▶ Se till att bära, underhålla och använda andningsskydd på korrekt sätt, i enlighet med arbetsgivarens instruktioner och gällande arbetsmiljöbestämmelser. Andningsskyddet måste ge ett effektivt skydd för det aktuella ämnet (och i förekommande fall vara godkänt av berörd myndighet).
- ▶ Arbeta i väl ventilerade utrymmen.
- ▶ Om maskinen är försedd med utblås bör detta riktas så att störningarna från damm i dammfyllda miljöer reduceras.
- ▶ Använd och underhåll maskinen i enlighet med rekommendationerna i säkerhetsinstruktioner och bruksanvisning.

- ▶ Välj, underhåll samt byt ut förbrukningsartiklar/insatsverktyg/övriga tillbehör enligt rekommendationerna in säkerhetsinstruktioner och bruksanvisning. Felaktigt val eller bristande underhåll på förbrukningsvaror/insatsverktyg/övriga tillbehör kan leda till en onödig ökning av mängden damm eller ångor.
- ▶ Använd tvättbara skyddskläder eller skyddskläder för engångsbruk på arbetsplatsen. Duscha och byt om till rena kläder innan du lämnar arbetsplatsen för att minska exponering för damm och ångor för såväl dig själv som andra personer, i bilar, hem samt andra platser.
- ▶ Undvik att äta, dricka eller använda tobaksprodukter på platser med damm och ångor.
- ▶ Tvätta händer och ansikte så snart som möjligt när du lämnar exponeringsområdet och alltid innan du äter, dricker, använder tobaksprodukter eller har kontakt med andra människor.
- ▶ Följ alla tillämpliga lagar och bestämmelser, inklusive arbetsmiljöbestämmelser.
- ▶ Delta i övervakning av luftkvaliteten, medicinska undersökningar samt arbetsmiljöutbildningar som erbjuds av arbetsgivaren eller branschorganisationer i enlighet med arbetsmiljöbestämmelser och -rekommendationer. Rådgör med läkare med relevant kompetens i yrkesmedicin.
- ▶ Arbeta tillsammans med arbetsgivaren och branschorganisationen för att minska exponeringen för damm och ångor på arbetsplatsen och minska riskerna. För att skydda arbetstagare och andra mot skadlig exponering av damm och ångor bör effektiva arbetsmiljöprogram, riktlinjer och metoder tas fram och implementeras, baserade på råd från arbetsmiljöexperter. Rådgör med experter.

▲ **VARNING** Kringflygande föremål

Defekter i arbetsmaterialet, i tillbehör eller till och med i själva maskinen kan leda till att det finns risk för kringflygande föremål. Under användning kan flisor eller andra föremål från arbetsmaterialet flyga utåt och orsaka personskador genom att träffa maskinanvändaren eller andra personer. För att minska dessa risker:

- ▶ Använd godkänd personlig skyddsutrustning och skyddshjälm, inklusive slagtåliga skyddsglasögon med sidoskydd.
- ▶ Håll obehöriga personer på avstånd från arbetsområdet.
- ▶ Håll arbetsplatsen ren och fri från främmande föremål.
- ▶ Se till att arbetsmaterialet är ordentligt säkrat.

▲ **VARNING** Risk för flisor

Om insatsverktyget används som slagverktyg kan flisor träffa användaren och orsaka personskador.

- ▶ Använd aldrig insatsverktyg som slagverktyg. Dessa är specialdesignade och värmebehandlade för att endast användas i en maskin.

▲ **VARNING** Risk för halk-, snubbel- och fallolyckor

Det finns risk för halk-, snubbel- eller fallolyckor, användaren kan till exempel snubbla över slangar eller andra föremål. Halk-, snubbel- och fallolyckor kan orsaka skador. För att minska risken för detta:

- ▶ Se alltid till att inga slangar eller andra föremål ligger i vägen för dig eller någon annan person.
- ▶ Se till att alltid stå stabilt med fötterna lika brett isär som dina axlar och med kroppen i balans.

▲ **VARNING** Risker vid rörelser

När maskinen används för att utföra arbetsrelaterade aktiviteter kan det hända att du upplever obehag i händer, armar, axlar, nacke eller andra delar av kroppen.

- ▶ Stå i en bekväm ställning med fötterna säkert placerade. Undvik onormala ostadiga kroppsställningar.
- ▶ Byte av kroppsställning kan vara ett sätt att undvika obehag och trötthet under utdragna arbetsuppgifter.
- ▶ Rådgör med kvalificerad hälso- och sjukvårdspersonal vid ihållande eller återkommande symptom.

▲ VARNING Vibrationsfaror

Normal och korrekt användning av maskinen utsätter användaren för vibrationer. Regelbunden och frekvent exponering för vibrationer kan orsaka, bidra till eller förvärra skador eller problem i användarens fingrar, händer, handleder, armar, Crowder Supply eller nerver och blodtillförsel eller andra kroppsdelar.

Detta omfattar försvagningar och/eller permanenta skador eller problem som kan utvecklas gradvis under flera veckor, månader eller år. Sådana skador, eller problem, kan omfatta skador på blodomlopp, nervsystem och leder, men även på andra kroppsstrukturer.

Sluta använda maskinen, underrätta din arbetsgivare och kontakta läkare vid besvär med ihållande återkommande obehag, brännande känslor, stelhet, bultande, domningar, stickningar, värk, försämrad finmotorik eller greppförmåga, om huden vitnar eller andra symptom uppstår vid användning av maskinen eller efter användning av maskinen. Fortsatt användning av maskinen när sådana symptom uppstår kan öka risken för att symptomen förvärras och/eller blir bestående.

Använd och underhåll maskinen enligt rekommendationerna i dessa instruktioner för att undvika onödiga vibrationsökningar.

Följande åtgärder kan bidra till att minska risken för att användaren utsätts för vibrationer:

- ▶ Låt maskinen göra jobbet. Håll inte hårdare i handtaget än vad som behövs för kontroll och säker drift.
- ▶ Om maskinen har vibrationsdämpande handtag, håll dessa i central position och undvika att trycka in handtagen i ändstoppen.
- ▶ När slagmekanismen är aktiverad ska ingen annan del av kroppen komma i kontakt med maskinen förutom dina händer på handtaget/handtagen. Du bör till exempel inte stödja någon del av kroppen mot maskinen eller luta dig mot den för att försöka öka matningskraften. Det är dessutom viktigt att inte hålla inne start- och stoppanordningen när man drar ut insatsverktyget från det krossade materialet.
- ▶ Se till att insatsverktyget är i bra skick (samt att det är vasst om det är ett skärverktyg), har rätt storlek och inte är utslitet. Insatsverktyg som inte underhålls på rätt sätt, som är utslitna eller som har fel storlek gör att arbetet tar längre tid (vilket medför längre exponering för vibrationer) och kan resultera i eller bidra till att användaren utsätts för mer vibrationer.

▶ Sluta arbetet omedelbart om maskinen plötsligt börjar vibrera våldsamt. Ta reda på orsaken till de ökade vibrationerna och åtgärda felet innan du återupptar arbetet.

▶ Du får inte ta tag i, hålla i eller vidröra insatsverktyget medan maskinen är igång.

▶ Delta i hälsokontroller, medicinska undersökningar och utbildningsprogram när arbetsgivaren erbjuder det eller när lagen kräver det.

▶ Bär varm klädsel och se till att hålla händerna varma och torra vid arbete under kalla förhållanden.

Se maskinens "Buller- och vibrationsdeklaration", inklusive de deklarerade vibrationsvärdena. Denna information återfinns i slutet av denna Säkerhetsinstruktion och bruksanvisning.

◆ Använd rekommenderat lufttryck vid användning av maskinen. Såväl högre som lägre lufttryck kan leda till ökade vibrationer.

▲ FARA Elektriska faror

Maskinen är inte elektriskt isolerad. Om maskinen kommer i kontakt med elektricitet kan allvarliga personskador eller dödsfall inträffa.

- ▶ Använd inte maskinen i närheten av elledningar eller andra elektriska källor.
- ▶ Säkerställ att det inte finns några dolda ledningar eller andra elektriska källor i arbetsområdet.

▲ VARNING Faror med dolda föremål

Under drift kan dolda ledningar och rör utgöra en fara som kan leda till allvarliga personskador.

- ▶ Kontrollera materialets sammansättning innan du påbörjar arbetet.
- ▶ Se upp för dolda ledningar och rör, exempelvis som el, telefon, vatten, gas och avlopp.
- ▶ Stäng omedelbart av maskinen om insatsverktyget verkar ha slagit emot ett dolt föremål.
- ▶ Påbörja inte arbetet igen förrän det är riskfritt att fortsätta.

▲ VARNING Oavsiktlig start

Oavsiktlig start av maskinen kan leda till personskador.

- ▶ Håll händerna borta från start- och stoppanordningen tills arbetet skall påbörjas.
- ▶ Lär dig hur man stänger av maskinen i händelse av nödfall.
- ▶ Släpp omedelbart start- och stoppanordningen vid avbrott i strömförsörjningen.
- ▶ Vid montering/demontering av insatsverktyg, stäng av tryckluftsförsörjningen, lufta maskinen genom att trycka in start- och stoppanordningen samt koppla ifrån maskinen från strömkällan.

▲ VARNING Risker med buller

Höga ljudnivåer kan orsaka permanenta hörselskador och andra problem som tinnitus (ringande, surrande, visslande eller brummande ljud i öronen). För att minska risken och undvika onödigt förhöjda ljudnivåer:

- ▶ Gör en riskbedömning av dessa risker och inför lämpliga kontroller.
- ▶ Använd och underhåll maskinen i enlighet med rekommendationerna i denna instruktionsbok.
- ▶ Använd, underhåll och byt ut insatsverktyget i enlighet med rekommendationerna i denna instruktionsbok.
- ▶ Om maskinen är försedd med ljuddämpare, kontrollera att denna sitter på plats och är i gott skick.
- ▶ Använd alltid hörselskydd.
- ▶ Använd dämpande material för att förhindra att arbetsmaterialet avger ett "ringande" ljud.

Underhåll, säkerhetsåtgärder

▲ VARNING Maskinmodifieringar

Eventuella modifieringar av maskinen kan leda till att du själv eller andra personer skadas.

- ▶ Modifiera inte maskinen. Modifierade maskiner omfattas inte av garantin eller tillverkarens produktansvar.
- ▶ Använd endast godkända reservdelar, insatsverktyg och tillbehör.
- ▶ Byt omedelbart ut skadade delar.
- ▶ Byt ut slitna delar i god tid.

▲ OBSERVERA Varmt insatsverktyg

Spetsen på insatsverktyget kan bli varmt och vasst under användning. Att vidröra spetsen kan leda till bränn- eller skärskador.

- ▶ Ta inte på ett varmt eller vasst insatsverktyg.
- ▶ Vänta tills insatsverktyget har svalnat innan du utför något underhåll på maskinen.

▲ VARNING Faror med insatsverktyget

Oavsiktlig aktivering av start- och stoppanordningen vid underhållsarbete eller montering kan orsaka allvarliga skador när strömkällan ansluts.

- ▶ Tänk på att aldrig inspektera, rengöra, montera eller demontera insatsverktyget när strömkällan är ansluten.

Förvaring, säkerhetsåtgärder

- ◆ Förvara maskiner och verktyg på en säker, låst plats utom räckhåll för barn.

Översikt

För att minska risken för allvarliga personskador eller till och med dödsfall ska du läsa avsnittet med säkerhetsinstruktionerna på de föregående sidorna i denna bruksanvisning innan du använder maskinen.

Konstruktion och användningsområde

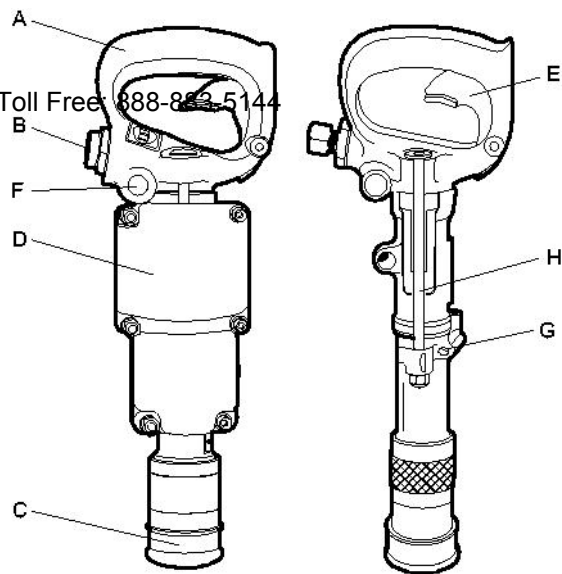
CP 0009 och CP 0014 är kombinerade borrar- och brytningsmaskiner avsedda för horisontell och vertikal användning.

CP 0009 är utrustad med en snabbhållare och har högerrotation. Maskinen kan anpassas för borrar eller brytning genom byte av insatsverktyg eller genom frikoppling av rotationen, beroende på modell. Exempel på användning innefattar borrar, brytning och drivning i betong eller tegel. Ingen annan användning är tillåten.

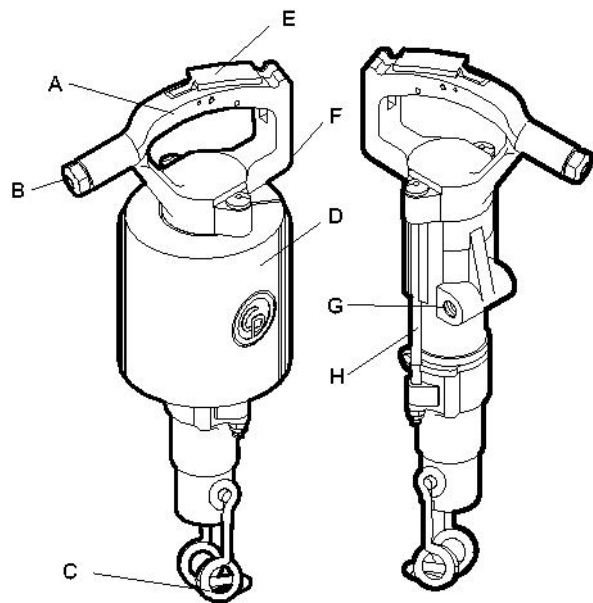
CP 0014 är utrustad med en hållare av fjädertyp och har högerrotation. Maskinen kan anpassas för borrar eller brytning genom frikoppling av rotationen. Exempel på användningsområden som bergbormaskin är borrar i granit, betong, kalksten och tegel eller andra liknande material. Som hammare kan den användas för brytning och drivning i betong eller tegel. Ingen annan användning är tillåten.

Se reservdelslistan för val av rätt insatsverktyg.

Maskinens huvuddelar



CP 0009



CP 0014

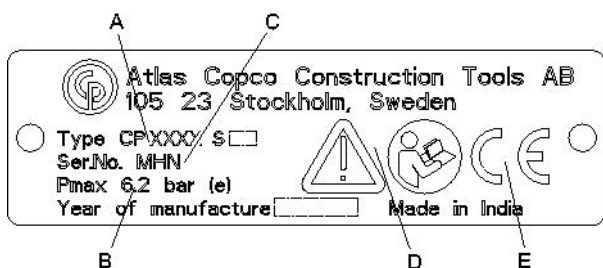
- A. Handtag
- B. Luftnippel
- C. Verktygshållare
- D. Ljuddämpare
- E. Trycke
- F. Smörjapparat
- G. Frikoppling av rotation

H. Genomgående bult

Dekaler

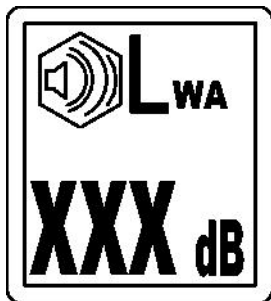
Maskinen är försedd med dekaler. www.CrowderSupply.com • Toll Free: 888-883-5144
 viktig information om personlig säkerhet och maskinunderhåll. Dekalerna ska vara i sådant skick att de enkelt kan läsas. Nya dekaler kan beställas med hjälp av reservdelslistan.

Typskylt



- Modell
- Maximalt tillåtet lufttryck
- Serienummer
- Varningsymbol ihop med boksymbol innebär att användaren ska läsa igenom säkerhetsinstruktionen och bruksanvisningen innan maskinen används för första gången.
- CE-symbolen betyder att maskinen är EG-godkänd. Se den EG-deklaration som medföljer maskinen för närmare information. Om CE-symbolen saknas betyder att maskinen inte är EG-godkänd.

Ljudnivådekal



Dekalen anger den garanterade ljudnivån i enlighet med EU-direktiv 2000/14/EG. Se "Teknisk specifikation" för rätt ljudnivå.

Säkerhetsdekal



För att undvika skador bör du läsa och förstå separat bifogade säkerhetsinstruktioner innan du använder eller underhåller verktyg.

Installation

Uppackning av bormaskinen

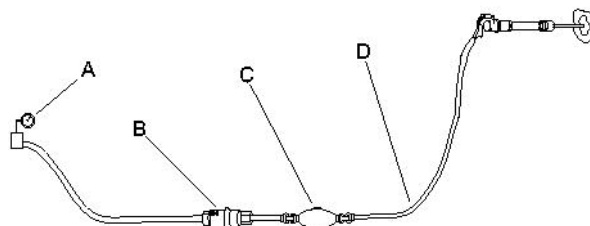
Plastskydd

Innan bormaskinen används första gången ska alla plastskydd avlägsnas från slangnipplarna.

Smörjning

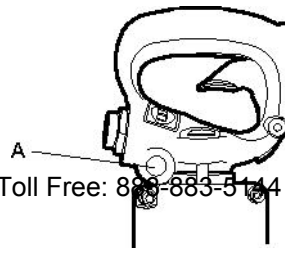
Efter uppackning och montering av verktyget, håll en riklig mängd smörjolja i luftanslutningen.

Slangar och anslutningar



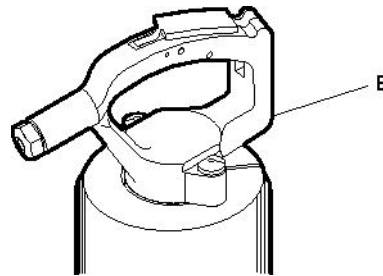
- Tryckluftskälla
 - Vattenavskiljare (tillval)
 - Smörjapparat (tillval)
 - Max 10 feet (3 meter) tryckluftsslang mellan smörjapparaten och maskinen.
- ♦ Kontrollera att du använder det rekommenderade arbetstrycket på 87 psig (6 bar (e)).
 - ♦ Det högsta tillåtna lufttrycket 90 psig (6,2 bar (e)) får ej överskridas.
 - ♦ Blås ur eventuella föroreningar ur tryckluftsslangen innan du ansluter den till maskinen.

- ◆ Välj rätt dimension och längd på tryckluftsslagen. Använd en slang med en innerdiameter på minst $\frac{3}{4}$ " (19 mm) för slanglängder upp till 100 feet (30 meter). För slanglängder på 100 till 330 feet (30 till 100 meter) ska en slang med en innerdiameter på minst 1" (25 mm) användas.



CP 0009

Avlägsna pluggen (A), mätta filten och fyll oljebehållaren med rekommenderad olja dagligen före arbetspasset samt efter var fjärde timmas användning.



CP 0014

Avlägsna pluggen (B) och fyll oljebehållaren med rekommenderad olja dagligen före arbetspasset samt efter var fjärde timmas användning.

Åtgärder för att förhindra frysning

Isbildning i ljuddämparen kan uppstå om temperaturen på omgivningsluften är 32-50 °F (0-10°C) och den relativa luftfuktigheten är hög.

Maskinen är utformad för att motverka isbildning i ljuddämparen. Trots detta kan det bildas is i ljuddämparen under extrema förhållanden.

Använd en vattenavskiljare för att ytterligare motverka risken för isbildning.

Ansluta en vattenavskiljare

Luftslangen mellan kompressorn och vattenavskiljaren måste vara så lång att vattenångan kyls och kondenseras i slangen innan den når vattenavskiljaren.

Vid en omgivningstemperatur under 32 °F (0 °C) skall slangen vara så kort att vattnet inte hinner frysa innan det når vattenavskiljaren.

Smörjning

Smörjmedlet är viktigt för maskinens funktion och har stor inverkan på maskinens livslängd.

Indikationer på korrekt smörjning är förekomst av oljedimma i utloppsluften samt små spår av olja på nacken på borsten eller adaptern. Användning av för mycket smörjmedel kan medföra startproblem, låg effekt eller att maskinen går ojämnt.

Den inbyggda smörjaren måste för att tillhandahålla rätt oljevolymer kontrolleras och fyllas på regelbundet. Dessutom rekommenderas användning av en smörjapparat för luftledning för att garantera konstant och tillräcklig tillförsel av smörjmedel.

Rekommenderat smörjmedel: Olja för bergbormaskiner med en viskositet på 100-150 SUS vid 100°F (ISO VG 22–32).

Insatsverktyg

▲ OBSERVERA Varmt insatsverktyg

Spetsen på insatsverktyget kan bli varmt och vasst under användning. Att vidröra spetsen kan leda till bränn- eller skärskador.

- Ta inte på ett varmt eller vasst insatsverktyg.
- Vänta tills insatsverktyget har svalnat innan du utför något underhåll på maskinen.

Välja rätt insatsverktyg

Rätt insatsverktyg är en förutsättning för att maskinen ska fungera bra. För att undvika onödiga skador på maskinen är det viktigt att välja insatsverktyg av hög kvalitet.

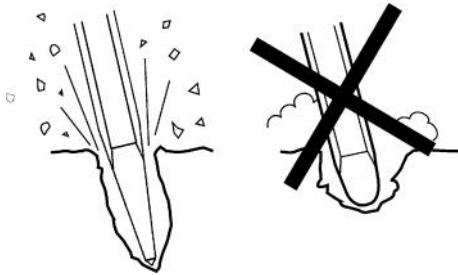
Maskinen kan gå sönder om du använder fel insatsverktyg.

Rekommenderade insatsverktyg finns angivna i maskinens reservdelslista.

▲ VARNING Vibrationsfaror

Insatsverktyg som inte möter de nedanstående kraven gör att arbetet tar längre tid att utföra och kan leda till ökade vibrationer. Slitna insatsverktyg gör dessutom att arbetet tar längre tid.

- ▶ Se till att insatsverktyget är av rätt storlek och har rätt utslit och har rätt storlek.
- ▶ Använd alltid vassa insatsverktyg för att arbeta effektivt.



OBS! Kyl inte ett varmt insatsverktyg i vatten då detta kan försvaga verktyget och orsaka förtida fel.

▲ VARNING Utslungat insatsverktyg

Om huvan på maskinen inte är låst kan insatsverktyget kastas ut med stor kraft och förorsaka personskador.

- ▶ Vid byte av insatsverktyg – stäng av maskinen och tryckluftsförsörjningen och avlufta maskinen genom att aktivera start- och stoppanordningen.

Innan borrarstålet monteras på plats

Kontrollera att verktygets nacke har rätt storlek och längd för den borrhylsa som används. Nacken måste vara ren och insatsverktyget måste vara i gott skick. Nackar som är kantstötta, avrundade, har förlorat sin fyrkantsform eller är för hårda på anslagsänden fungerar ineffektivt och gör att kolven går sönder i förtid.

Kontrollera borrarstålet:

Slöa borrarstål saktar ned borrhastigheten och överbelastar bormekanismen. Vid byte av borrarstål är det viktigt att kontrollera att det nya borrarstålet har rätt storlek för att passa till det tidigare borrhålet.

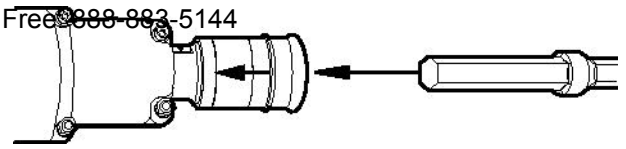
Kontrollera att spolhålet i borrarstålet inte är igensatt innan borringen påbörjas.

Om grader skulle uppstå vid de fyra kulskålarna i borrarstålens nacke, polera dessa jämna. Detta gör det lättare att sätta i och ta ur borrarstålet och gör också så att chucken arbetar mer effektivt.

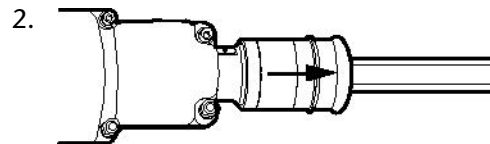
Montering av insatsverktyget

Vid montering/demontering av insatsverktyg måste följande instruktioner iakttagas:

CP 0009



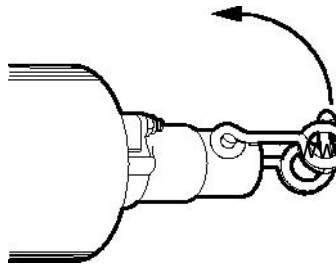
Dra tillbaka verktygshållaren i pilens riktning och håll den, för samtidigt in insatsverktyget i chucken.



När insatsverktyget bottenar, för verktygshållaren bakåt för att låsa den. Kontrollera låsfunktionen genom att dra insatsverktyget utåt med kraft.

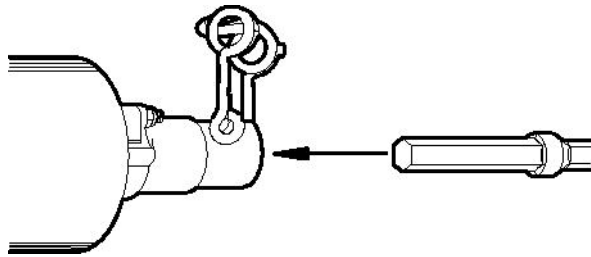
CP 0014

1.



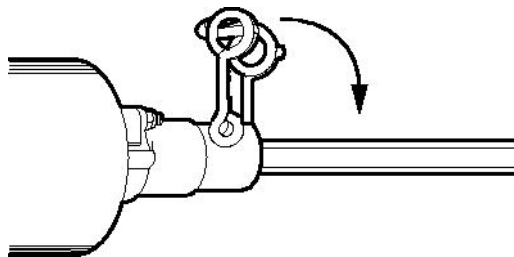
Tryck verktygshållaren uppåt i pilens riktning.

2.



För in insatsverktyget i chucken.

3.

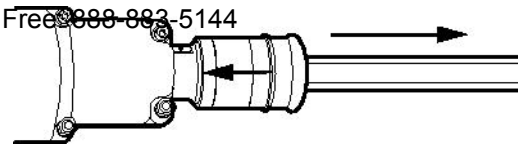


När insatsverktyget bottenar, för verktygshållaren bakåt för att låsa den.

Demontering av insatsverktyget

Vid demontering av insatsverktyg måste följande instruktioner iakttas:

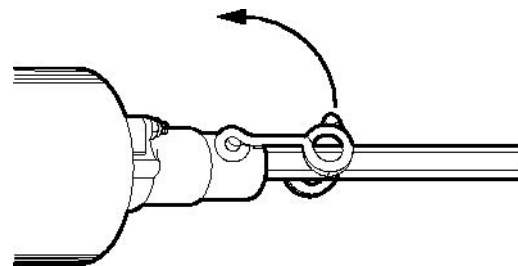
CP 0009



Dra tillbaka verktygshållaren i pilens riktning och håll den, dra samtidigt ut och avlägsna insatsverktyget.

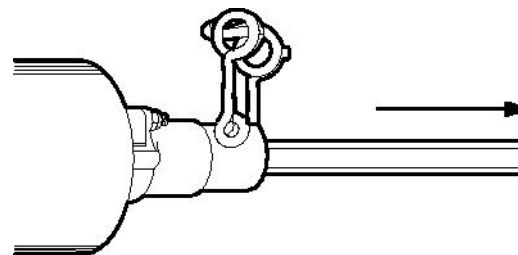
CP 0014

1.



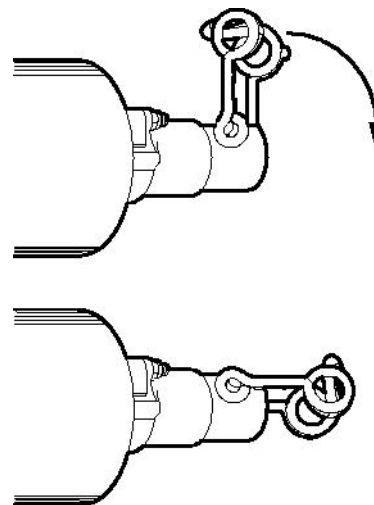
Tryck verktygshållaren uppåt i pilens riktning.

2.



Dra ut insatsverktyget.

3.



För tillbaka verktygshållaren.

Drift

Åtgärder före start

Kontrollera borrarutrustningen

- ◆ Kontrollera att all borrarutrustning är i gott skick.
- ◆ Kontrollera att borrarstålsnackens slagyta är plan och utan tecken på slitage.
- ◆ Se till att luftintaget och utloppsportarna inte är tilltäppta.
- ◆ Kontrollera att spolvålen i borrarstålet och borraröret inte är blockerade och att spolvatten/spolluft flödar igenom utan hinder
- ◆ Se till att anslutningarna är täta och läckagesäkra.

▲ FARA Kastande luftslang

En tryckluftsslang som lossnar kan kastas runt och leda till personskador eller dödsfall.

- ▶ Kontrollera att tryckluftsslangen och anslutningarna inte är skadade.
- ▶ Kontrollera att alla tryckluftsanslutningar är riktigt anslutna.

Blås ur luftslangen

- ◆ Varje dag innan borren används ska luftslangen blåsas ur för att rengöra den från samlad smuts och fukt.

Fyll smörjapparaten med olja

- ◆ Kontrollera att borbussningen och borrarstålsnacken alltid är täckta med en oljefilm.

Start och stopp

▲ VARNING Oavsiktlig start

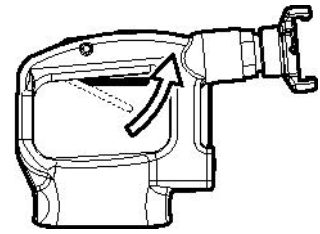
Oavsiktlig start av maskinen kan leda till personskador.

- ▶ Håll händerna borta från start- och stoppanordningen tills arbetet skall påbörjas.
- ▶ Lär dig hur man stänger av maskinen i händelse av nödfall.
- ▶ Stanna maskinen omedelbart i händelse av störningar i strömförsörjningen.

Start och stopp

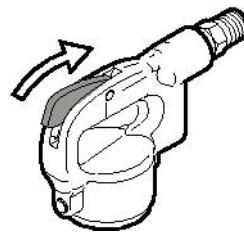


CP 0014

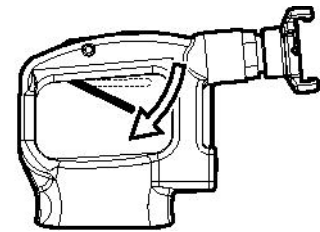


CP 0009

Starta maskinen genom att hålla stadigt i handtaget och pressa ner trycket.



CP 0014



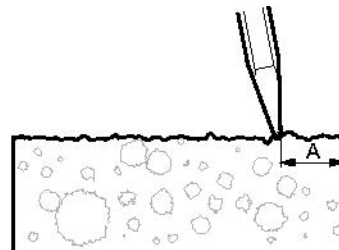
CP 0009

Stoppa maskinen genom att släppa trycket. Trycket återgår automatiskt till stoppläget.

Drift

Påbörja skärbrevet

- ◆ Stå stadigt med fötterna på säkert avstånd från insatsverktyget.
- ◆ Tryck maskinen mot arbetsytan innan du börjar.
- ◆ Gör ansättning på sådant avstånd från kanten att maskinen förmår spräcka materialet utan brytning.
- ◆ Försök aldrig ta loss för stora bitar. Anpassa brytavståndet (A) så att insatsverktyget inte fastnar.



Brytning och borrar

- ◆ Använd skyddsskor, handskar, hjälm, hörselskydd och slagtåliga skyddsglasögon med sidoskydd.
- ◆ Undvik att arbeta i extremt hårda material som till exempel granit och armeringsjärn eftersom de kan orsaka kraftiga vibrationer.
- ◆ Kontrollera regelbundet att maskinen är välsmord.
- ◆ Trycket får inte aktiveras då maskinen saknar matningstryck.
- ◆ Undvik alla former av tomgångskörning, drift utan insatsverktyg eller drift utan matningstryck.
- ◆ Stå stadigt och håll alltid maskinen med båda händerna.
- ◆ Håll insatsverktyget stadigt mot arbetsytan innan du startar maskinen.
- ◆ Låt maskinen göra jobbet. Tryck inte för hårt.

När du tar rast

- ◆ Vid rast skall maskinen placeras så att den inte startas av misstag.
- ◆ Vid längre raster eller om du lämnar arbetsplatsen: Stäng av strömförsörjningen och lufta sedan maskinen genom att aktivera start- och stoppanordningen.

Underhåll

Regelbundet underhåll är en förutsättning för att maskinen ska fortsätta vara säker och effektiv att använda. Följ underhållsinstruktionerna noggrant.

- ◆ Rengör maskinen före underhållsarbeten för att undvika att utsättas för skadliga ämnen. Se "Faror med damm och ångor"
- ◆ Använd endast originaldelar. Eventuella skador eller fel som uppstår genom användning av ej godkända delar täcks inte av garantin eller tillverkarens produktansvar.
- ◆ Följ gällande föreskrifter för hälsa och säkerhet och söj för god ventilation vid rengöring av mekaniska delar med lösningsmedel.
- ◆ Kontakta din närmaste auktoriserade verkstad för mer omfattande service av maskinen.

- ◆ Kontrollera att maskinens vibrationsnivå är normal efter varje servicetillfälle. Vid onormal vibrationsnivå kontakta din närmaste auktoriserade verkstad.

Dagligen

Stäng alltid av tryckluftförsörjningen och lufta maskinen genom att trycka in start- och stoppanordningen innan du utför underhåll eller byter insatsverktyg på tryckluftsmaskiner. Koppla därefter bort luftslangen från maskinen.

- ◆ Rengör och kontrollera maskinen och dess funktioner dagligen innan arbetet börjar.
- ◆ Genomför en allmän inspektion för att identifiera eventuella läckor eller skador.
- ◆ Kontrollera att luftpipeln är åtdragen och att klokopplingen är oskadad.
- ◆ Kontrollera verktygshållarens funktion. Se till att den låser fast insatsverktyget.
- ◆ Byt omedelbart ut skadade delar.
- ◆ Byt ut slitna delar i god tid.
- ◆ Kontrollera alla genomgående bultar på maskinen. Se till att de är åtdragna.
- ◆ Om maskinen är utrustad med en ljuddämpare ska denna kontrolleras för eventuella skador.

Regelbundet underhåll

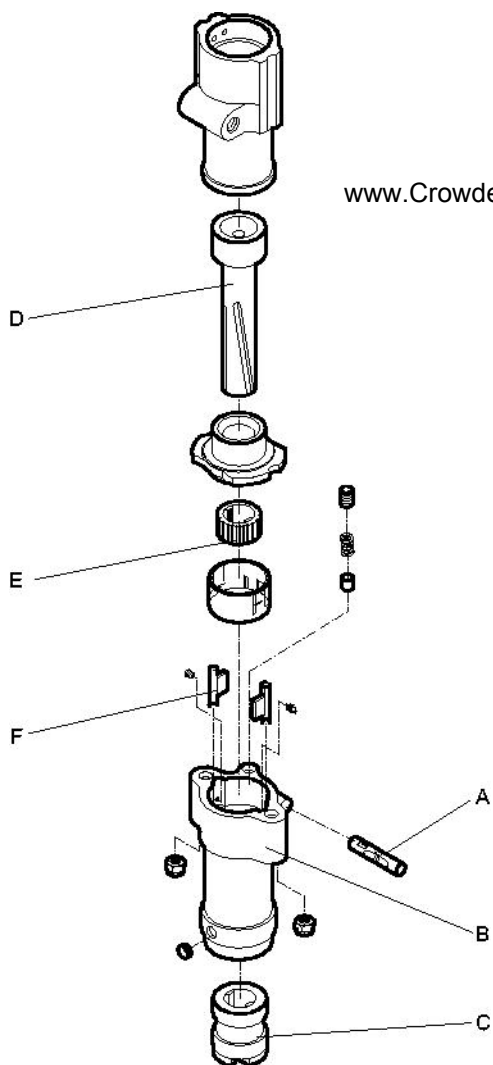
Efter varje driftsperiod om ungefär 100 arbetstimmar eller tre gånger om året måste maskinen tas isär och alla delar rengöras och kontrolleras. Detta arbete skall utföras av behörig personal som är utbildad för denna uppgift.

Åtdragningsmoment

CP 0009	Mutter för genomgående bult	12-14 ft.lbf (16-19 Nm)
CP 0014	Mutter för genomgående bult	20-23 ft.lbf (27-31 Nm)

Montering

lakta följande punkter vid montering av maskinen:



www.CrowderSupply.com • Toll Free: 888-883-5144

Förvaring

- > Rengör maskinen noga innan den läggs i förvaring för att undvika skadliga ämnen. Se "Faror med damm och ångor"
- > Håll cirka 1/2 oz (5 cl) olja direkt i luftpipeln, anslut maskinen till tryckluftsförsörjningen och kör den några sekunder.
- > Förvara alltid maskinen på en torr plats.

Kassering

En uttjänt maskin skall hanteras och kasseras på ett sådant sätt att största möjliga del av materialet kan återvinnas. All form av negativ inverkan på miljön skall i möjligaste mån undvikas och lokala begränsningar respekteras.

- ◆ Sätt i kolven för frikoppling av rotationen (A) i underdelen (B) innan borrhylsan monteras (C).
- ◆ Se till att det raka spåret på kolven (D) hakar i det raka spåret på borrhylsan (C) och att det spiralformade spåret på kolven (D) hakar i det spiralformade spåret på spärrhjulet (E).
- ◆ Montera spärrhjulet (E) i underdelen (B) så spärrkuggarnas plana del hakar i kanten på spärrarna (F).
- ◆ Dra åt de genomgående bultarna för att förebygga kärvning. Roterar chocken för hand efter åtdragning och kontrollera att den roterar fritt.

Tekniska specifikationer

Maskindata

www.CrowderSupply.com • Toll Free: 888-883-5144

Typ	Nacke in. (mm)	Vikt lb (kg)	Cylinderlopp in. (mm)	Slaglängd in. (mm)	Total längd in. (mm)	Luftförbrukning (6 bar) cfm (l/s)	Slaghastighet (6 bar) Hz (bpm)
CP 0009 A	Rund ¾ x ¾ (Rund 19 x 95)	8,82 (4,0)	1,25 (31,8)	1,38 (35)	14,76 (375)	19 (9)	57 (3420)
CP 0009 AC	Rund ¾ x ¾ (Rund 19 x 95)	8,82 (4,0)	1,25 (31,8)	1,38 (35)	14,76 (375)	19 (9)	57 (3420)
CP 0009 CS	Rund ¾ x ¾ (Rund 19 x 95)	10,14 (4,6)	1,25 (31,8)	1,38 (35)	14,76 (375)	19 (9)	57 (3420)
CP 0009 E	Rund ¾ - Sexkant ⅝ x ¾ (Rund 19 - Sexkant 14,7 x 89)	8,82 (4,0)	1,25 (31,8)	1,38 (35)	14,76 (375)	19 (9)	57 (3420)
CP 0009 ES	Rund ¾ - Sexkant ⅝ x ¾ (Rund 19 - Sexkant 14,7 x 89)	10,14 (4,6)	1,25 (31,8)	1,38 (35)	14,76 (375)	19 (9)	57 (3420)
CP 0009 F	spår	8,82 (4,0)	1,25 (31,8)	1,38 (35)	14,76 (375)	19 (9)	57 (3420)
CP 0014 RR	Sexkant ⅞ x ¾ (Sexkant 22 x 82,5)	14,77 (6,7)	1,87 (47,6)	1,38 (35)	18,50 (4720)	47 (22)	42 (2520)
CP 0014 RRBS	Sexkant ⅞ x ¾ (Sexkant 22 x 82,5)	15,87 (7,2)	1,87 (47,6)	1,38 (35)	18,50 (470)	47 (22)	42 (2520)

Buller- och vibrationsdeklaration

Garanterad ljudeffektnivå **L_w** enligt ISO 3744 i enlighet med direktiv 2000/14/EG.

Ljudtrycksnivå **L_p** enligt ISO 11203.

Vibrationsvärde **A** och osäkerhet **B** fastställt enligt ISO 20643. Se tabellen "Buller- och vibrationsdata" för värden på A, B etc.

Dessa deklarerade värdena har erhållits genom laboratorietester i enlighet med nämnda direktiv eller standarder och är lämpliga att jämföra med deklarerade värden för andra verktyg som testats i enlighet med samma direktiv eller standarder. Dessa deklarerade värden är inte lämpliga att använda vid riskbedömningar. Värden som uppmäts på enskilda arbetsplatser kan vara högre. De faktiska exponeringsvärdena och de skaderisker som en enskild användare utsätts för är unika och beror på personens arbetssätt, i vilket material maskinen används, användarens exponeringstid och fysiska kondition samt maskinens skick.

Atlas Copco Construction Tools AB kan inte hållas ansvarigt för konsekvenserna av att de deklarerade värdena används, istället för värden som återspeglar den faktiska exponeringen vid en enskild riskbedömning i en arbetsplatssituation över vilken Atlas Copco Construction Tools AB inte har någon kontroll.

Det här verktyget kan orsaka hand-/armvibrationssyndrom om det inte används på rätt sätt. En EU-guide som tar upp frågor om hand-/armvibrationer finns tillgänglig på <http://www.humanvibration.com/EU/VIBGUIDE.htm>

Vi rekommenderar någon form av hälsoövervakningsprogram för att upptäcka tidiga symptom som kan hänföras till exponering för vibrationer, så att åtgärder kan vidtas för att förebygga framtida försämring.

Buller- och vibrationsdata

Modell	Buller		Vibrationer	
	Deklarerade värden		Deklarerade värden	
	Ljudtryck	Ljudeffekt	Värden i tre riktningar	
	ISO 11203	2000/14/EG	ISO 20643	
	Lp r=1m dB(A) rel 20µPa	Lw garanterat dB(A) rel 1pW	A m/s ² värde	B m/s ² spridning
CP 0009 A (för brytning)	-	-	20,2	2,5
CP 0009 A (för borring)	-	-	21,2	2,6
CP 0009 AC (för brytning)	-	-	20,2	2,5
CP 0009 AC (för borring)	-	-	21,2	2,6
CP 0009 CS (för brytning)	88	103	20,2	2,5
CP 0009 CS (för borring)	88	103	21,2	2,6
CP 0009 E (för brytning)	-	-	20,2	2,5
CP 0009 E (för borring)	-	-	21,2	2,6
CP 0009 ES (för brytning)	88	103	20,2	2,5
CP 0009 ES (för borring)	88	103	21,2	2,6
CP 0009 F (för brytning)	-	-	20,2	2,5
CP 0009 F (för borring)	-	-	21,2	2,6
CP 0014 RR (för brytning)	-	-	35,4	4,5
CP 0014 RR (för borring)	-	-	45,3	5,2
CP 0014 RRBS (för brytning)	-	-	35,4	4,5
CP 0014 RRBS (för borring)	-	-	45,3	5,2

EG-deklaration om överensstämmelse

EG-deklaration om överensstämmelse (EG-direktiv 2006/42/EG)

www.CrowderSupply.com • Toll Free: 888-883-5144

Vi, Atlas Copco Construction Tools AB, försäkras härmed att nedanstående maskiner uppfyller bestämmelserna i EG-direktiv 2006/42/EG (Maskindirektivet).

Handhållna borrhämmare	Maxtryck (bar)
CP 0009 CS	6.2
CP 0009 ES	6.2

Auktoriserad representant för teknisk dokumentation:

Erik Sigfridsson
Atlas Copco Construction Tools AB
Dragonvägen 2
Kalmar

Produktbolagschef:

Erik Sigfridsson

Tillverkare:

Atlas Copco Construction Tools AB
105 23 Stockholm
Sweden

Ort och datum:

Kalmar, 2010-04-01

www.CrowderSupply.com • Toll Free: 888-883-5144

Crowder Supply Co., Inc. • 8495 Roslyn St., Commerce City, CO 80022 • Toll Free: 888-883-5144 • www.CrowderSupply.com



Chicago
Pneumatic

www.CrowderSupply.com • Toll Free: 888-883-5144

Crowder Supply Co., Inc. • 8495 Roslyn St., Commerce City, CO 80022 • Toll Free: 888-883-5144 • www.CrowderSupply.com

2010-04 | No. 9800 0547 90

© Copyright Atlas Copco Construction Tools AB | STOCKHOLM • SWEDEN